

# PARTS CATALOGUE



RSH



MDNM8

## CZD250-A ( BPW3 ) MALAYSIA

---

CZD250-A  
PARTS CATALOGUE  
©2024 by Yamaha Motor Co., Ltd.  
1st edition, March 2024  
All rights reserved.  
Any reprinting or unauthorized use  
without the written permission of  
Yamaha Motor Co., Ltd.  
is expressly prohibited.  
Printed in Japan.

# FOREWORD

This Parts Catalogue is related to the parts for the model(s) on the cover page. When you are ordering replacement parts, please refer to this Parts Catalogue and quote both part numbers and part names correctly.

1. Modifications or additions which have been made after the issue of the Parts Catalogue will be announced in the Parts News.  
It is advisable that you make the necessary corrections to the Parts Catalogue according to the Parts News.

2. Abbreviations

The following abbreviations are used in this Parts Catalogue.

“UR” Use specified parts number.

“UN” Use as many as needed.

“AP” Alternate Parts

“LM” Locally Made (Parts need to be ordered locally)

“F#” Frame No. (Applicable machine No.)

“O/S” Over Size

3. The number of components for assembly

- Parts, which are to be supplied in an assembly, are listed with a dot (.) in front of the part name as shown below.
- The numeral appearing to the right of each component part indicates the quantity of parts for each assembly unit.

PART NO.	DESCRIPTION	Q'TY	REMARKS
2F5-83310-60	FRONT FLASHER LIGHT ASSY	2	
115-83311-60	.BULB (6V-18W)	1	

4. Applicable colours of graphics are represented in the “REMARKS” as shown below.

PART NO.	DESCRIPTION	Q'TY	REMARKS
2N4-24110-00-X5	FUEL TANK COMP.	2	MXR
3J1-24240-10	.GRAPHIC, FUEL TANK	1	FOR MXR

5. Note that the illustrations for reference in finding parts numbers are not to be used for assembling. When assembling, please use the applicable service manual.

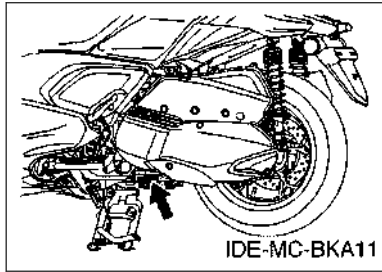
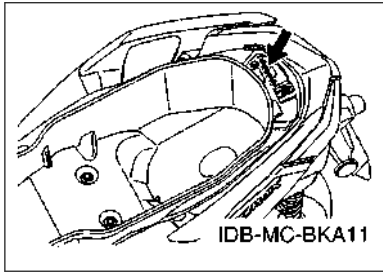
6. The asterisk (\*) before a reference number indicates modified items after the first edition.

# FOREWORD

7. Applicable Serial No.

Frame Serial No.

Engine Serial No.



8. Applicable Colour Code (The (\*) mark shows Model colour.)

Abbreviation	Colour Name	Colour Code
DPBM15	DEEP PURPLISH BLUE METALLIC 15	1329
LGB	LOW GLOSS BLACK	0098
MBL2	MAT BLACK 2	0582
MDNM8(*)	MAT DARK GRAY METALLIC 8	1654
RSH(*)	RED SOLID H	1725
SM12	BLACK METALLIC 12	1723

9. Applicable Starting Serial No.

Frame Serial No.

Serial No.	Name Of Q'ty Column	Model Code

Engine Serial No.

Serial No.	Name Of Q'ty Column	Model Code

# CONTENTS

## ENGINE

CYLINDER.....	1
CRANKSHAFT & PISTON.....	2
VALVE.....	4
CAMSHAFT & CHAIN.....	6
WATER PUMP.....	7
RADIATOR & HOSE.....	8
OIL PUMP.....	10
INTAKE.....	11
EXHAUST.....	13
CRANKCASE.....	14
CRANKCASE COVER 1.....	16
STARTER.....	17
CLUTCH.....	18
TRANSMISSION.....	20

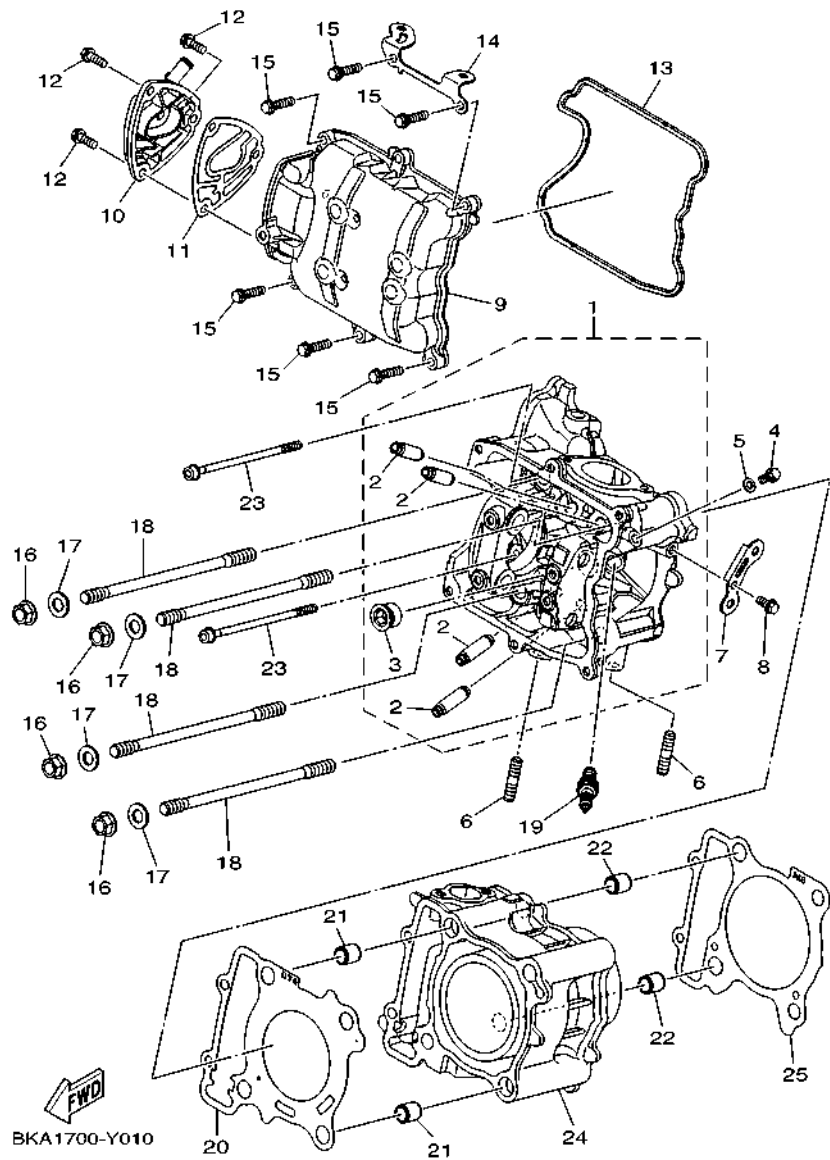
## CHASSIS

FRAME.....	21
FENDER.....	22
SIDE COVER.....	24
REAR ARM & SUSPENSION.....	26
STEERING.....	27
FRONT FORK.....	28
FUEL TANK.....	30
SEAT.....	31
FRONT WHEEL.....	33
FRONT BRAKE CALIPER.....	34
REAR WHEEL.....	35
REAR BRAKE CALIPER.....	36
STEERING HANDLE & CABLE.....	37
FRONT MASTER CYLINDER.....	38
STAND & FOOTREST.....	40
STAND & FOOTREST 2.....	42
LEG SHIELD.....	44
WINDSHIELD.....	47
GENERATOR.....	49
STARTING MOTOR.....	50
FLASHER LIGHT.....	51
METER.....	52
HEADLIGHT.....	53

TAILLIGHT.....	54
HANDLE SWITCH & LEVER.....	55
ELECTRICAL 1.....	56
ELECTRICAL 2.....	58
ELECTRICAL 3.....	59

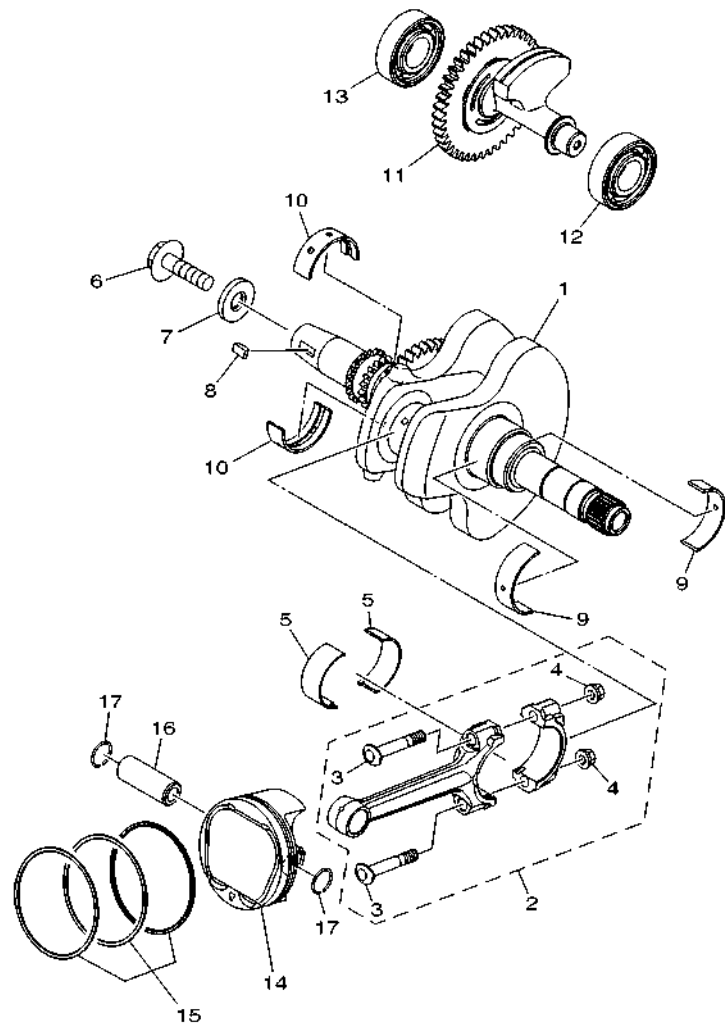
## INDEX

NUMERICAL INDEX.....	60
----------------------	----



**FIG. 1 CYLINDER**

REF. NO.	PART NO.	DESCRIPTION	BPW3	REMARKS
1	BPV-E1102-00	CYLINDER HEAD ASSY	1	For BG60A Model.
2	B74-E1133-10	.GUIDE, VALVE 1	4	
3	90340-18002	.PLUG, STRAIGHT SCREW	1	
4	95E32-06012	BOLT, FLANGE DEEP RECESS	1	
5	90430-06803	GASKET	1	
6	95612-08620	BOLT, STUD	2	
7	B74-E1998-00	BRACKET 1	1	
8	95E32-06012	BOLT, FLANGE DEEP RECESS	1	
9	BAK-E1191-00	COVER, CYLINDER HEAD 1	1	For B740A Model.
10	B74-E1185-00	COVER, CYLINDER HEAD SIDE 3	1	
11	B74-E1169-00	GASKET, BREATHER COVER	1	
12	95E32-06016	BOLT, FLANGE DEEP RECESS	3	
13	B74-E1193-00	GASKET, HEAD COVER 1	1	
14	B74-E1999-00	BRACKET 2	1	
15	95E32-06025	BOLT, FLANGE DEEP RECESS	6	
16	90179-10818	NUT	4	
17	90201-10849	WASHER, PLATE	4	
18	B74-11391-00	BOLT, STUD 1	4	
19	94700-00436	PLUG, SPARK (NGK LMAR8A-9)	1	
20	B74-E1181-00	GASKET, CYLINDER HEAD 1	1	
21	99530-14016	PIN, DOWEL	2	
22	99530-14016	PIN, DOWEL	2	
23	90110-06868	BOLT, HEXAGON SOCKET HEAD	2	
24	BG6-E1311-01	CYLINDER 1	1	
25	B74-E1351-00	GASKET, CYLINDER	1	

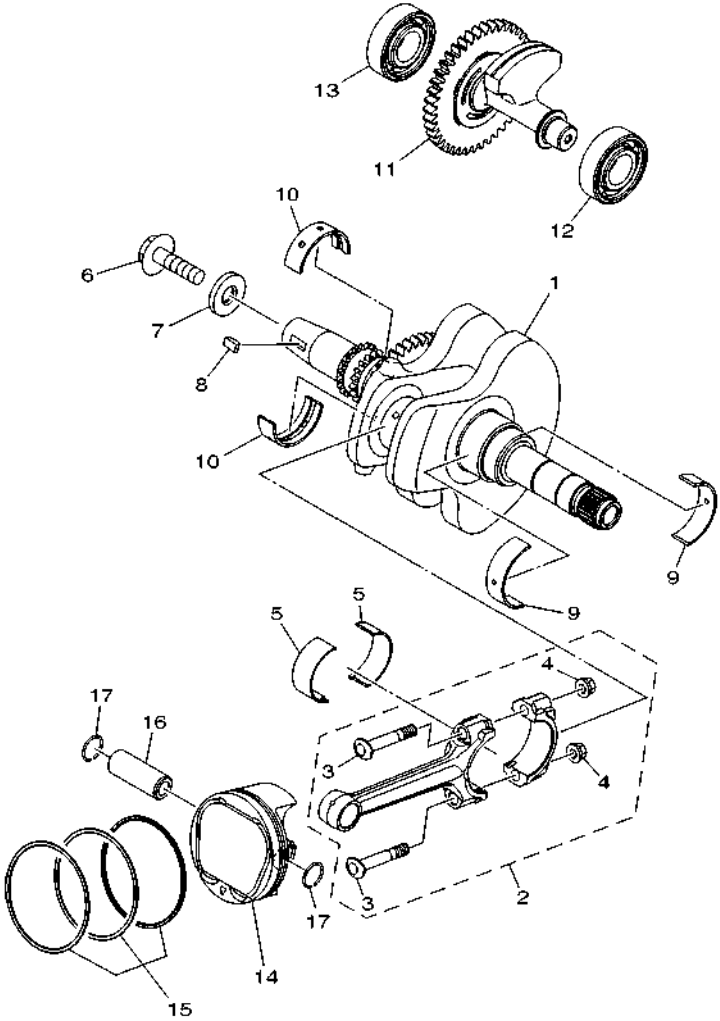


  
 BG61460-S020

**FIG. 2 CRANKSHAFT & PISTON**

REF. NO.	PART NO.	DESCRIPTION	BPW3			REMARKS
1	BG6-E1400-10	CRANKSHAFT ASSY	1			
2	BG6-11650-00	CONNECTING ROD ASSY	1			
3	2C0-11654-00	.BOLT, CONNECTING ROD	2			
4	90179-07001	.NUT	2			
5	B74-11656-00	PLANE BEARING, CONNECTING ROD	2			UR BLUE
	B74-11656-10	PLANE BEARING, CONNECTING ROD	2			UR BLACK
	B74-11656-20	PLANE BEARING, CONNECTING ROD	2			UR BROWN
	B74-11656-30	PLANE BEARING, CONNECTING ROD	2			UR GREEN
6	90105-10883	BOLT, FLANGE	1			
7	90201-10848	WASHER, PLATE	1			
8	90280-05013	KEY, WOODRUFF	1			
9	B74-11416-A0	PLANE BEARING, CRANKSHAFT 1	2			UR WHITE
	B74-11416-00	PLANE BEARING, CRANKSHAFT 1	2			UR BLUE
	B74-11416-10	PLANE BEARING, CRANKSHAFT 1	2			UR BLACK
	B74-11416-20	PLANE BEARING, CRANKSHAFT 1	2			UR BROWN
	B74-11416-30	PLANE BEARING, CRANKSHAFT 1	2			UR GREEN
	B74-11416-40	PLANE BEARING, CRANKSHAFT 1	2			UR YELLOW
	B74-11416-50	PLANE BEARING, CRANKSHAFT 1	2			UR PINK
10	B74-11417-A0	PLANE BEARING, CRANKSHAFT 2	2			UR WHITE
	B74-11417-00	PLANE BEARING, CRANKSHAFT 2	2			UR BLUE
	B74-11417-10	PLANE BEARING, CRANKSHAFT 2	2			UR BLACK
	B74-11417-20	PLANE BEARING, CRANKSHAFT 2	2			UR BROWN
	B74-11417-30	PLANE BEARING, CRANKSHAFT 2	2			UR GREEN
	B74-11417-40	PLANE BEARING, CRANKSHAFT 2	2			UR YELLOW
	B74-11417-50	PLANE BEARING, CRANKSHAFT 2	2			UR PINK
11	BG6-E1500-00	BALANCER ASSY	1			
12	93306-303YT	BEARING	1			

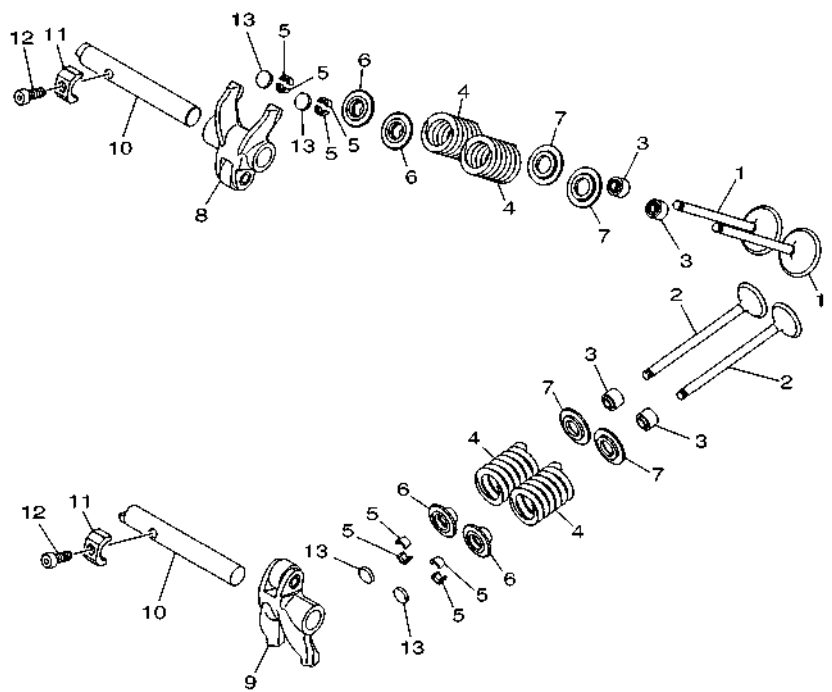
**FIG. 2 CRANKSHAFT & PISTON**



 **BG61460-S020**

REF. NO.	PART NO.	DESCRIPTION	BPW3				REMARKS
13	93306-204XV	BEARING	1				
14	BG6-E1631-00	PISTON (STD)	1				
15	B74-E1603-10	PISTON RING SET (STD)	1				
16	B74-E1633-00	PIN, PISTON	1				
17	93450-17129	CIRCLIP	2				
<hr/>							
<hr/>							
<hr/>							
<hr/>							
<hr/>							
<hr/>							
<hr/>							
<hr/>							
<hr/>							
<hr/>							
<hr/>							

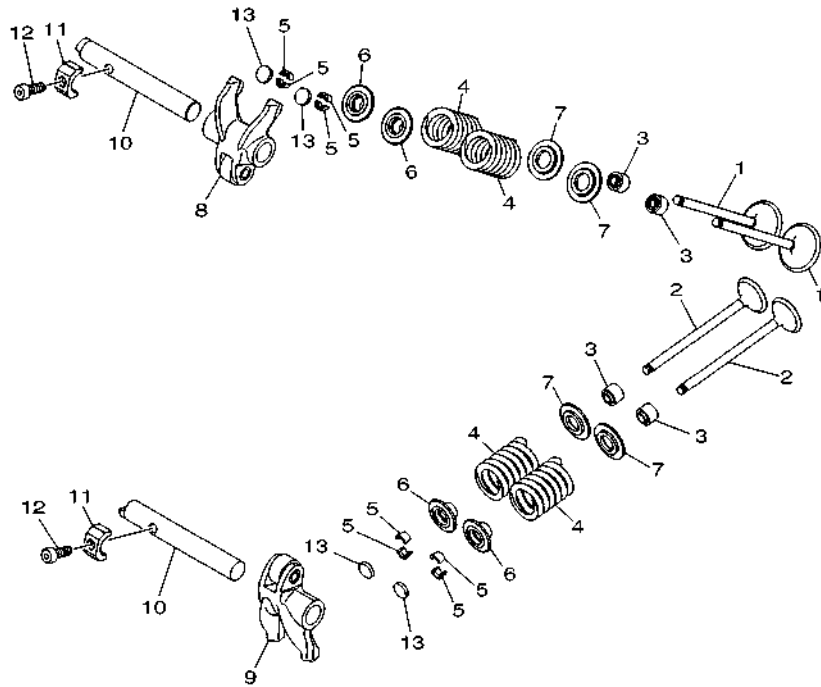




**FWD**  
B741300-S030

**FIG. 3 VALVE**

REF. NO.	PART NO.	DESCRIPTION	BPW3				REMARKS
1	B74-E2111-00	VALVE, INTAKE	2				
2	B74-E2121-00	VALVE, EXHAUST	2				
3	54P-E2119-00	SEAL, VALVE STEM	4				
4	B74-E2113-00	SPRING, VALVE INNER	4				
5	5TL-E2118-00	LOCK, VALVE SPRING RETAINER	8				
6	B74-E2117-00	RETAINER, VALVE SPRING	4				
7	2PH-E2126-00	SEAT, VALVE SPRING 2	4				
8	B74-E2151-00	ARM, VALVE ROCKER	1				
9	B74-E2161-00	ARM, VALVE ROCKER 2	1				
10	B74-E2146-00	SHAFT, ROCKER	2				
11	B74-E2662-00	COLLAR 1	2				
12	91312-05014	BOLT, HEXAGON SOCKET HEAD	2				
13	B74-12168-00	PAD, ADJUSTING (1.50)	4				UR
	B74-12168-20	PAD, ADJUSTING (1.55)	4				UR
	B74-12168-40	PAD, ADJUSTING (1.60)	4				UR
	B74-12168-60	PAD, ADJUSTING (1.65)	4				UR
	B74-12168-80	PAD, ADJUSTING (1.70)	4				UR
	B74-12168-A0	PAD, ADJUSTING (1.75)	4				UR
	B74-12168-F0	PAD, ADJUSTING (1.80)	4				UR
	B74-12168-H0	PAD, ADJUSTING (1.85)	4				UR
	B74-12168-K0	PAD, ADJUSTING (1.90)	4				UR
	B74-12168-M0	PAD, ADJUSTING (1.95)	4				UR
	B74-12168-R0	PAD, ADJUSTING (2.00)	4				UR
	B74-12168-U0	PAD, ADJUSTING (2.05)	4				UR
	B74-12168-W0	PAD, ADJUSTING (2.10)	4				UR
	B74-12168-Y0	PAD, ADJUSTING (2.15)	4				UR
	B74-12169-10	PAD, ADJUSTING (2.20)	4				UR

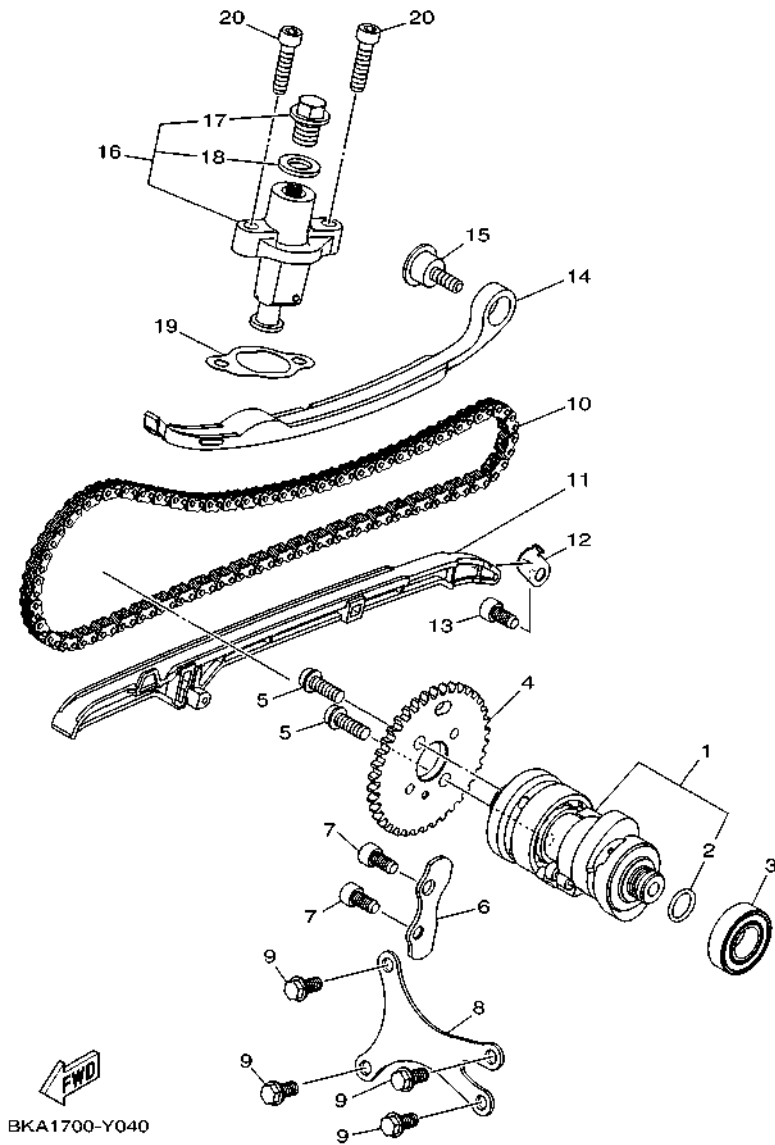


  
 B741300-S030

**FIG. 3 VALVE**

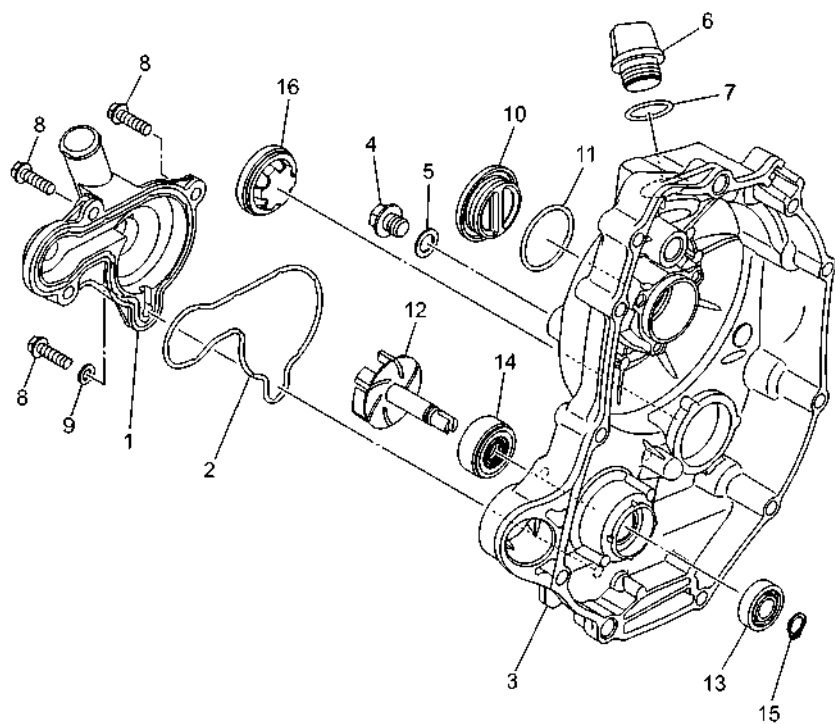
REF. NO.	PART NO.	DESCRIPTION	BPW3	REMARKS
13	B74-12169-30	PAD, ADJUSTING (2.25)	4	UR
	B74-12169-50	PAD, ADJUSTING (2.30)	4	UR
	B74-12169-70	PAD, ADJUSTING (2.35)	4	UR
	B74-12169-90	PAD, ADJUSTING (2.40)	4	UR
	B74-12169-E0	PAD, ADJUSTING (2.45)	4	UR
	B74-12169-G0	PAD, ADJUSTING (2.50)	4	UR
	B74-12169-J0	PAD, ADJUSTING (2.55)	4	UR
	B74-12169-L0	PAD, ADJUSTING (2.60)	4	UR
	B74-12169-N0	PAD, ADJUSTING (2.65)	4	UR
	B74-12169-T0	PAD, ADJUSTING (2.70)	4	UR
	B74-12169-V0	PAD, ADJUSTING (2.75)	4	UR
	B74-12169-X0	PAD, ADJUSTING (2.80)	4	UR
	B74-1216A-00	PAD, ADJUSTING (2.85)	4	UR
	B74-1216A-20	PAD, ADJUSTING (2.90)	4	UR
	B74-1216A-40	PAD, ADJUSTING (2.95)	4	UR
	B74-1216A-60	PAD, ADJUSTING (3.00)	4	UR
	B74-1216A-80	PAD, ADJUSTING (3.05)	4	UR
	B74-1216A-A0	PAD, ADJUSTING (3.10)	4	UR
	B74-1216A-F0	PAD, ADJUSTING (3.15)	4	UR
	B74-1216A-H0	PAD, ADJUSTING (3.20)	4	UR
	B74-1216A-K0	PAD, ADJUSTING (3.25)	4	UR
	B74-1216A-M0	PAD, ADJUSTING (3.30)	4	UR
	B74-1216A-R0	PAD, ADJUSTING (3.35)	4	UR
	B74-1216A-U0	PAD, ADJUSTING (3.40)	4	UR
	B74-1216A-W0	PAD, ADJUSTING (3.45)	4	UR
	B74-1216A-Y0	PAD, ADJUSTING (3.50)	4	UR

**FIG. 4 CAMSHAFT & CHAIN**



REF. NO.	PART NO.	DESCRIPTION	BPW3				REMARKS
1	BG6-E2170-00	CAMSHAFT ASSY 1	1				
2	93210-12801	.O-RING	1				
3	93306-002XM	BEARING	1				
4	B74-E2176-00	SPROCKET, CAM CHAIN	1				
5	90110-06405	BOLT, HEXAGON SOCKET HEAD	2				
6	BKA-E112F-00	PLATE 2	1				For B740A Model.
7	90110-06187	BOLT, HEXAGON SOCKET HEAD	2				
8	BKA-E111F-00	PLATE	1				For B740A Model.
9	95E32-06012	BOLT, FLANGE DEEP RECESS	4				
10	94568-H8110	CHAIN	1				
11	B74-E2231-00	GUIDE, STOPPER 1	1				
12	B74-E2233-00	PLATE, GUIDE STOPPER 1	1				
13	90110-06182	BOLT, HEXAGON SOCKET HEAD	1				
14	B74-E2241-01	GUIDE, STOPPER 2	1				
15	1DB-E2228-00	BOLT	1				
16	31G-12210-01	TENSIONER ASSY, CAM CHAIN	1				
17	31G-12222-00	.PLUG	1				
18	31G-12214-00	.GASKET	1				
19	B74-E2213-00	GASKET, TENSIONER CASE	1				
20	91312-06025	BOLT, HEXAGON SOCKET HEAD	2				

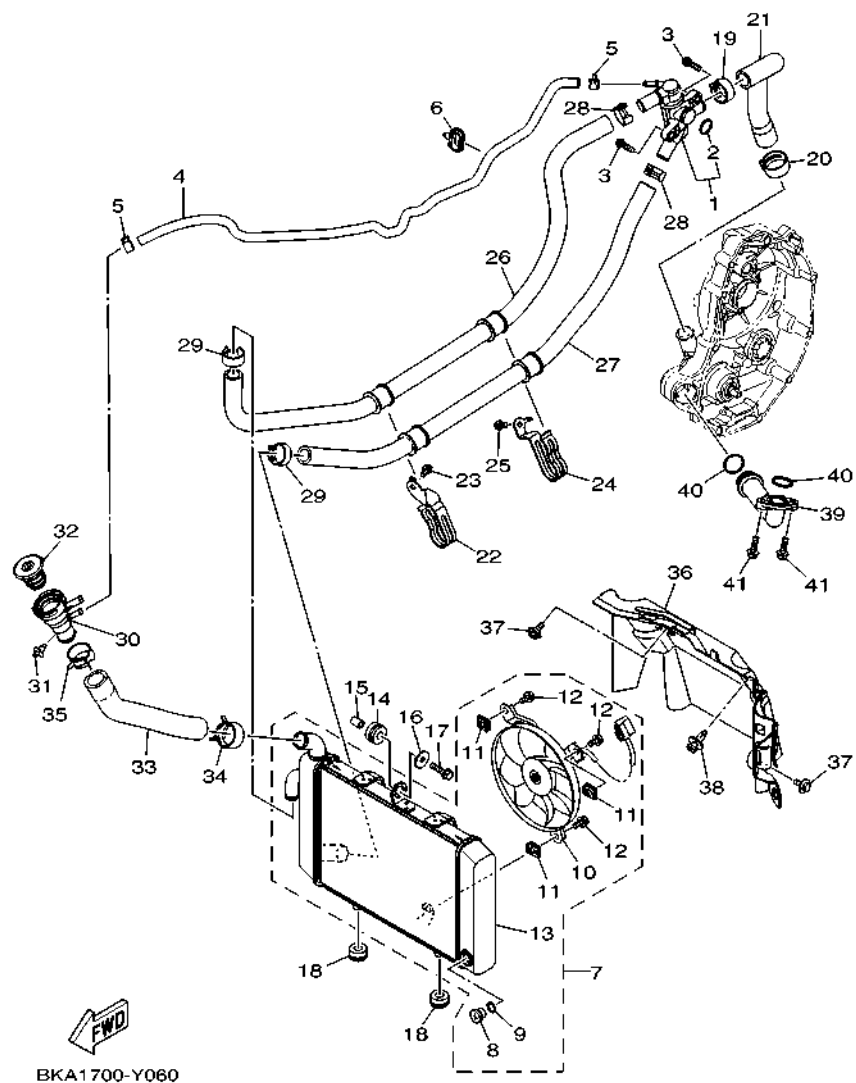
**FIG. 5 WATER PUMP**



  
 B741300-S052

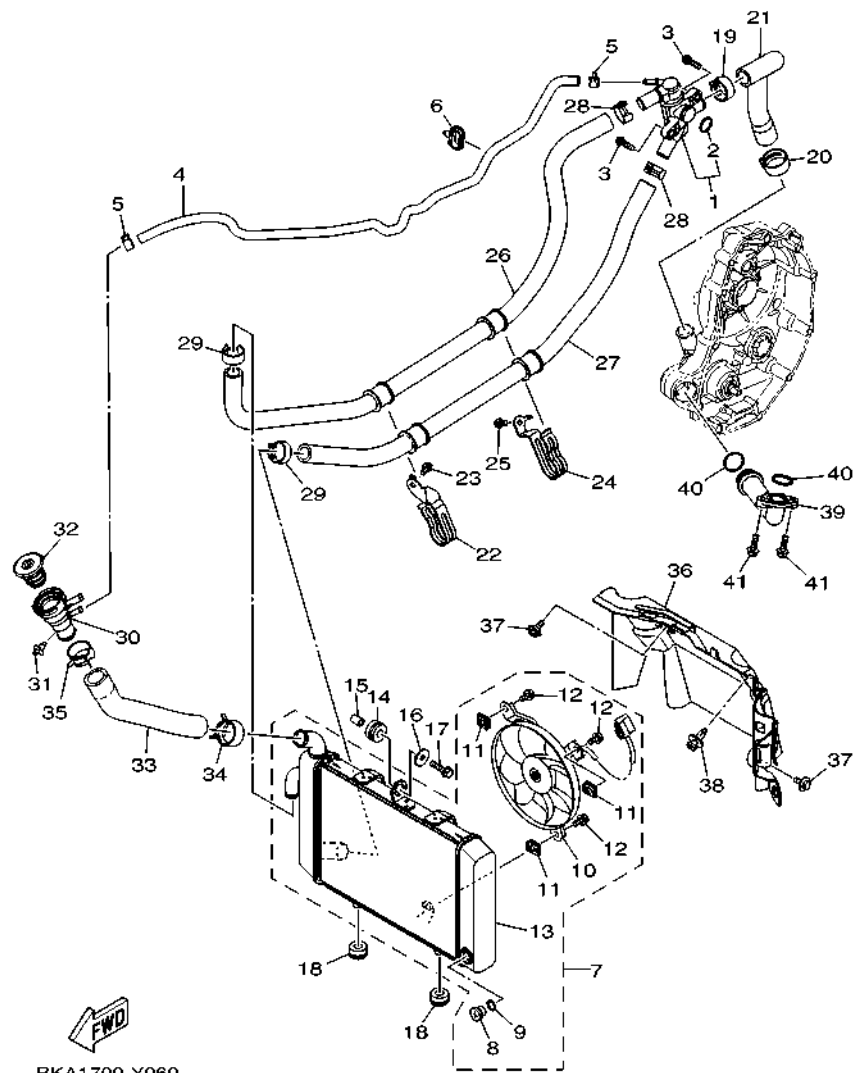
REF. NO.	PART NO.	DESCRIPTION	BPW3				REMARKS
1	B74-E2422-00	COVER, HOUSING	1				
2	B74-E2439-00	O-RING	1				
3	B74-E5417-01	COVER, CAP	1				
4	B74-E2157-02	BOLT	1				
5	90430-10806	GASKET	1				
6	5BP-E5363-10	PLUG, OIL	1				
7	93210-198J0	O-RING	1				
8	95E37-06020	BOLT, FLANGE DEEP RECESS	3				
9	90430-06803	GASKET	1				
10	90340-32805	PLUG, STRAIGHT SCREW	1				
11	93210-32816	O-RING	1				
12	B74-E2450-00	IMPELLER SHAFT ASSY	1				
13	93306-000Y3	BEARING	1				
14	93103-10801	OIL SEAL	1				
15	99009-10400	CIRCLIP	1				
16	5PW-15361-00	GAUGE, LEVEL	1				

**FIG. 6 RADIATOR & HOSE**



REF. NO.	PART NO.	DESCRIPTION	BPW3				REMARKS
1	B74-12410-00	THERMOSTAT ASSY	1				
2	52S-12439-00	.O-RING	1				
3	95E32-06020	BOLT, FLANGE DEEP RECESS	2				
4	BKA-E2576-00	HOSE 1	1				
5	90467-10038	CLIP	2				
6	90464-10802	CLAMP	1				
7	B74-E240A-01	RADIATOR ASSY	1				
8	5ST-E2615-00	.COCK, DRAIN	1				
9	5ST-E2843-00	.O-RING	1				
10	B74-E2405-00	.BLOWER ASSY	1				
11	1WD-E2671-00	.NUT 1	3				
12	5GJ-12675-00	.BOLT, BLOWER HOLDING	3				
13	B74-E2461-00	.RADIATOR COMP	1				
14	90480-15483	GROMMET	1				
15	90387-064W3	COLLAR	1				
16	90201-06033	WASHER, PLATE	1				
17	95D32-06025	BOLT, FLANGE DEEP RECESS	1				
18	90480-14818	GROMMET	2				
19	90467-22002	CLIP	1				
20	90467-24800	CLIP	1				
21	B74-E2481-00	PIPE 1	1				
22	B74-F1823-00	CLAMP, HOSE	1				
23	95E32-06012	BOLT, FLANGE DEEP RECESS	1				
24	B74-F2591-00	CLAMP, HOSE	1				
25	95E32-06012	BOLT, FLANGE DEEP RECESS	1				
26	B74-E2482-00	PIPE 2	1				
27	B74-E2483-00	PIPE 3	1				

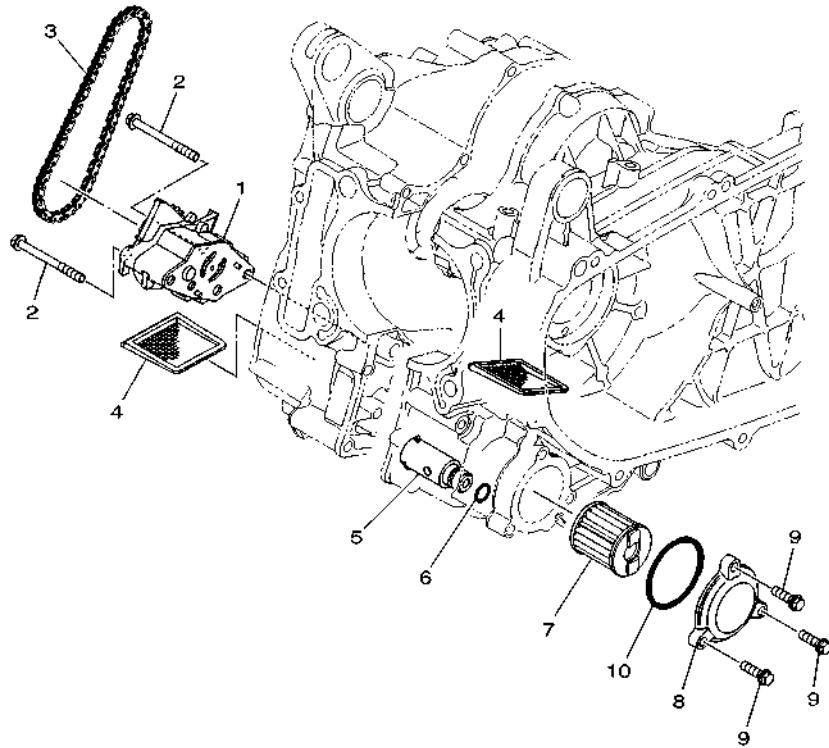
**FIG. 6 RADIATOR & HOSE**



BKA1700-Y060

REF. NO.	PART NO.	DESCRIPTION	BPW3				REMARKS
28	90467-20805	CLIP	2				
29	90467-21801	CLIP	2				
30	B74-E2591-00	SUPT, FILLER NECK	1				
31	90269-07014	RIVET	1				
32	B65-E2462-02	CAP, RADIATOR	1				
33	BKA-E2484-00	PIPE 4	1				
34	90467-250A1	CLIP	1				
35	90467-26131	CLIP	1				
36	B74-E2467-01	COVER, RADIATOR	1				
37	90109-068B5	BOLT	2				
38	90269-06812	RIVET	1				
39	B74-E2446-00	JOINT	1				
40	93210-22800	O-RING	2				
41	95D37-06020	BOLT, FLANGE DEEP RECESS	2				

**FIG. 7 OIL PUMP**

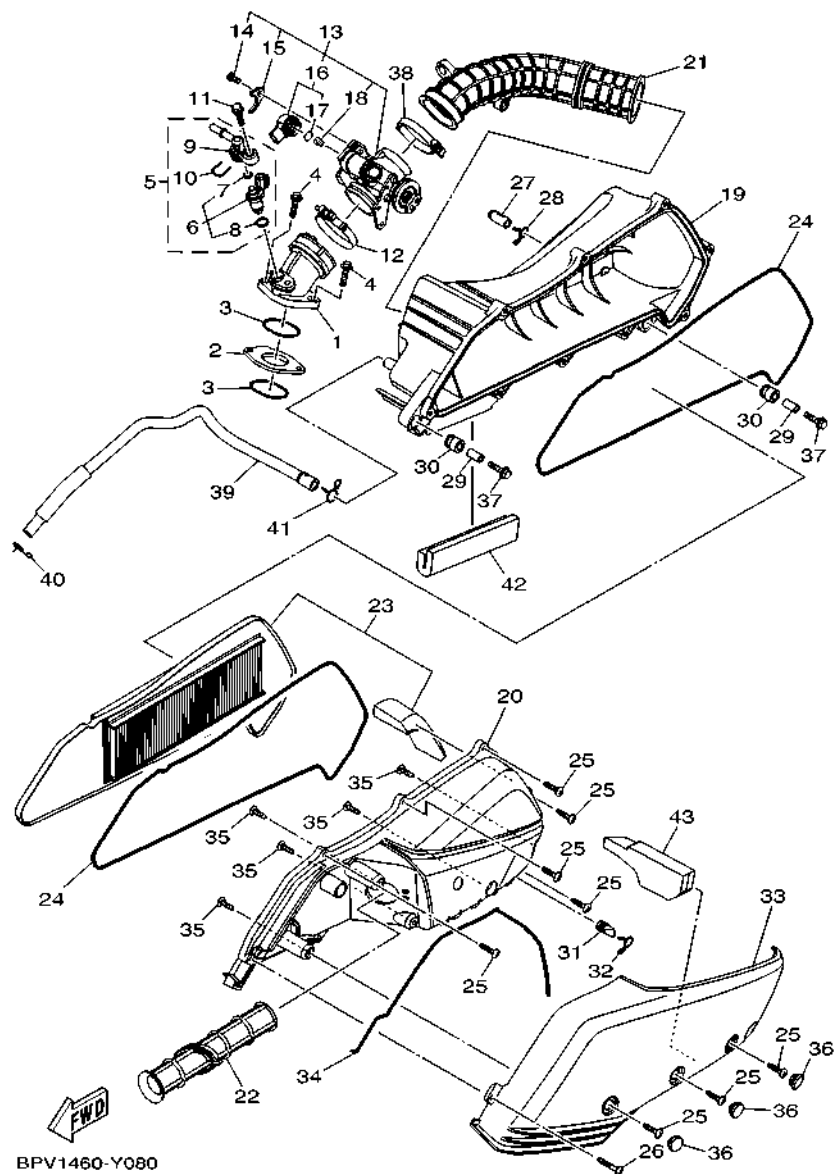


REF. NO.	PART NO.	DESCRIPTION	BPW3				REMARKS
1	B74-E3300-00	OIL PUMP ASSY	1				
2	95E32-06060	BOLT, FLANGE DEEP RECESS	2				
3	94568-F9058	CHAIN	1				
4	4ST-E3411-00	STRAINER, OIL	2				
5	5RU-13490-00	RELIEF VALVE ASSY	1				
6	93210-10096	O-RING	1				
7	1S7-E3440-00	ELEMENT ASSY, OIL CLEANER	1				
8	B74-E3447-00	COVER, OIL ELEMENT	1				
9	95E32-06020	BOLT, FLANGE DEEP RECESS	3				
10	93210-48530	O-RING	1				



BKA1700-Y070

FIG. 8 INTAKE

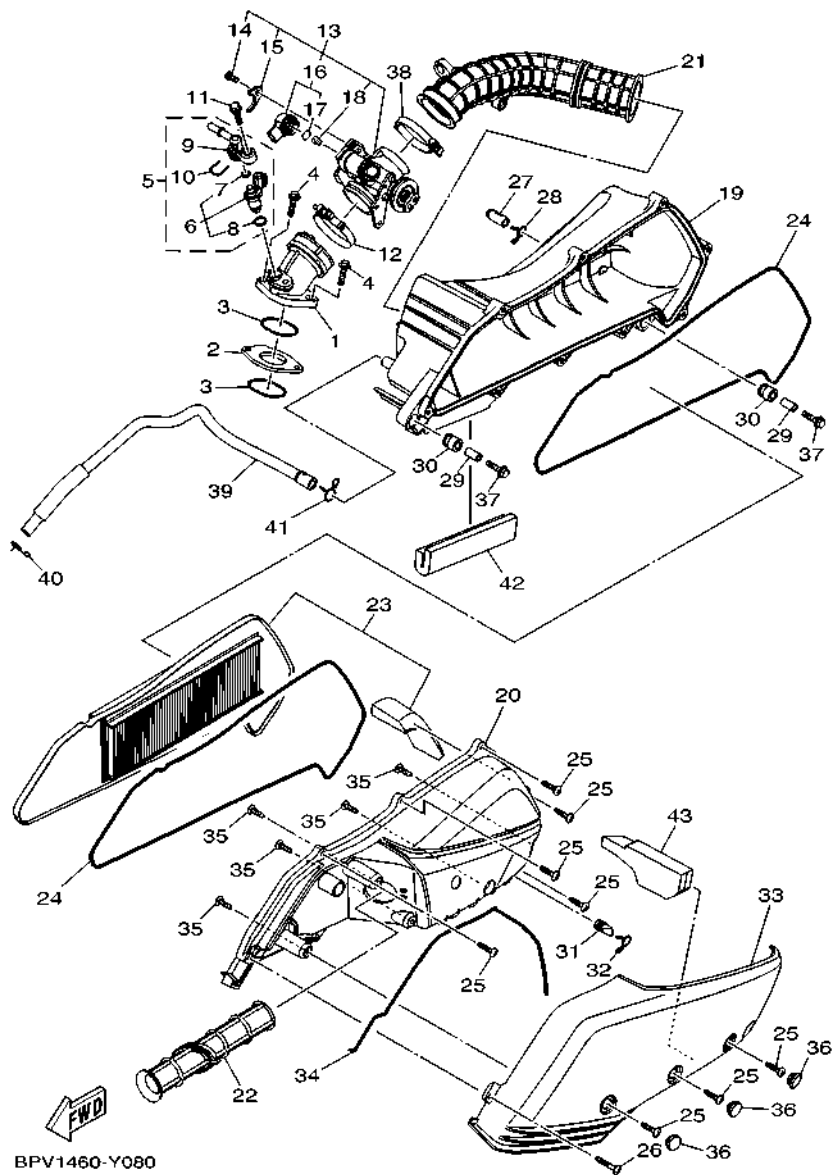


BPV1460-Y080

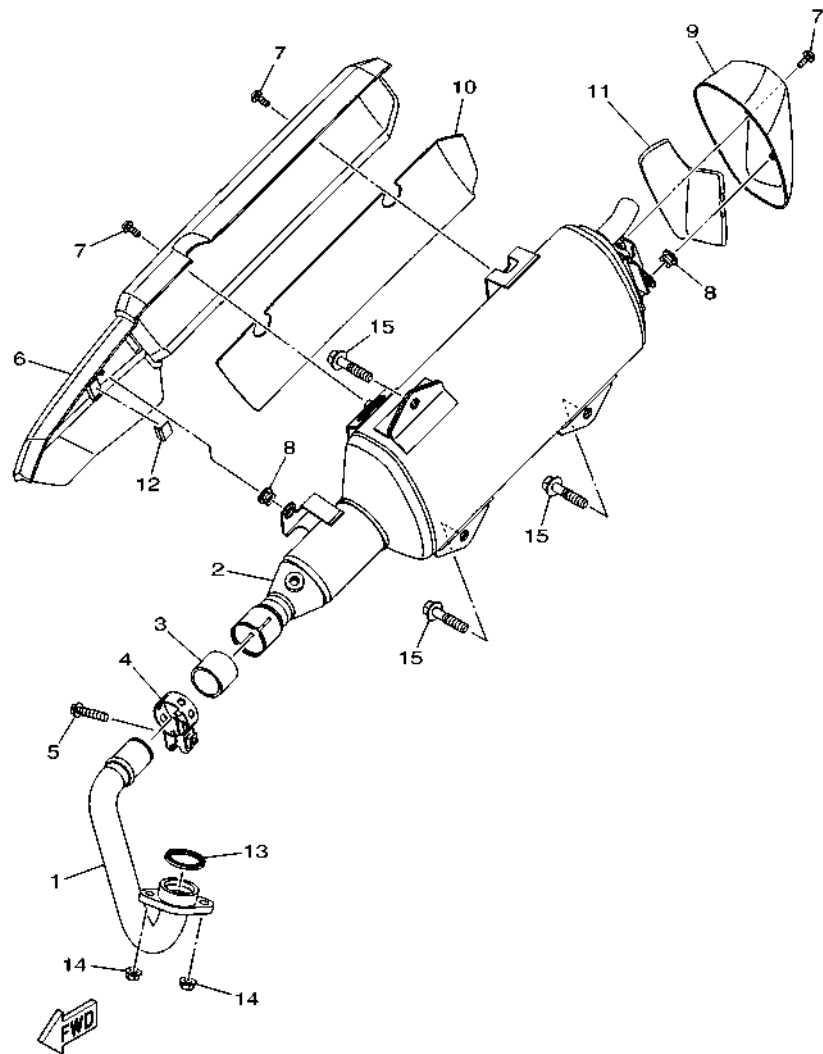
REF. NO.	PART NO.	DESCRIPTION	BPW3				REMARKS
1	BG6-E3585-00	MANIFOLD	1				
2	BG6-E3595-00	JOINT	1				
3	93210-40659	O-RING	2				
4	90110-06172	BOLT, HEXAGON SOCKET HEAD	2				
5	BG6-E3770-00	INJECTOR ASSY	1				
6	BG6-E3761-00	.INJECTOR	1				
7	54P-E4147-00	.O-RING	1				
8	5CA-E4147-00	.O-RING	1				
9	52S-13938-01	.PIPE	1				
10	54P-E4137-00	.CLIP	1				
11	95D32-06025	BOLT, FLANGE DEEP RECESS	1				
12	90450-56009	HOSE CLAMP ASSY	1				
13	BG6-E3750-04	THROTTLE BODY ASSY	1				
14	98502-06012	.SCREW, PAN HEAD	1				
15	54P-E4243-00	.PLATE	1				
16	B74-H5801-00	.STEPPING MOTOR	1				
17	54P-E416A-00	.O-RING	1				
18	B74-E4335-00	.SPRING, PLUNGER	1				
19	BG6-E4411-11	CASE, AIR CLEANER 1	1				
20	B74-E4412-00	CAP, CLEANER CASE 1	1				
21	BG6-E4469-00	FUNNEL, AIR	1				
22	B74-E4437-00	DUCT	1				
23	B74-WE445-00	AIR CLEANER ELEMENT ASSY	1				
24	B74-E4452-00	SEAL	2				
25	97707-50025	SCREW, TAPPING	8				
26	97707-50035	SCREW, TAPPING	1				
27	52B-E443E-00	PIPE, DRAIN	1				



FIG. 8 INTAKE



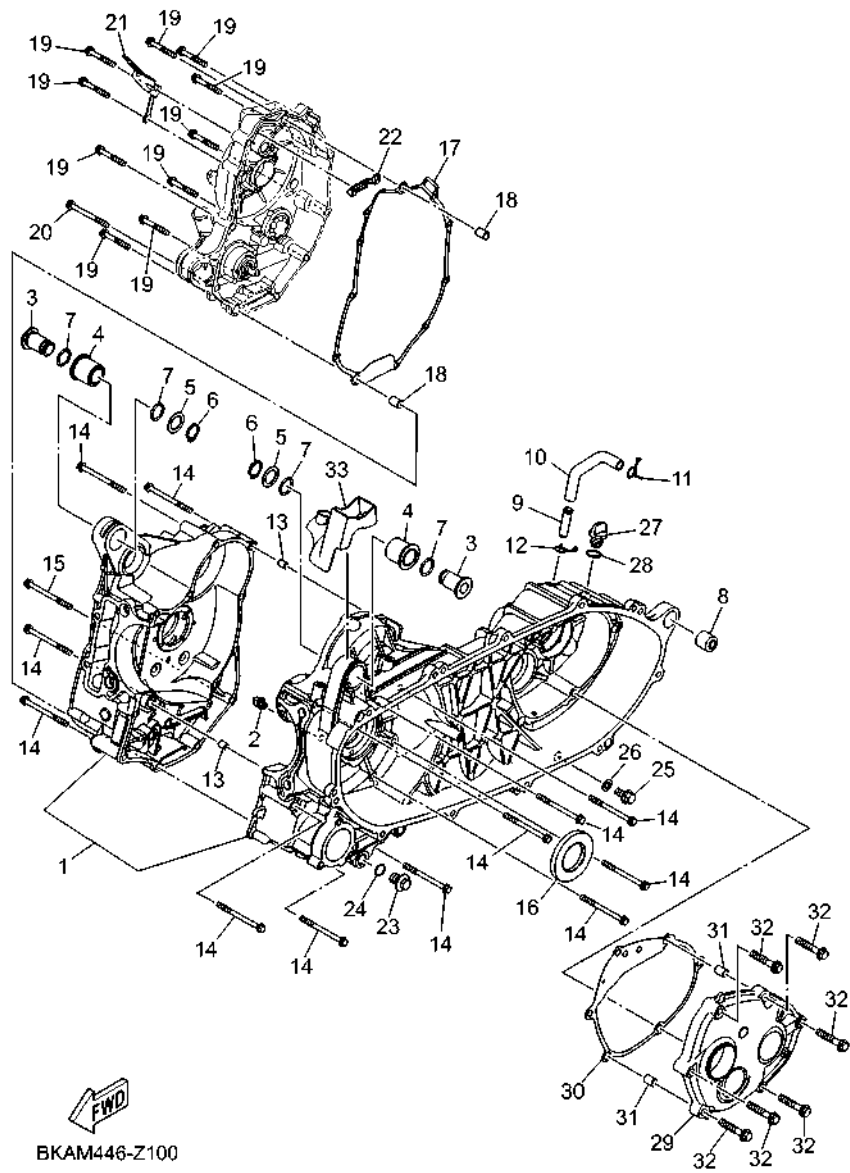
REF. NO.	PART NO.	DESCRIPTION	BPW3				REMARKS
28	90467-12809	CLIP	1				
29	B74-E4449-00	COLLAR	2				
30	B74-E4435-00	GROMMET	2				
31	5TP-E443G-10	PIPE, DRAIN 2	1				
32	90467-12809	CLIP	1				
33	B74-E4417-00	COVER 1	1				
34	B74-E4462-00	SEAL	1				
35	97702-50020	SCREW, TAPPING	5				
36	90338-14802	PLUG	3				
37	95D32-06030	BOLT, FLANGE DEEP RECESS	2				
38	90450-52008	HOSE CLAMP ASSY	1				
39	B74-E1166-00	PIPE, BREATHER 1	1				
40	90467-12052	CLIP	1				
41	90467-14015	CLIP	1				
42	90520-10836	DAMPER, PLATE	1				
43	B74-E447F-00	ELEMENT 3	1				



B5X1700-W090

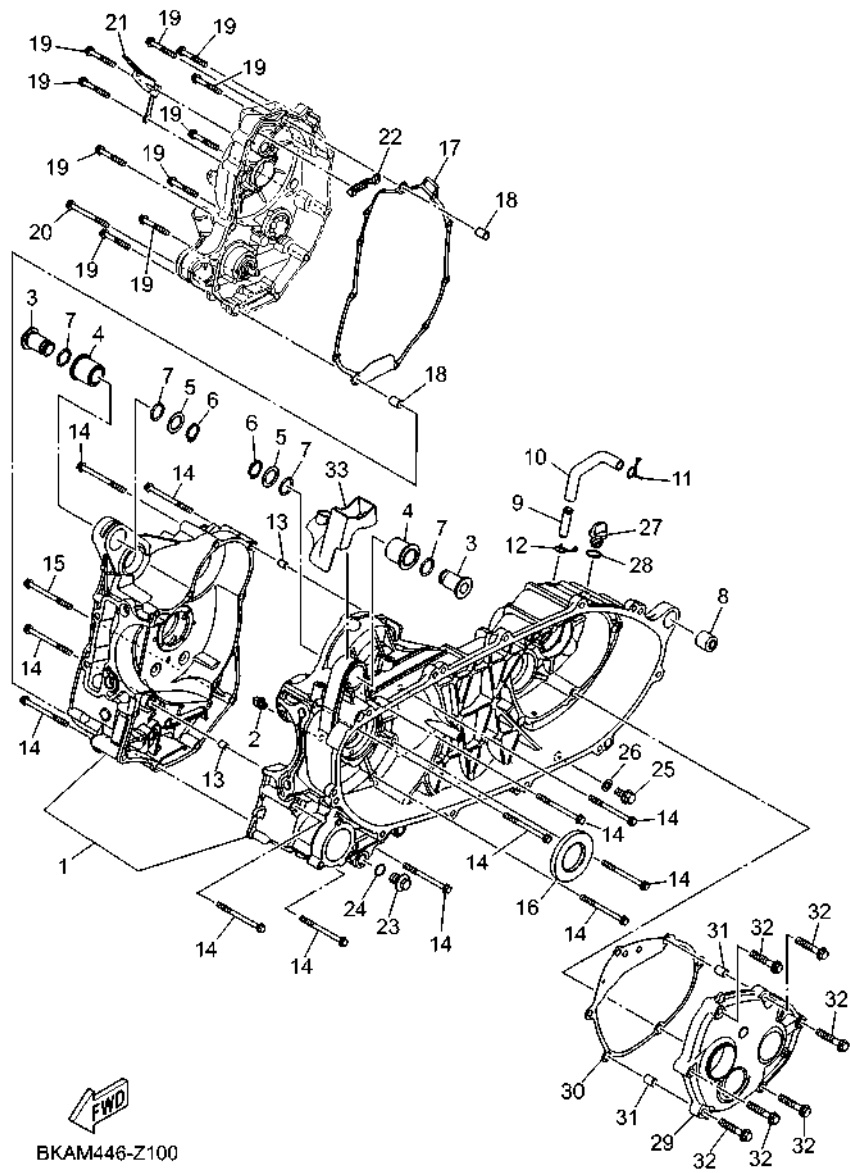
**FIG. 9 EXHAUST**

REF. NO.	PART NO.	DESCRIPTION	BPW3				REMARKS
1	B74-E4611-00	PIPE, EXHAUST 1	1				
2	BPV-E4711-00	MUFFLER 1	1				
3	54D-E4714-00	GASKET, MUFFLER	1				
4	1WD-E4715-00	BAND, MUFFLER	1				
5	95027-08035	BOLT, FLANGE	1				
6	B74-E4718-00	PROTECTOR, MUFFLER 1	1				
7	90111-06807	BOLT, HEXAGON SOCKET BUTTON	3				
8	90480-10332	GROMMET	2				
9	B74-E4799-00	CAP	1				
10	B74-E475P-00	SEAT	1				
11	B74-E476P-00	SEAT	1				
12	B74-E477P-00	SEAT	1				
13	1WD-E4613-00	GASKET, EXHAUST PIPE	1				
14	95702-08500	NUT, FLANGE	2				
15	95D37-10045	BOLT, FLANGE DEEP RECESS	3				



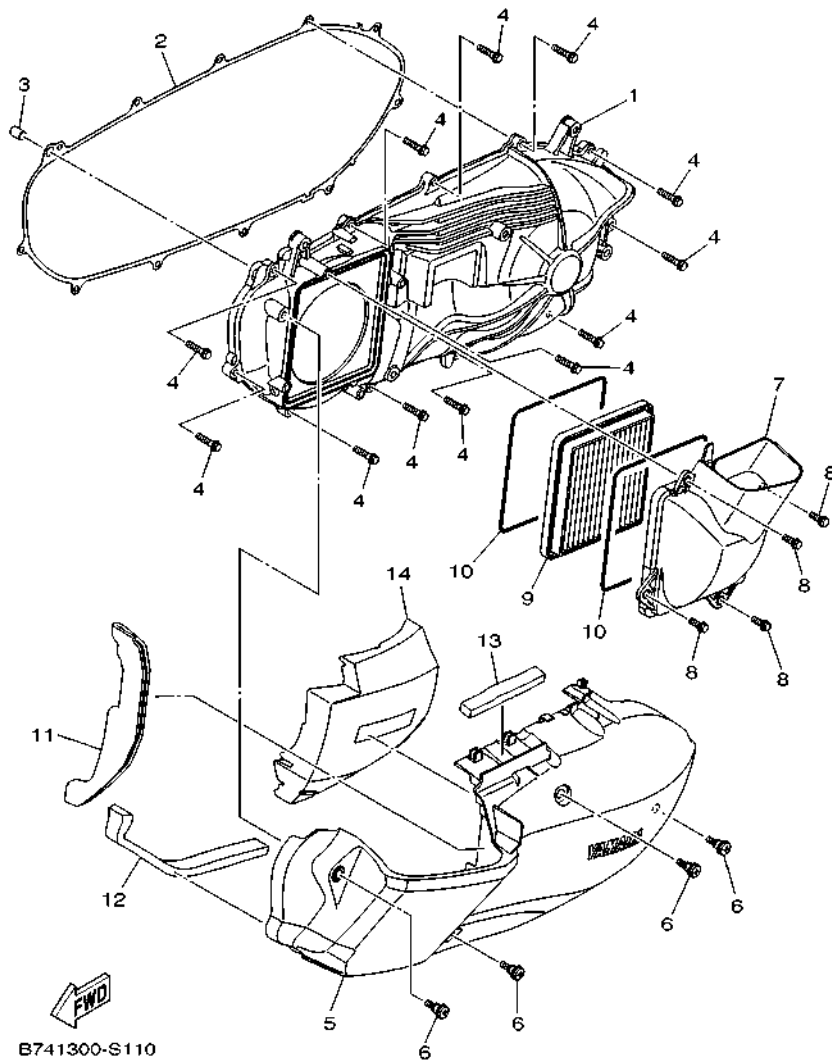
**FIG. 10 CRANKCASE**

REF. NO.	PART NO.	DESCRIPTION	BPW3	REMARKS
1	BSS-E5100-10	CRANKCASE ASSY	1	
2	5D9-E5155-01	NOZZLE 3	1	
3	B74-E5372-01	COLLAR, UNION	2	
4	B74-E5378-00	HOLDER	2	
5	90201-18262	WASHER, PLATE	2	
6	99009-18400	CIRCLIP	2	
7	93210-18397	O-RING	4	
8	90388-08803	DAMPER	1	
9	40D-E1126-00	PIPE, BREATHER 3	1	
10	B74-E5373-00	PIPE, BREATHER	1	
11	90467-12052	CLIP	1	
12	90467-12052	CLIP	1	
13	99530-08012	PIN, DOWEL	2	
14	95E32-06070	BOLT, FLANGE DEEP RECESS	12	
15	95E32-06110	BOLT, FLANGE DEEP RECESS	1	
16	93102-35805	OIL SEAL	1	
17	B74-E5453-00	GASKET	1	
18	99530-10114	PIN, DOWEL	2	
19	95E32-06040	BOLT, FLANGE DEEP RECESS	10	
20	95E32-06060	BOLT, FLANGE DEEP RECESS	1	
21	BX9-E5544-00	STAY 1	1	
22	2PV-E5113-00	PLATE	1	
23	90340-12816	BOLT, STRAIGHT SCREW	1	
24	90430-12803	GASKET	1	
25	95D32-08016	BOLT, FLANGE DEEP RECESS	1	
26	90430-08804	GASKET	1	
27	5LW-E5363-00	PLUG, OIL	1	



**FIG. 10 CRANKCASE**

REF. NO.	PART NO.	DESCRIPTION	BPW3				REMARKS
28	93210-14816	O-RING	1				
29	B74-E5421-01	COVER, CRANKCASE 2	1				
30	B74-E5461-00	GASKET, CRANKCASE COVER 2	1				
31	99530-10114	PIN, DOWEL	2				
32	95022-08040	BOLT, FLANGE	6				
33	BX9-H1639-00	COVER	1				
-----							
-----							
-----							
-----							
-----							
-----							
-----							
-----							
-----							
-----							

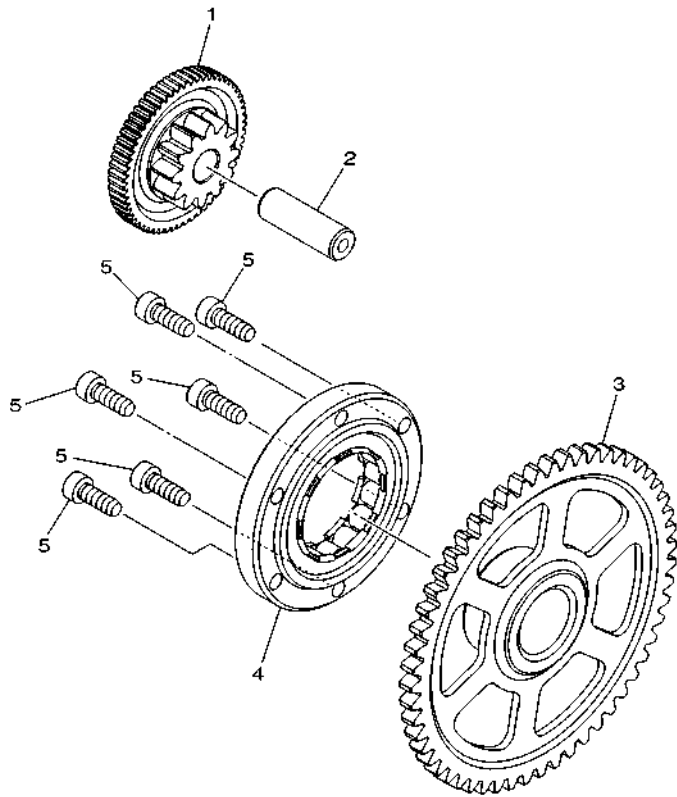


**FIG. 11 CRANKCASE COVER 1**

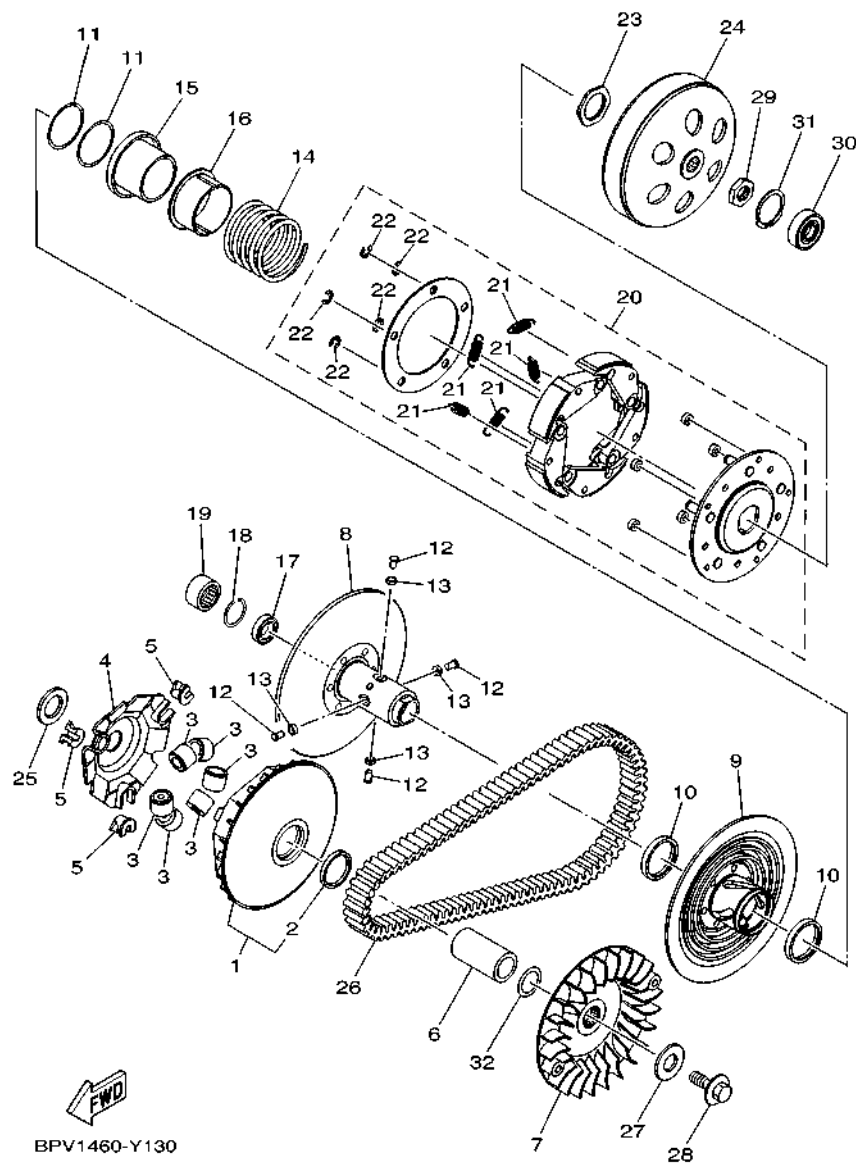
REF. NO.	PART NO.	DESCRIPTION	BPW3	REMARKS
1	B74-E5411-00	COVER, CRANKCASE 1	1	
2	B74-E5451-00	GASKET, CRANKCASE COVER 1	1	
3	99530-10114	PIN, DOWEL	1	
4	95E32-06025	BOLT, FLANGE DEEP RECESS	12	
5	B74-E5431-01	COVER, CRANKCASE 3	1	
6	2DP-E5481-00	BOLT 1	4	UR
	B63-E5481-00	BOLT 1	4	UR
7	B74-E5471-00	DUCT, AIR	1	
8	95E37-06016	BOLT, FLANGE DEEP RECESS	4	
9	B74-E5407-00	ELEMENT 1	1	
10	B74-E5474-00	SEAL, AIR DUCT	2	
11	90520-10837	DAMPER, PLATE	1	
12	90520-20821	DAMPER, PLATE	1	
13	90520-10835	DAMPER, PLATE	1	
14	B74-15338-00	DAMPER 5	1	

**FIG. 12 STARTER**

REF. NO.	PART NO.	DESCRIPTION	BPW3		REMARKS
1	B74-E5512-00	GEAR, IDLER 1	1		
2	5BP-E5521-00	SHAFT 1	1		
3	BKA-E5524-00	WHEEL, STARTER	1		
4	B5X-E5590-00	STARTER ONE-WAY ASSY	1		
5	90110-06161	BOLT, HEXAGON SOCKET HEAD	6		
<hr style="border-top: 1px dashed black;"/>					
<hr style="border-top: 1px dashed black;"/>					
<hr style="border-top: 1px dashed black;"/>					
<hr style="border-top: 1px dashed black;"/>					
<hr style="border-top: 1px dashed black;"/>					



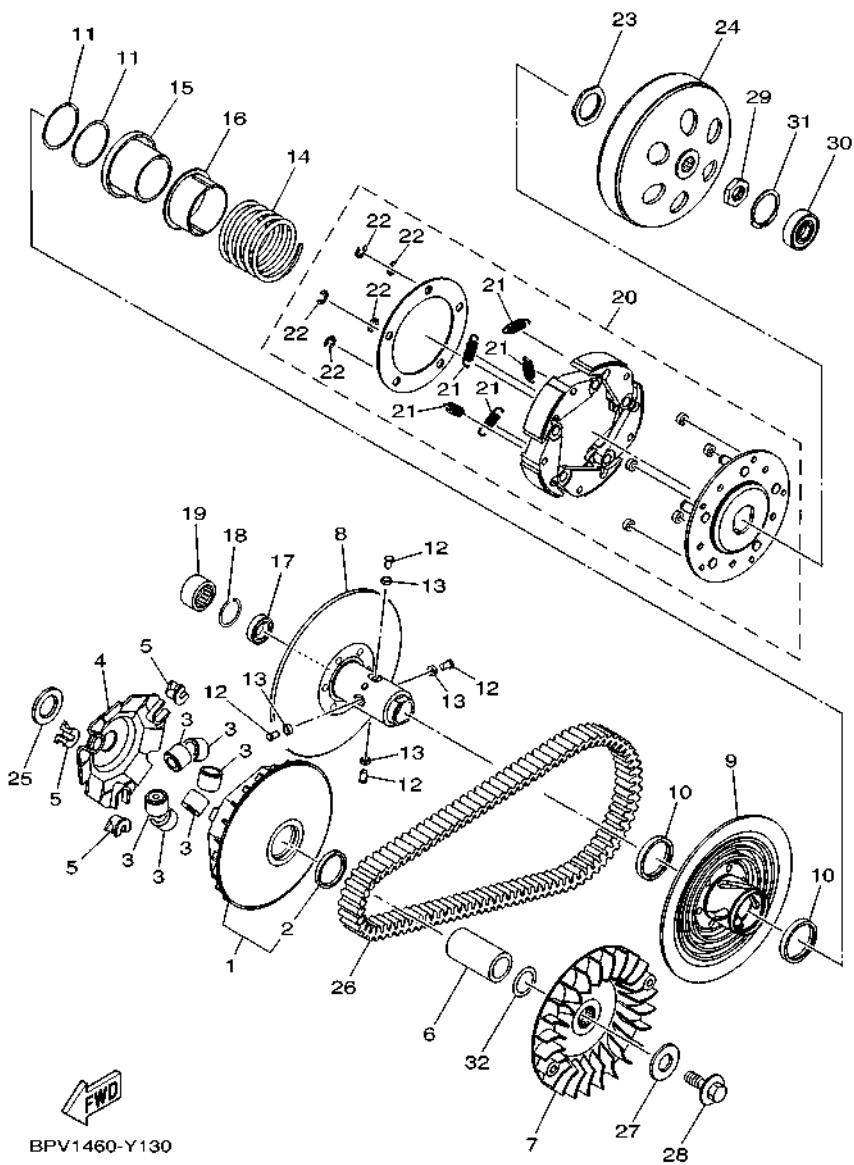
  
 B741300-S120



BPV1460-Y130

FIG. 13 CLUTCH

REF. NO.	PART NO.	DESCRIPTION	BPW3				REMARKS
1	B74-E7620-00	PRIMARY SLIDING SHEAVE COMP.	1				
2	B74-E7465-20	.SEAL	1				
3	B74-E7632-00	WEIGHT	6				
4	B74-E7623-00	CAM	1				
5	B74-E7653-00	SLIDER	3				
6	B74-E7674-00	COLLAR, GUIDE	1				
7	B74-E7611-00	SHEAVE, PRIMARY FIXED	1				
8	B74-E7660-00	SECONDARY FIXED SHEAVE COMP.	1				
9	BG6-E7670-00	SECONDARY SLIDING SHEAVE	1				
10	B74-E7465-00	SEAL	2				
11	B74-E7465-10	SEAL	2				
12	B74-E7664-00	PIN, GUIDE	4				
13	B74-E7674-10	COLLAR, GUIDE	4				
14	B74-E7683-00	SPRING, SECONDARY	1				
15	B74-E7684-00	SEAT, SECONDARY SPRING	1				
16	B74-E7644-00	SEAT, SPRING	1				
17	B74-E7678-01	BEARING	1				
18	B74-E5744-00	CIRCLIP	1				
19	B74-E7678-10	BEARING	1				
20	B74-E6620-00	CLUTCH CARRIER ASSY	1				
21	B74-E6626-00	.SPRING, CLUTCH WEIGHT 1	5				
22	54P-E6819-00	.CIRCLIP, CLUTCH	5				
23	B74-E7668-00	NUT	1				
24	B74-E6611-00	CLUTCH HOUSING COMP.	1				
25	90201-23015	WASHER, PLATE	1				
26	B5X-E7641-00	V-BELT	1				
27	90201-19014	WASHER, PLATE	1				

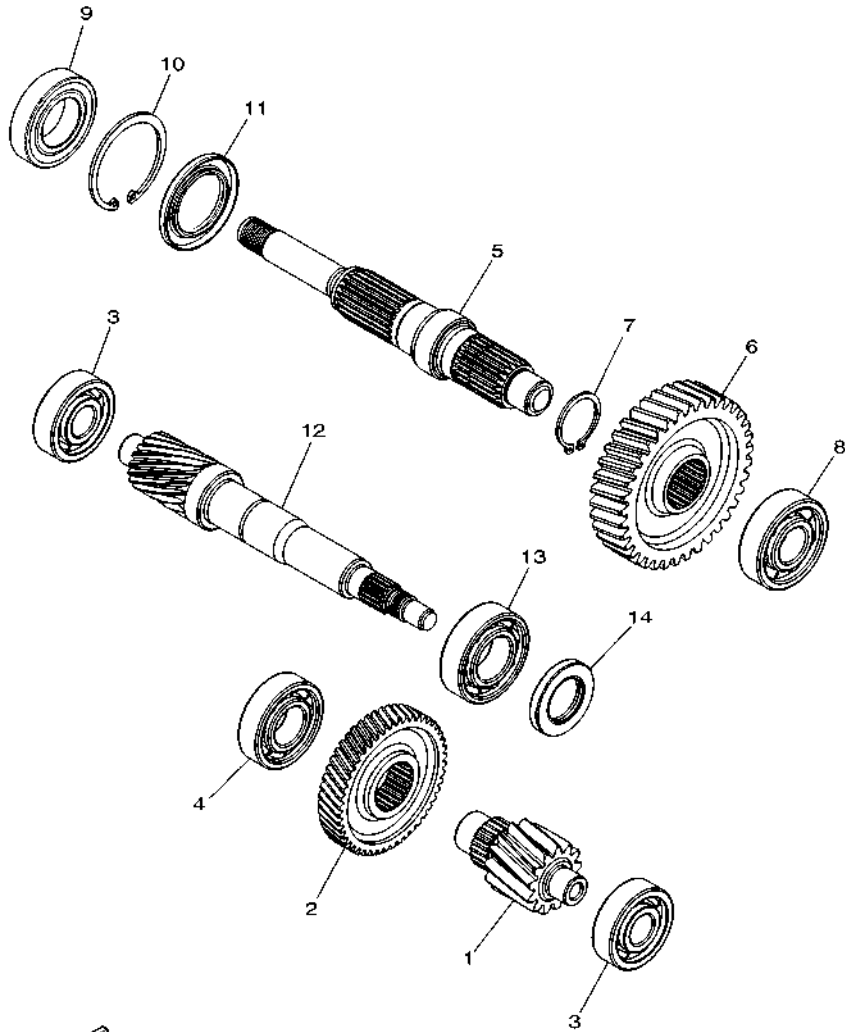


BPV1460-Y130

FIG. 13 CLUTCH

REF. NO.	PART NO.	DESCRIPTION	BPW3	REMARKS
28	90105-12807	BOLT, FLANGE	1	
29	90170-14802	NUT	1	
30	B74-E7412-00	BEARING	1	
31	99009-40700	CIRCLIP	1	
32	90201-23801	WASHER, PLATE	1	

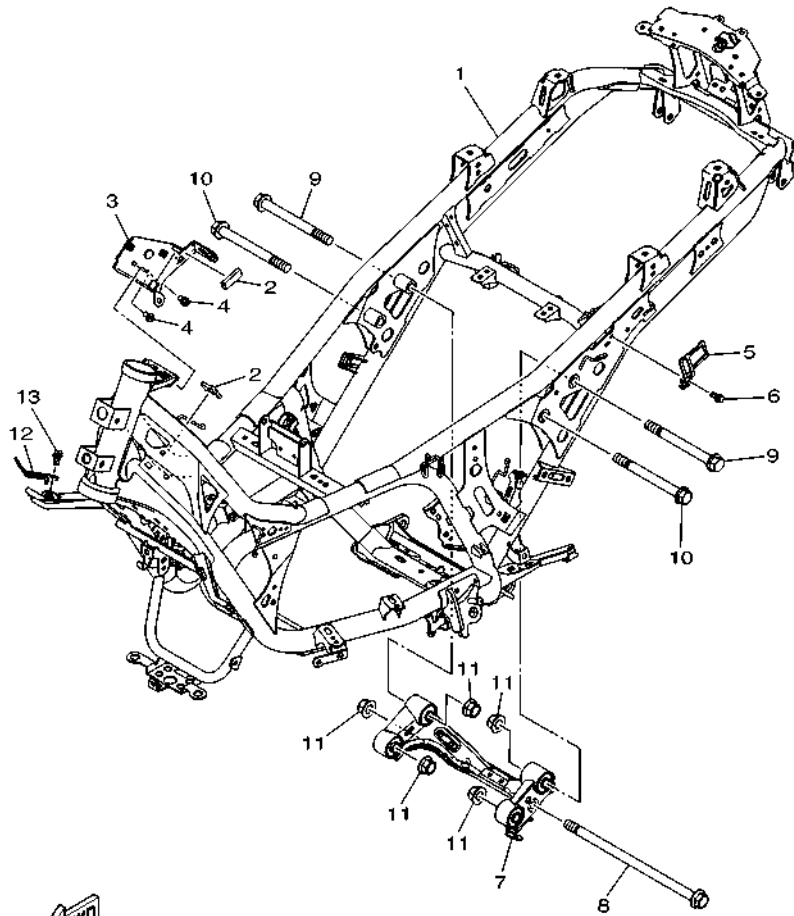




B741300-S140

FIG. 14 TRANSMISSION

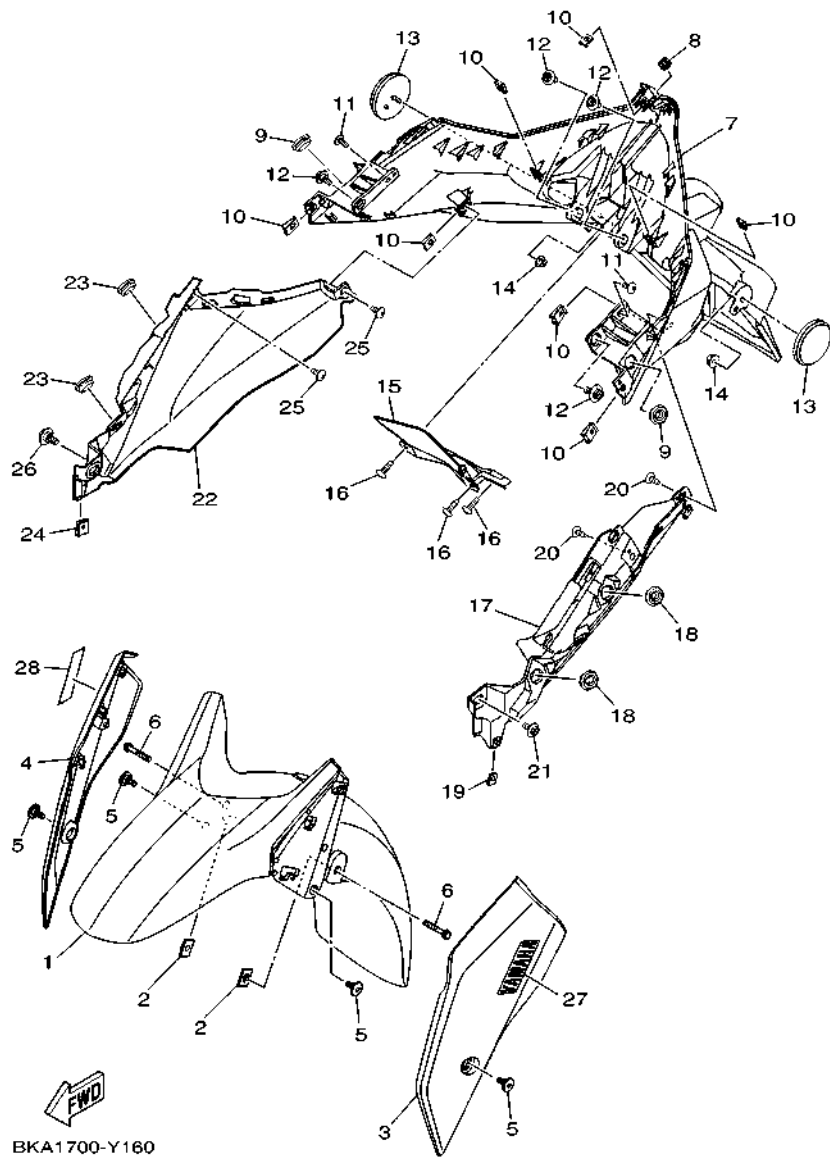
REF. NO.	PART NO.	DESCRIPTION	BPW3				REMARKS
1	B74-E7411-10	AXLE, MAIN (13T)	1				
2	B74-E6151-00	GEAR, PRIMARY DRIVEN (48T)	1				
3	93306-303YT	BEARING	2				
4	93306-272YC	BEARING	1				
5	B74-E7421-00	AXLE, DRIVE	1				
6	B74-E7211-00	GEAR, 1ST WHEEL (37T)	1				
7	99009-28400	CIRCLIP	1				
8	93306-304YW	BEARING	1				
9	93306-078Y1	BEARING	1				
10	99009-52500	CIRCLIP	1				
11	93102-35806	OIL SEAL	1				
12	B74-E6111-00	GEAR, PRIMARY DRIVE (18D)	1				
13	93300-205Y0	BEARING	1				
14	93102-25826	OIL SEAL	1				



BKA1700-Y150

FIG. 15 FRAME

REF. NO.	PART NO.	DESCRIPTION	BPW3				REMARKS
1	BKA-F1110-00	FRAME COMP.	1				
2	90520-04015	DAMPER, PLATE	2				
3	B74-H251P-00	BRACKET, MAIN SWITCH	1				
4	95027-06012	BOLT, FLANGE	2				
5	B74-F149S-00	BRACKET 5	1				
6	95E32-06012	BOLT, FLANGE DEEP RECESS	1				
7	B74-F1400-02	ENGINE BRACKET COMP.	1				
8	B74-F2141-00	SHAFT, PIVOT	1				
9	90105-12806	BOLT, FLANGE	2				
10	90105-12805	BOLT, FLANGE	2				
11	95602-12200	NUT, SELF-LOCKING	5				
12	BKA-F1168-00	BRACKET	1				
13	95E32-06012	BOLT, FLANGE DEEP RECESS	1				



**FIG. 16 FENDER**

REF. NO.	PART NO.	DESCRIPTION	BPW3	REMARKS
1	BKA-F1511-00	FENDER, FRONT	1	
2	90179-06055	NUT	2	
3	BKA-F1513-00-P0	STAY, FENDER 1	1	UR FOR MDNM8
	BKA-F1513-00-P3	STAY, FENDER 1	1	UR FOR RSH
4	BKA-F1514-00-P0	STAY, FENDER 2	1	UR FOR MDNM8
	BKA-F1514-00-P3	STAY, FENDER 2	1	UR FOR RSH
5	90109-068C5	BOLT	4	
6	91337-06035	BOLT	2	
7	BKA-F1611-00	FENDER, REAR	1	
8	50C-H4759-00	GROMMET	1	
9	90480-01559	GROMMET	2	
10	90183-05807	NUT, SPRING	7	
11	97702-50012	SCREW, TAPPING	2	
12	90109-068B5	BOLT	4	
13	2FC-H5111-00	REFLECTOR, 1	2	
14	95707-05500	NUT, FLANGE	2	
15	BKA-F1651-00	COVER, REAR FENDER	1	
16	97707-50016	SCREW, TRUSS HEAD TAPPING	3	
17	BKA-F172A-00	PANEL 1	1	
18	90480-01559	GROMMET	2	
19	90183-05807	NUT, SPRING	1	
20	97702-50012	SCREW, TAPPING	2	
21	90109-068B5	BOLT	1	
22	BKA-F172F-00	PANEL 2	1	
23	90480-01559	GROMMET	2	
24	90183-05807	NUT, SPRING	1	
25	97702-50012	SCREW, TAPPING	2	

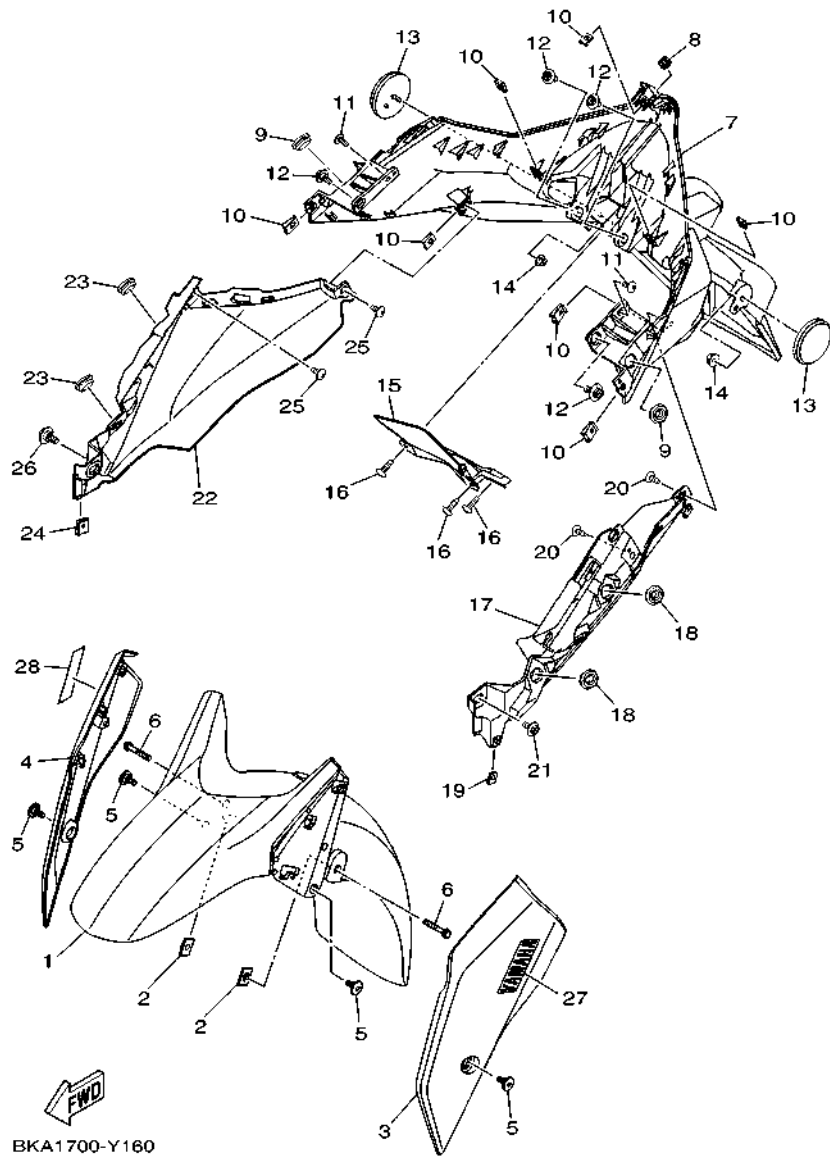
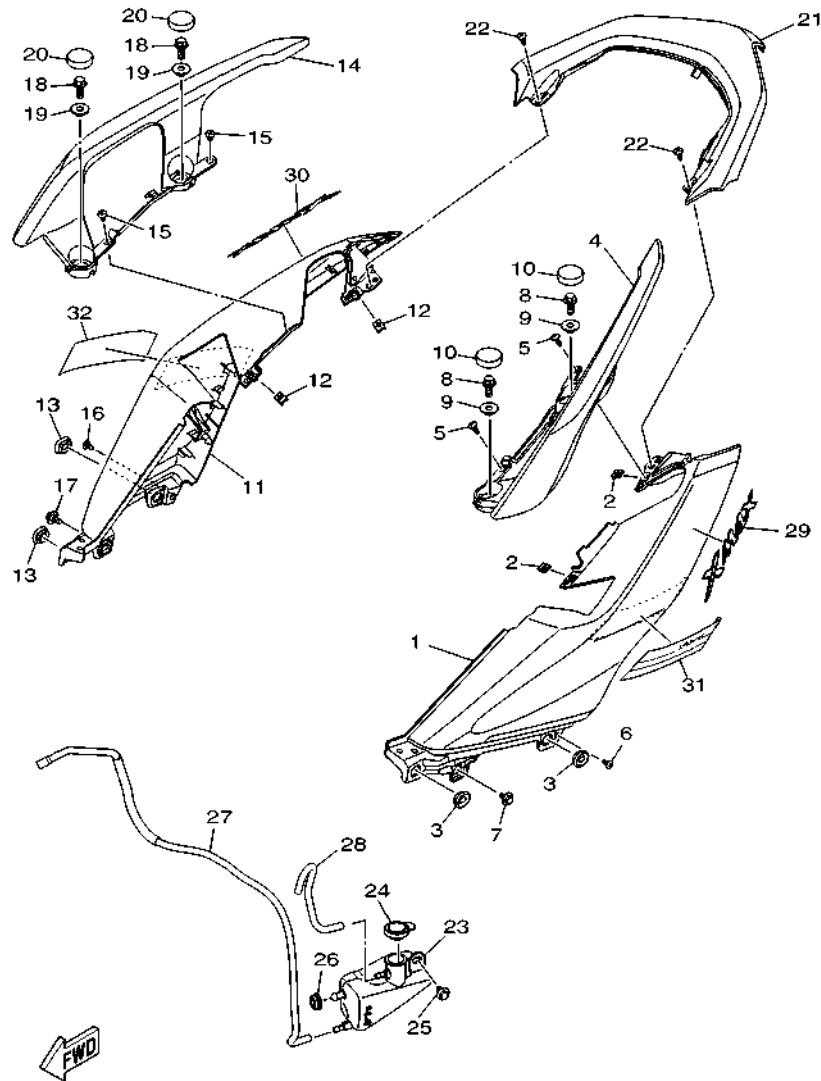


FIG. 16 FENDER

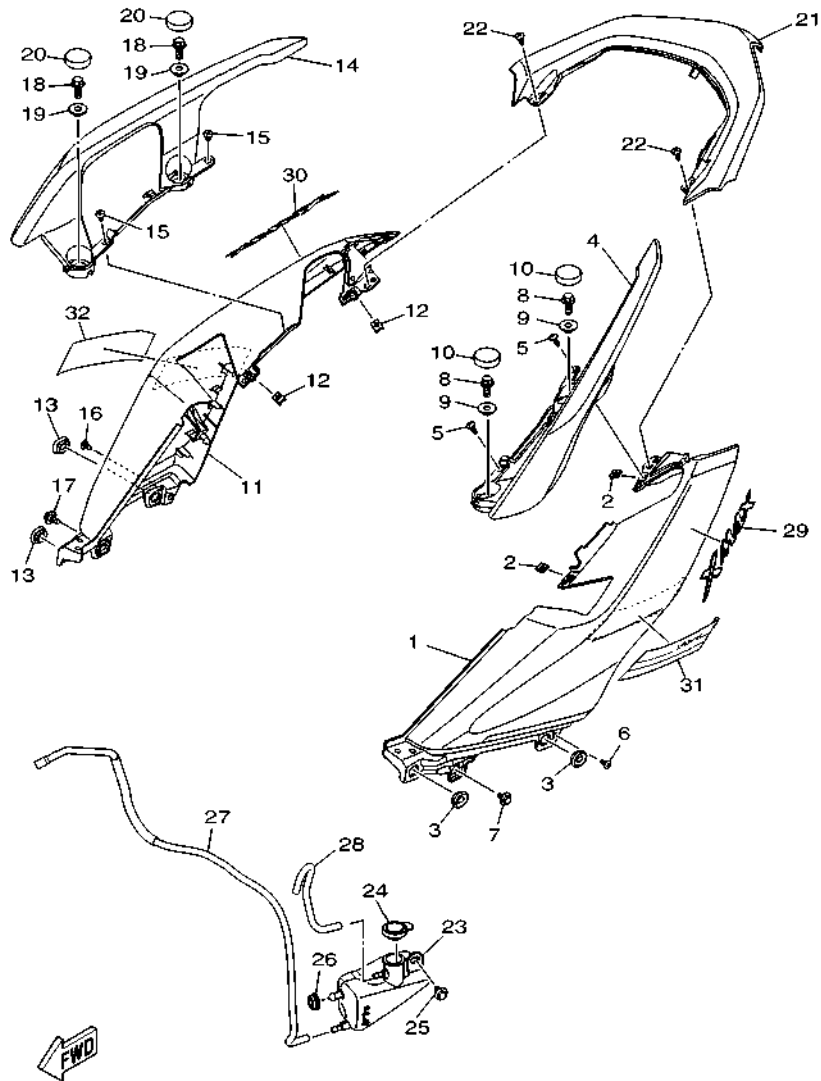
REF. NO.	PART NO.	DESCRIPTION	BPW3				REMARKS
26	90109-068B5	BOLT	1				
27	1WD-F153E-60	EMBLEM, YAMAHA	1				UR FOR MDNM8
	1WD-F153E-30	EMBLEM, YAMAHA	1				UR FOR RSH
28	1WD-F153E-60	EMBLEM, YAMAHA	1				UR FOR MDNM8
	1WD-F153E-30	EMBLEM, YAMAHA	1				UR FOR RSH
<hr/>							
<hr/>							
<hr/>							
<hr/>							
<hr/>							
<hr/>							
<hr/>							
<hr/>							
<hr/>							
<hr/>							



BKA3110-Y170

FIG. 17 SIDE COVER

REF. NO.	PART NO.	DESCRIPTION	BPW3	REMARKS
1	BKA-F1731-00-P0	COVER, SIDE 3	1	UR FOR MDNM8
	BKA-F1731-00-P3	COVER, SIDE 3	1	UR FOR RSH
2	90183-05807	NUT, SPRING	2	
3	90480-01559	GROMMET	2	
4	BX9-F474A-00-PB	ASSIST, GRIP	1	UR FOR MDNM8
	BX9-F474A-00-PF	ASSIST, GRIP	1	UR FOR RSH
5	97707-50016	SCREW, TRUSS HEAD TAPPING	2	
6	97702-50012	SCREW, TAPPING	1	
7	90109-068B5	BOLT	1	
8	95812-08020	BOLT, FLANGE	2	
9	90387-08839	COLLAR	2	
10	B74-F3469-00	CAP, BOLT	2	
11	BKA-F1741-00-P0	COVER, SIDE 4	1	UR FOR MDNM8
	BKA-F1741-00-P3	COVER, SIDE 4	1	UR FOR RSH
12	90183-05807	NUT, SPRING	2	
13	90480-01559	GROMMET	2	
14	BX9-F474W-00-PA	ASSIST,GRIP 2	1	UR FOR MDNM8
	BX9-F474W-00-PE	ASSIST,GRIP 2	1	UR FOR RSH
15	97707-50016	SCREW, TRUSS HEAD TAPPING	2	
16	97702-50012	SCREW, TAPPING	1	
17	90109-068B5	BOLT	1	
18	95812-08020	BOLT, FLANGE	2	
19	90387-08839	COLLAR	2	
20	B74-F3469-00	CAP, BOLT	2	
21	BKA-H4716-00-P0	COVER, TAILLIGHT	1	SM12
22	97707-50016	SCREW, TRUSS HEAD TAPPING	2	
23	B74-F1871-00	TANK, RECOVERY	1	

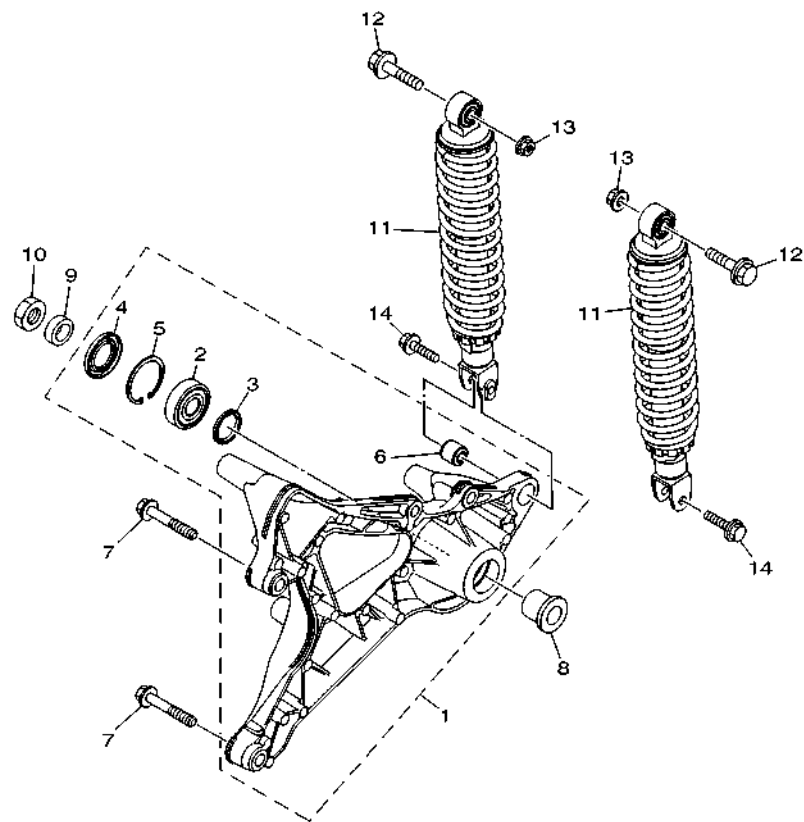


BKA3110-Y170

FIG. 17 SIDE COVER

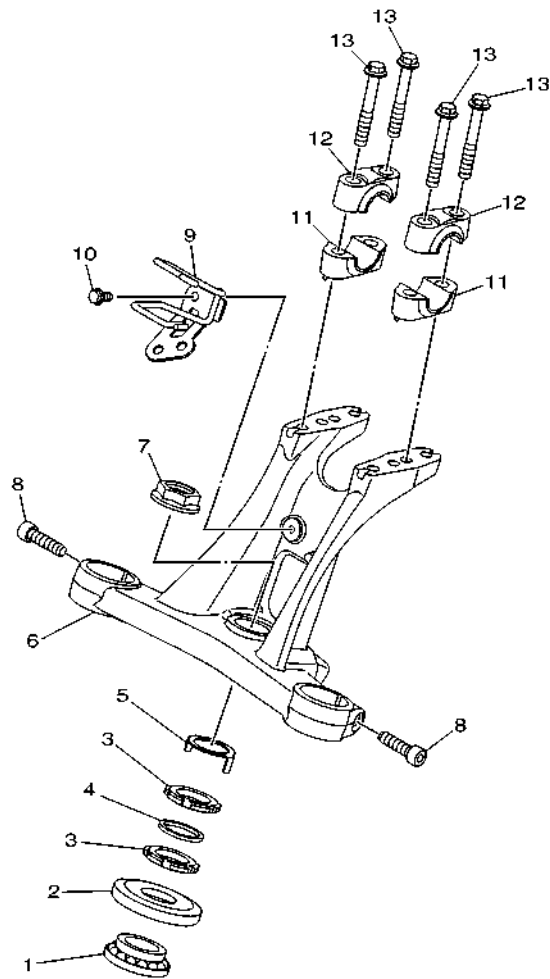
REF. NO.	PART NO.	DESCRIPTION	BPW3	REMARKS
24	1S7-F1875-01	CAP	1	
25	90109-068B5	BOLT	1	
26	90480-13567	GROMMET	1	
27	BKA-F1816-00	PIPE 1	1	
28	B74-F1817-01	PIPE 2	1	
29	B74-F173B-40	EMBLEM 3D	1	UR FOR MDNM8
	B74-F173B-20	EMBLEM 3D	1	UR FOR RSH
30	B74-F173B-40	EMBLEM 3D	1	UR FOR MDNM8
	B74-F173B-20	EMBLEM 3D	1	UR FOR RSH
31	BKA-F173E-20	GRAPHIC 1	1	UR FOR MDNM8
	BKA-F173E-10	GRAPHIC 1	1	UR FOR RSH
32	BKA-F173F-20	GRAPHIC 2	1	UR FOR MDNM8
	BKA-F173F-10	GRAPHIC 2	1	UR FOR RSH

**FIG. 18 REAR ARM & SUSPENSION**



  
B5X1700-W180

REF. NO.	PART NO.	DESCRIPTION	BPW3				REMARKS
1	B74-F2100-00	REAR ARM ASSY	1				
2	93306-303YV	.BEARING	1				
3	93106-28801	.OIL SEAL	1				
4	93106-28813	.OIL SEAL	1				
5	99009-47500	.CIRCLIP	1				
6	90388-08803	.DAMPER	1				
7	95817-10060	BOLT, FLANGE	2				
8	B74-F5183-00	COLLAR, WHEEL	1				
9	90387-17807	COLLAR	1				
10	90185-16800	NUT, SELF-LOCKING	1				
11	B74-F2210-10	SHOCK ABSORBER ASSY, REAR	2				
12	95D37-10040	BOLT, FLANGE DEEP RECESS	2				
13	95607-10200	NUT, U FLANGE	2				
14	95817-08030	BOLT, FLANGE	2				

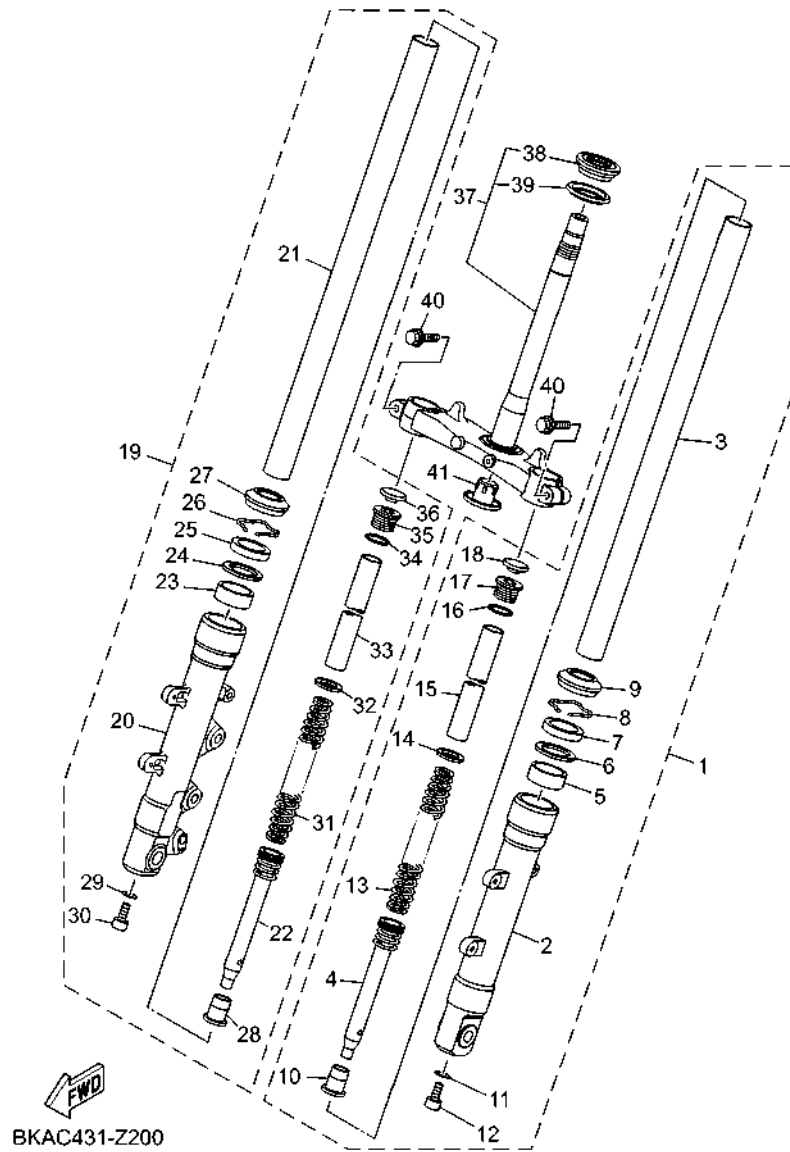


B741300-S190

FIG. 19 STEERING

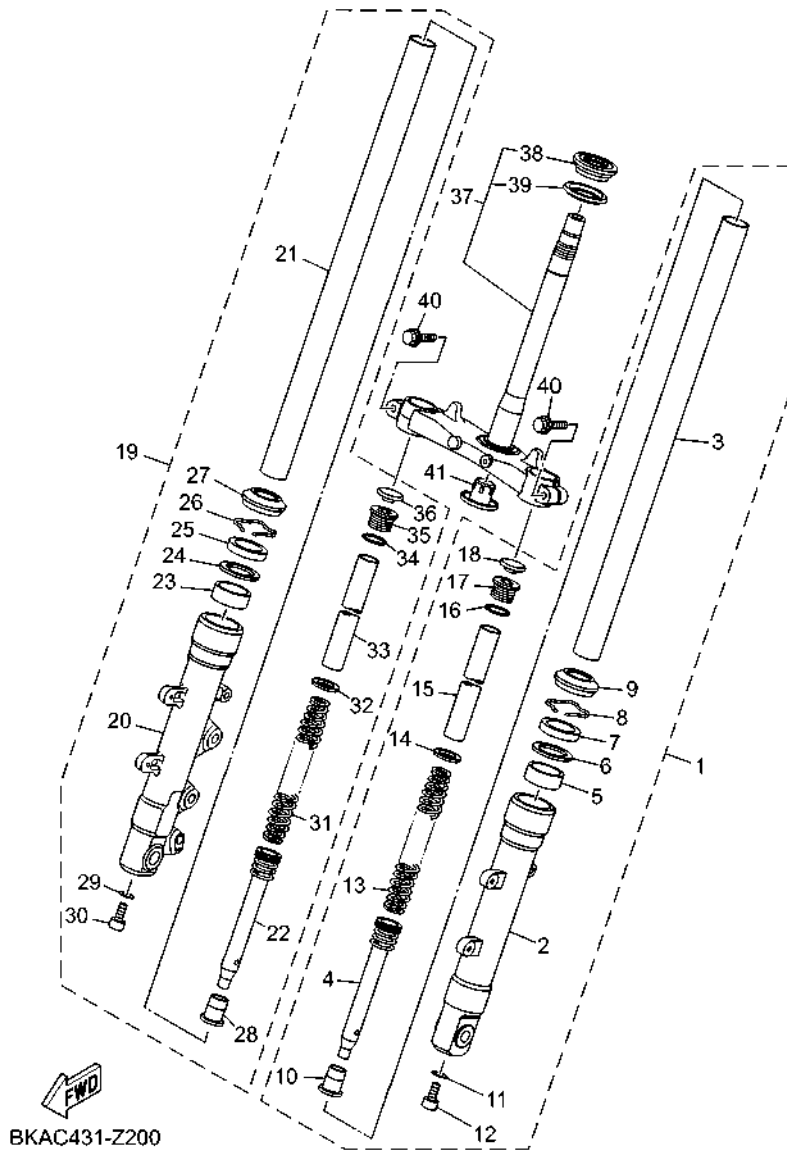
REF. NO.	PART NO.	DESCRIPTION	BPW3				REMARKS
1	93399-999Y3	BEARING	1				
2	5BP-F3416-10	COVER, BALL RACE 2	1				
3	90179-25810	NUT	2				
4	90202-26142	WASHER, PLATE	1				
5	5BP-F3418-00	WASHER, SPECIAL	1				
6	B74-F3435-00	CROWN, HANDLE	1				
7	90179-22025	NUT	1				
8	91312-08030	BOLT, HEXAGON SOCKET HEAD	2				
9	B74-F312H-00	CLAMP	1				
10	95E32-06012	BOLT, FLANGE DEEP RECESS	1				
11	B74-F3442-00	HOLDER, HANDLE LOWER	2				
12	B74-F3441-00	HOLDER, HANDLE UPPER	2				
13	95E32-08055	BOLT, FLANGE DEEP RECESS	4				





**FIG. 20 FRONT FORK**

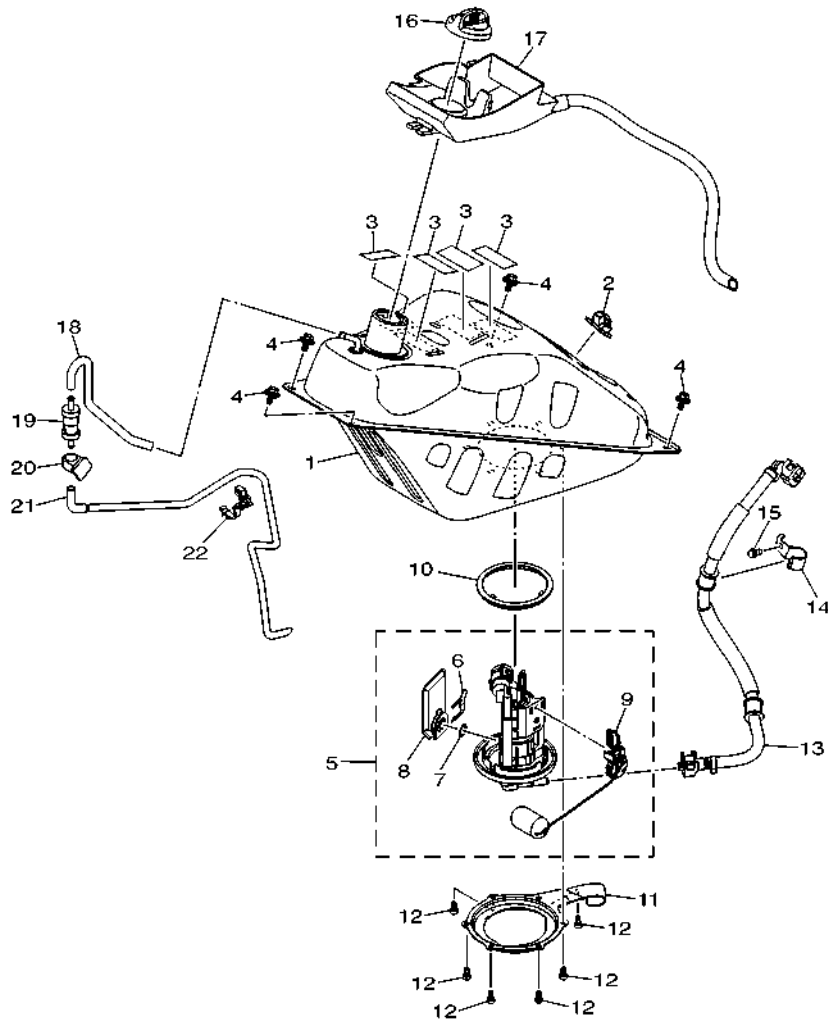
REF. NO.	PART NO.	DESCRIPTION	BPW3				REMARKS
1	BG6-F3102-00	FRONT FORK ASSY (L.H)	1				
2	B74-F3126-00	.TUBE, OUTER (L.H)	1				
3	BG6-F3107-00	.INNER TUBE COMP.	1				
4	B74-F3170-00	.CYLINDER COMP., FRONT FORK	1				
5	4HC-23125-20	.METAL, SLIDE 1	1				
6	22W-23146-L0	.WASHER, OIL SEAL	1				
7	5BP-F3145-00	.OIL SEAL	1				
8	22W-F3156-L0	.RING, SNAP	1				
9	5BP-F3144-00	.SEAL, DUST	1				
10	2CM-F3166-00	.SPACER, OIL LOCK	1				
11	2BU-F3158-00	.GASKET	1				
12	31B-F3181-00	.BOLT, HEXAGON SOCKET HEAD	1				
13	B74-F3141-00	.SPRING, FRONT FORK	1				
14	2JK-F3149-01	.WASHER, SPRING UPPER	1				
15	B74-F3118-00	.SPACER	1				
16	2JK-F3114-00	.GASKET	1				
17	5BP-F3111-10	.BOLT, CAP	1				
18	2N4-23168-00	.PLUG	1				
19	BG6-F3103-00	FRONT FORK ASSY (R.H)	1				
20	B74-F3136-00	.TUBE, OUTER 2	1				
21	BG6-F3107-00	.INNER TUBE COMP.	1				
22	B74-F3170-00	.CYLINDER COMP., FRONT FORK	1				
23	4HC-23125-20	.METAL, SLIDE 1	1				
24	22W-23146-L0	.WASHER, OIL SEAL	1				
25	5BP-F3145-00	.OIL SEAL	1				
26	22W-F3156-L0	.RING, SNAP	1				
27	5BP-F3144-00	.SEAL, DUST	1				



**FIG. 20 FRONT FORK**

REF. NO.	PART NO.	DESCRIPTION	BPW3				REMARKS
28	2CM-F3166-00	.SPACER, OIL LOCK	1				
29	2BU-F3158-00	.GASKET	1				
30	31B-F3181-00	.BOLT, HEXAGON SOCKET HEAD	1				
31	B74-F3141-00	.SPRING, FRONT FORK	1				
32	2JK-F3149-01	.WASHER, SPRING UPPER	1				
33	B74-F3118-00	.SPACER	1				
34	2JK-F3114-00	.GASKET	1				
35	5BP-F3111-10	.BOLT, CAP	1				
36	2N4-23168-00	.PLUG	1				
37	B74-F3340-00	UNDER BRACKET COMP.	1				
38	93399-99932	.BEARING	1				
39	3FV-23462-00	.SEAL, STEERING	1				
40	2JK-F3346-00	BOLT 1	2				
41	B65-F3123-00	COVER, UNDER 1	1				

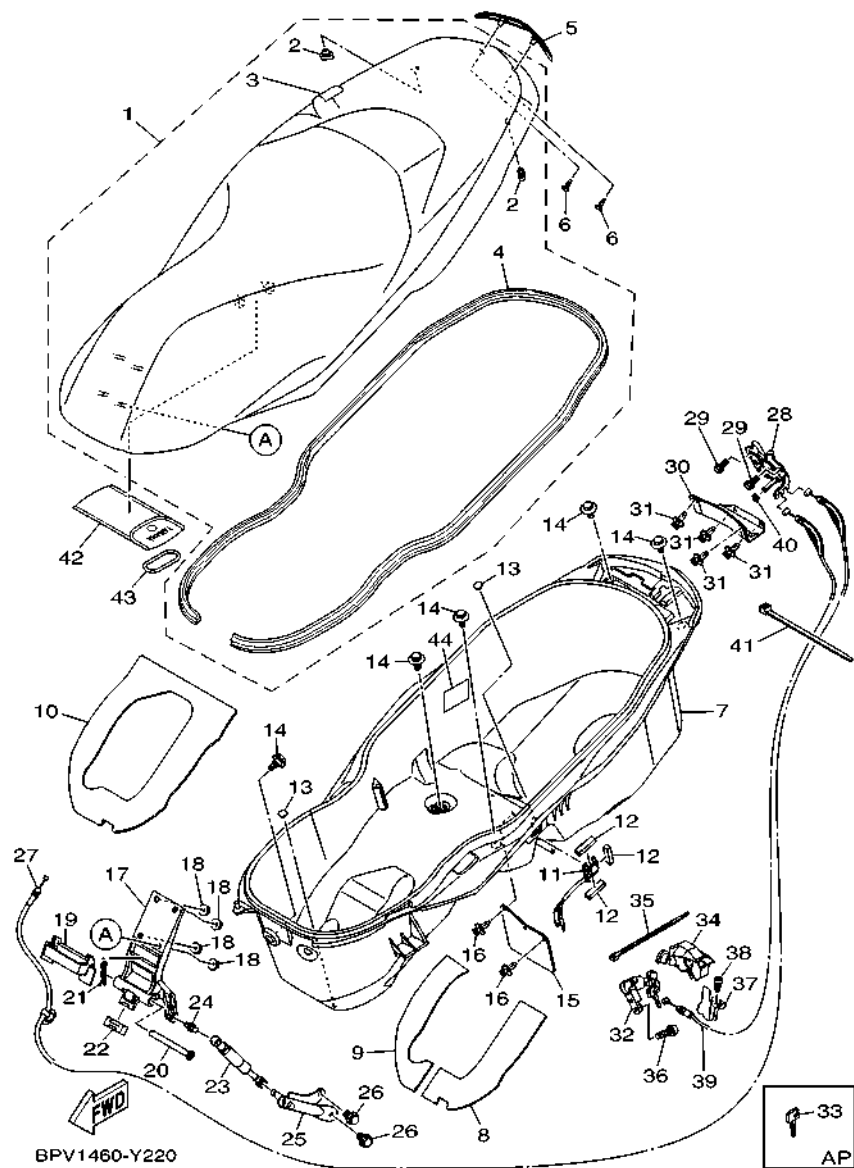
**FIG. 21 FUEL TANK**



**FWD**  
BG61460-S210

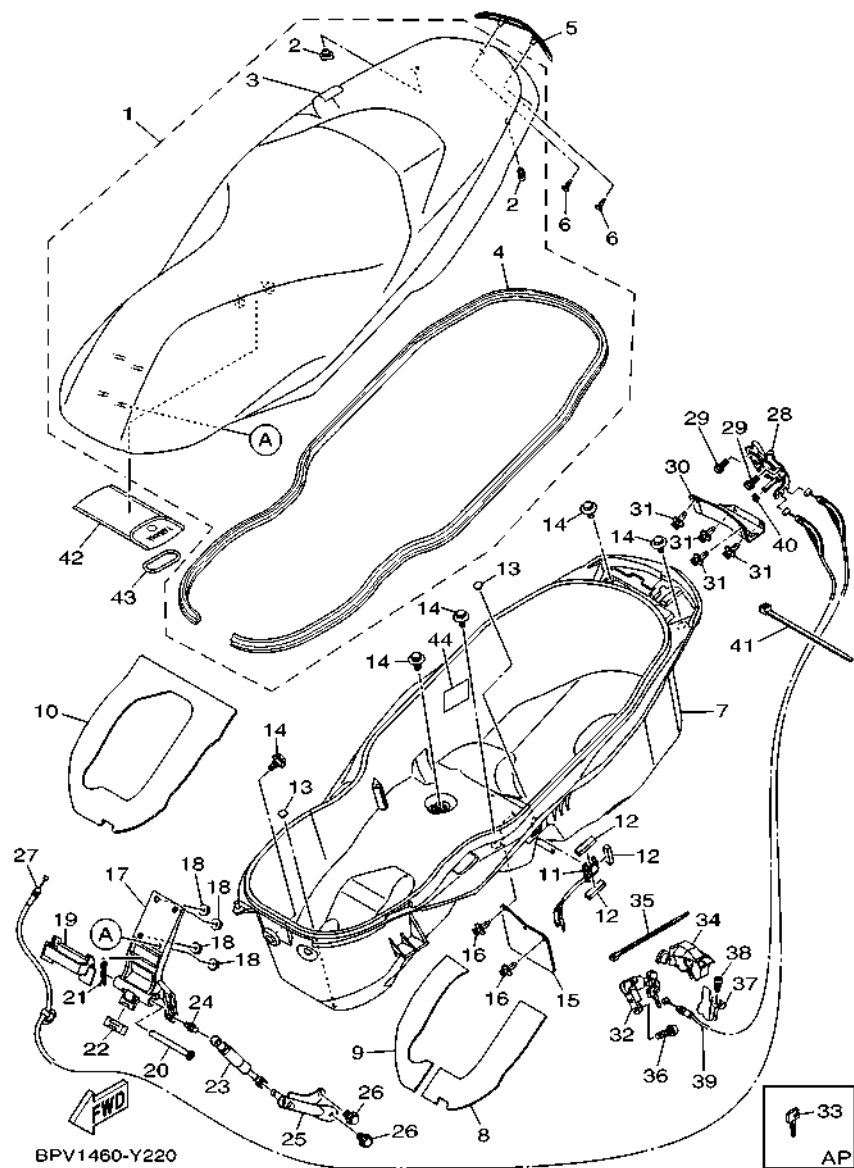
REF. NO.	PART NO.	DESCRIPTION	BPW3				REMARKS
1	B74-F4110-03	FUEL TANK COMP.	1				
2	90464-13185	CLAMP	1				
3	5D9-F414G-00	SEAL	4				
4	90119-068A2	BOLT, WITH WASHER	4				
5	B74-E3907-01	FUEL PUMP COMP.	1				
6	3C1-F4519-00	.CLIP	1				
7	3C1-24512-00	.GASKET	1				
8	3C1-E3915-00	.FILTER	1				
9	B74-H5752-00	.SENDER	1				
10	3C1-F4486-00	O-RING	1				
11	B74-F4425-00	BRACKET, FUEL PUMP 1	1				
12	91312-05010	BOLT, HEXAGON SOCKET HEAD	6				
13	B74-E3971-01	PIPE, FUEL 1	1				
14	B74-F419A-00	HOLDER	1				
15	95E32-06012	BOLT, FLANGE DEEP RECESS	1				
16	B74-F4610-00	CAP ASSY	1				
17	B74-F414A-00	COVER, FILLER	1				
18	B74-F4313-00	PIPE 3	1				
19	1DW-F4180-02	ROLL OVER VALVE ASSY	1				
20	B74-F4135-00	CLAMP 1	1				
21	BG6-F4314-01	PIPE 4	1				
22	90464-10008	CLAMP	1				

FIG. 22 SEAT

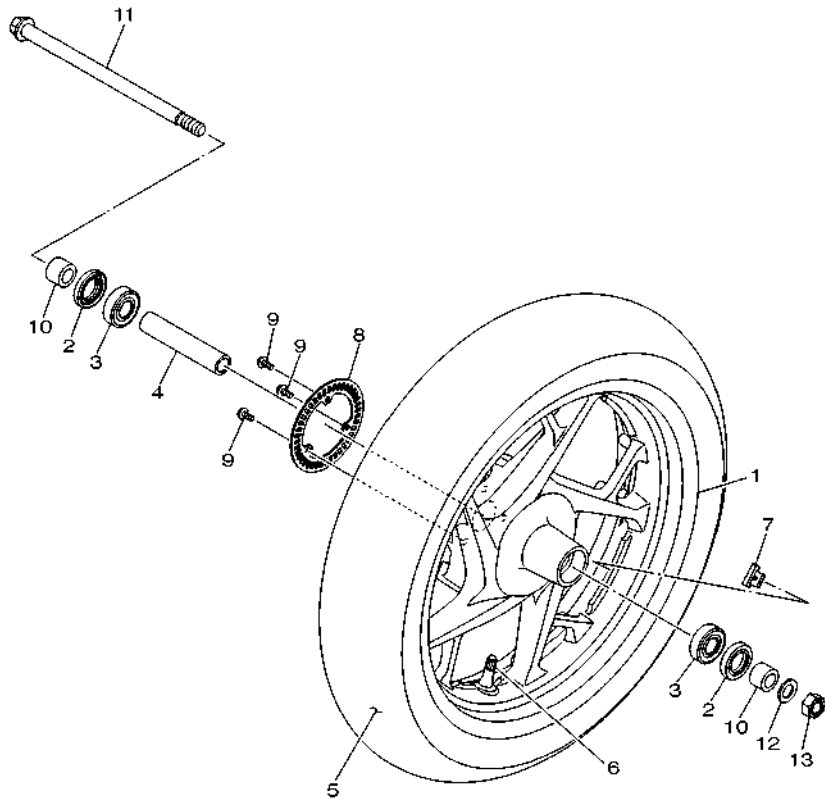


REF. NO.	PART NO.	DESCRIPTION	BPW3				REMARKS
1	BKA-F4730-00	DOUBLE SEAT ASSY	1				UR FOR MDNM8
	BKA-F4730-20	DOUBLE SEAT ASSY	1				UR FOR RSH
2	B74-F4741-00	.PAD, SEAT	2				
3	BKA-F470F-00	.SEAT COVER COMP.	1				UR FOR MDNM8
	BKA-F470F-20	.SEAT COVER COMP.	1				UR FOR RSH
4	BKA-F475M-00	.SEAL	1				
5	BED-F4786-00	EMBLEM	1				
6	97702-40012	SCREW, TAPPING	2				
7	BKA-F473R-00	BOX 1	1				
8	B74-F476U-00	PROTECTOR 1	1				
9	BKA-F476V-00	PROTECTOR,2	1				
10	BKA-F4723-00	DAMPER, SEAT	1				
11	B74-H4770-00	LAMP, ACCESSORY	1				
12	90520-10834	DAMPER, PLATE	3				
13	90338-06809	PLUG	2				
14	90109-068B5	BOLT	5				
15	B74-F1621-00	FLAP	1				
16	90269-06812	RIVET	2				
17	B74-F4769-00	HINGE, SEAT	1				
18	95702-06500	NUT, FLANGE	4				
19	BKA-F4785-00	MOLE, SEAT	1				
20	B74-F4727-00	PIN, SEAT FITTING	1				
21	90468-18121	CLIP	1				
22	B74-F4639-00	STOPPER, PLATE	1				
23	B74-F478G-00	STOPPER	1				
24	B74-F474E-01	ARM	1				
25	B74-F1121-00	BRACKET, DAMPER	1				

FIG. 22 SEAT



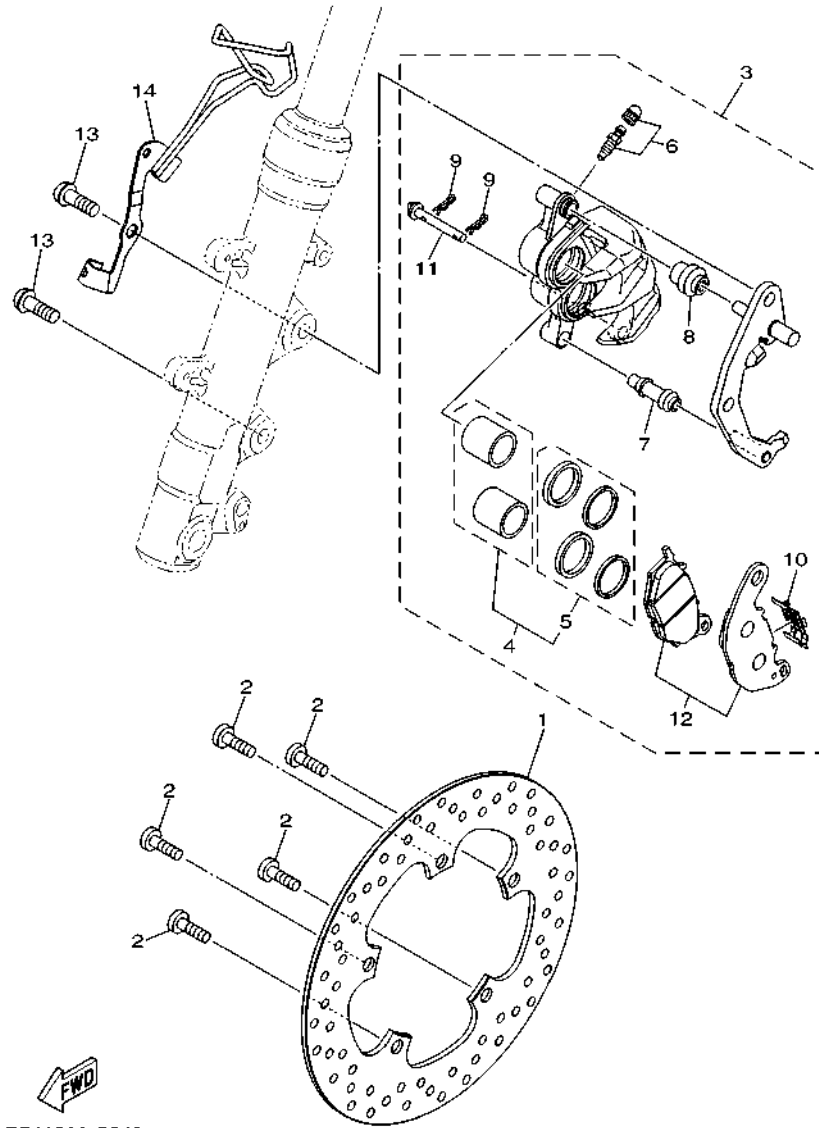
REF. NO.	PART NO.	DESCRIPTION	BPW3	REMARKS
26	95E32-08012	BOLT, FLANGE DEEP RECESS	2	
27	B74-F478E-00	CABLE, SEAT LOCK	1	
28	B65-F4780-00	SEAT LOCK ASSY	1	
29	95E32-06012	BOLT, FLANGE DEEP RECESS	2	
30	B74-F472T-01	COVER, SEAT LOCK	1	
31	90269-06812	RIVET	4	
32	B74-F465E-00	ROTOR COMP.	1	
33	B74-F4652-09	BLANK KEY	1	AP
34	B74-F465B-00	CAP, ROTOR	1	
35	90464-36800	CLAMP	1	
36	92012-06020	BOLT, BUTTON HEAD	1	
37	BKA-F471D-00	PLATE, LOCK 1	1	
38	91312-05010	BOLT, HEXAGON SOCKET HEAD	1	
39	B74-F479D-00	WIRE, SEAT LOCK 2	1	
40	1S7-F4768-00	STOPPER	1	
41	90464-50800	CLAMP	1	
42	B74-F8100-00	TOOL KIT	1	
43	B74-F8175-00	HOLDER, TOOL	1	
44	B17-F1668-00	LABEL, TIRE	1	



  
B741300-S230

**FIG. 23 FRONT WHEEL**

REF. NO.	PART NO.	DESCRIPTION	BPW3				REMARKS
1	B74-F5168-00-P2	CAST WHEEL, FRONT	1				DPBM15 FOR MDNM8
	B74-F5168-00-98	CAST WHEEL, FRONT	1				LGB FOR RSH
2	93106-22808	OIL SEAL	2				
3	933A6-202Y1	BEARING	2				
4	90387-15835	COLLAR	1				
5	94112-15800	TIRE (120/70-15 M/C 56P)	1				DUNLOP
6	93900-00828	VALVE, RIM	1				
7	5MT-25398-00	BALANCER, WHEEL (10G)	1				UN
	5MT-25398-10	BALANCER, WHEEL (20G)	1				UN
	5MT-25398-20	BALANCER, WHEEL (30G)	1				UN
8	2DP-F517G-00	ROTOR, SENSOR	1				
9	90149-05029	SCREW	3				
10	90387-15834	COLLAR	2				
11	B74-F5181-00	AXLE, WHEEL	1				
12	90201-15813	WASHER, PLATE	1				
13	90185-14801	NUT, SELF-LOCKING	1				



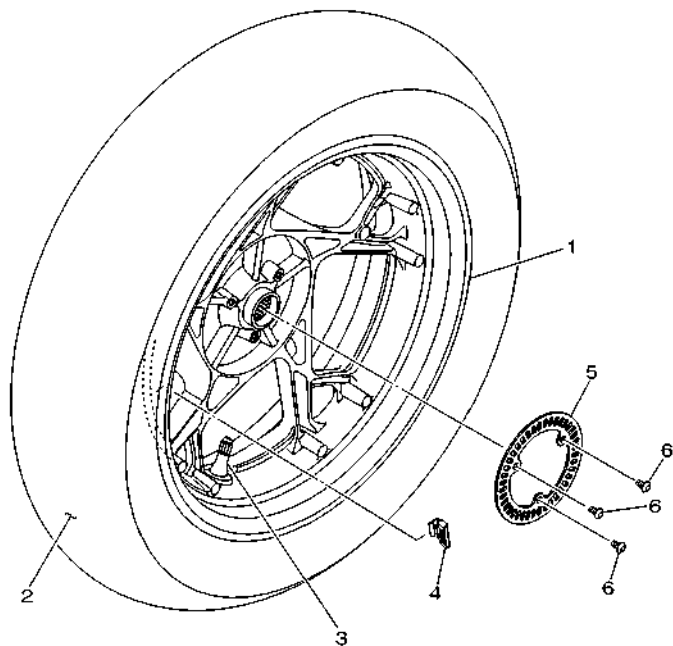
B741300-S240

**FIG. 24 FRONT BRAKE CALIPER**

REF. NO.	PART NO.	DESCRIPTION	BPW3				REMARKS
1	B74-F582U-00	DISK, BRAKE (RIGHT)	1				
2	90109-08232	BOLT	5				
3	B74-F580U-00	CALIPER ASSY (RIGHT)	1				
4	1WD-F5802-00	.PISTON ASSY, CALIPER	1				
5	1WD-F5803-00	..CALIPER SEAL KIT	1				
6	4C9-W0048-00	..BLEED SCREW KIT	1				
7	5YP-F5937-00	..BOOT 2	1				
8	5YP-F5917-00	..BOOT, CALIPER	1				
9	5YP-F5925-01	..CLIP	2				
10	1WD-F5919-00	..SUPPORT, PAD	1				
11	5YP-F5924-00	..PIN, PAD	1				
12	B74-F5805-00	..BRAKE PAD KIT	1				
13	90149-10804	SCREW	2				
14	B74-F3317-00	HOLDER, CABLE	1				

**FIG. 25 REAR WHEEL**

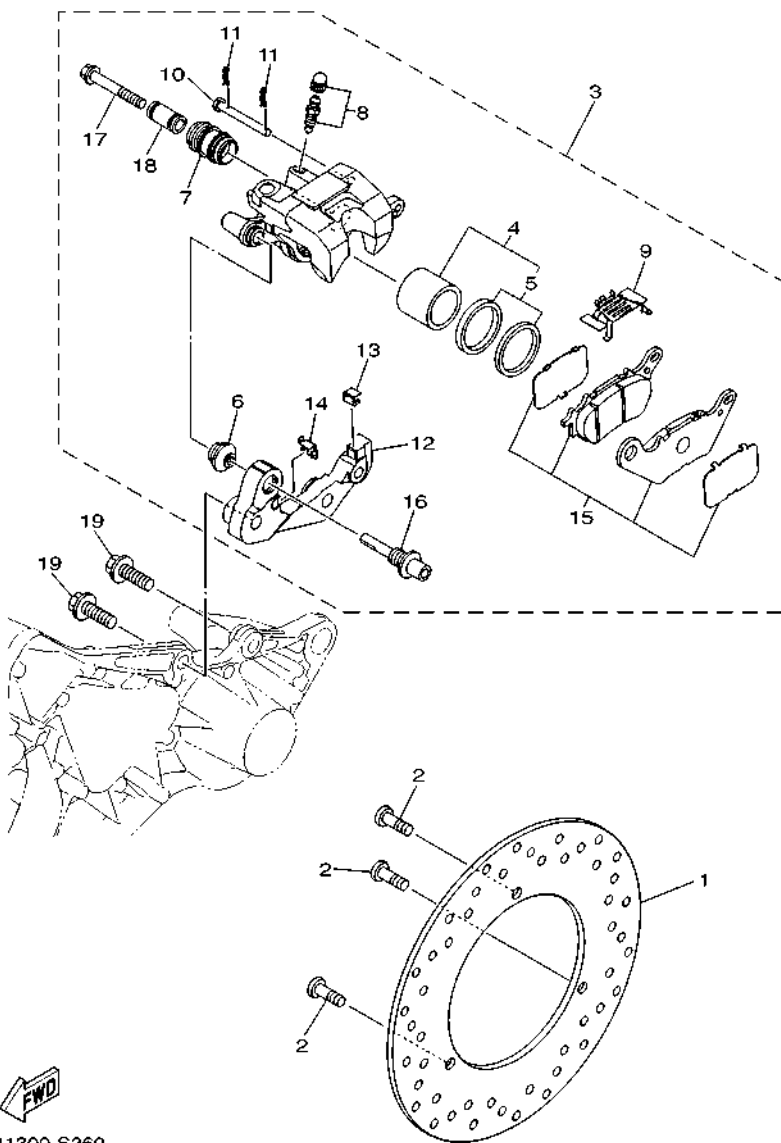
REF. NO.	PART NO.	DESCRIPTION	BPW3				REMARKS
1	B74-F5338-00-P2	CAST WHEEL, REAR	1				DPBM15 FOR MDNM8
	B74-F5338-00-98	CAST WHEEL, REAR	1				LGB FOR RSH
2	94114-14803	TIRE (140/70-14 M/C 62P)	1				DUNLOP
3	93900-00828	VALVE, RIM	1				
4	5MT-25398-00	BALANCER, WHEEL (10G)	1				UN
	5MT-25398-10	BALANCER, WHEEL (20G)	1				UN
	5MT-25398-20	BALANCER, WHEEL (30G)	1				UN
5	2DP-F517G-00	ROTOR, SENSOR	1				
6	90149-05029	SCREW	3				



B741300-S250

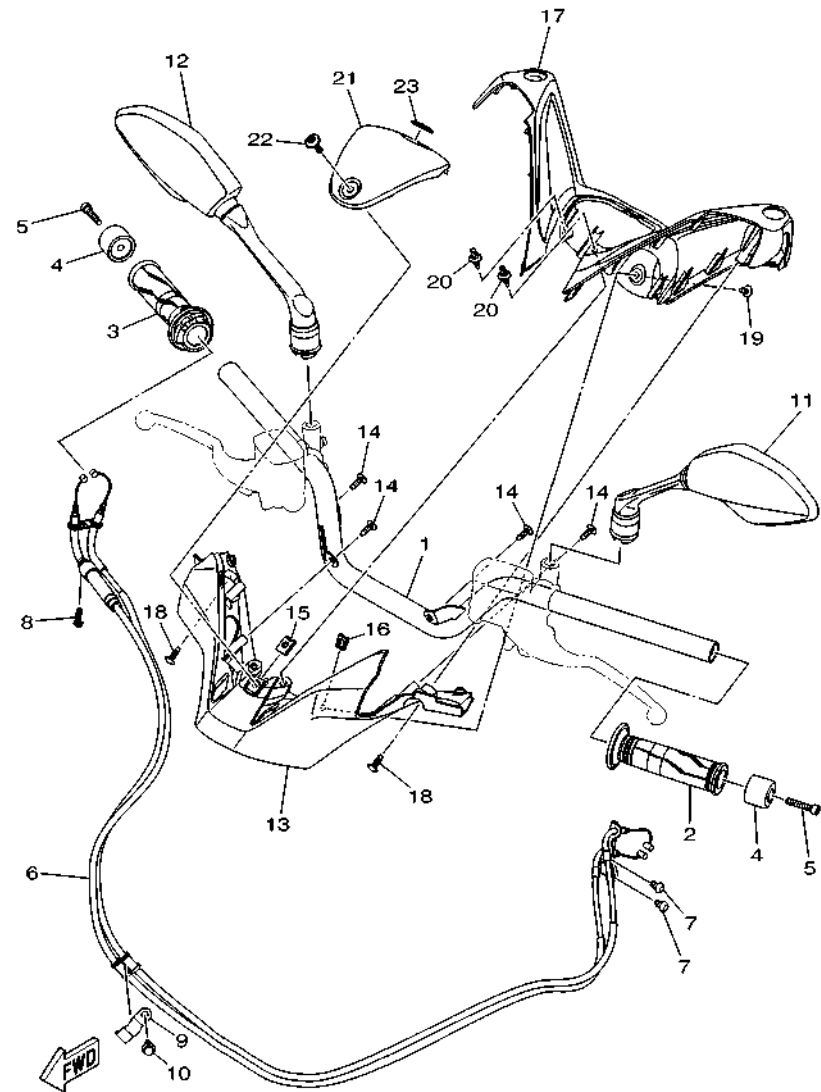


**FIG. 26 REAR BRAKE CALIPER**



B741300-S260

REF. NO.	PART NO.	DESCRIPTION	BPW3				REMARKS
1	B74-F582W-00	DISK, REAR BRAKE 2	1				
2	90111-08087	BOLT, HEXAGON SOCKET BUTTON	3				
3	B74-F580W-00	CALIPER ASSY, REAR 2	1				
4	1WD-F5802-50	.PISTON ASSY, CALIPER	1				
5	1WD-F5803-50	..CALIPER SEAL KIT	1				
6	5YP-F5917-00	.BOOT, CALIPER	1				
7	34X-25937-00	.BOOT 2	1				
8	5YP-W0048-50	.BLEED SCREW KIT	1				
9	B74-F5919-50	.SUPPORT, PAD	1				
10	1WD-F5924-50	.PIN, PAD	1				
11	5YP-F5925-01	.CLIP	2				
12	B74-F5921-50	.BRACKET, SUPPORT	1				
13	1WD-F5939-51	.PAD,SUPPORT 2	1				
14	1WD-F5939-61	.PAD,SUPPORT 2	1				
15	B74-F5806-00	.BRAKE PAD KIT 2	1				
16	1WD-F5914-50	.PIN, SLIDE	1				
17	5KN-25926-01	.BOLT	1				
18	5TL-F5838-00	.SLEEVE, CALIPER	1				
19	95817-10030	BOLT, FLANGE	2				

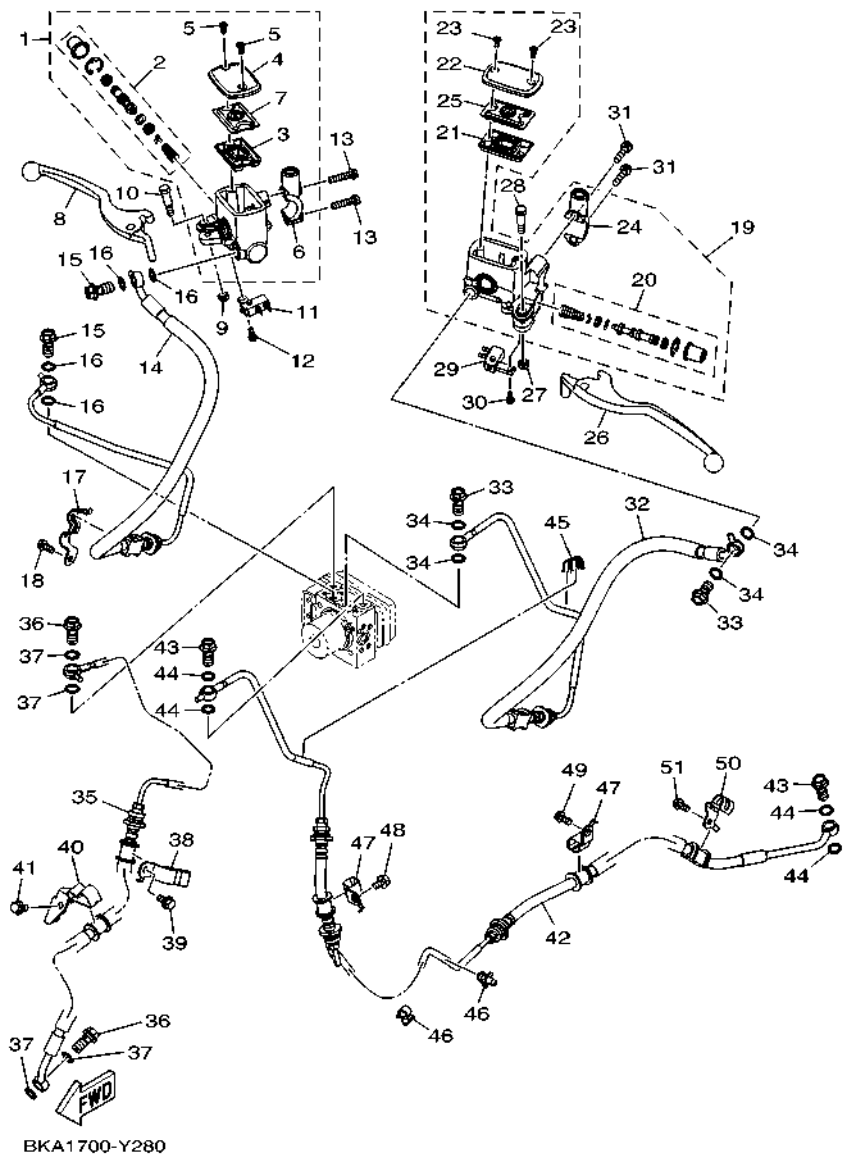


BKA1700-Y270

**FIG. 27 STEERING HANDLE & CABLE**

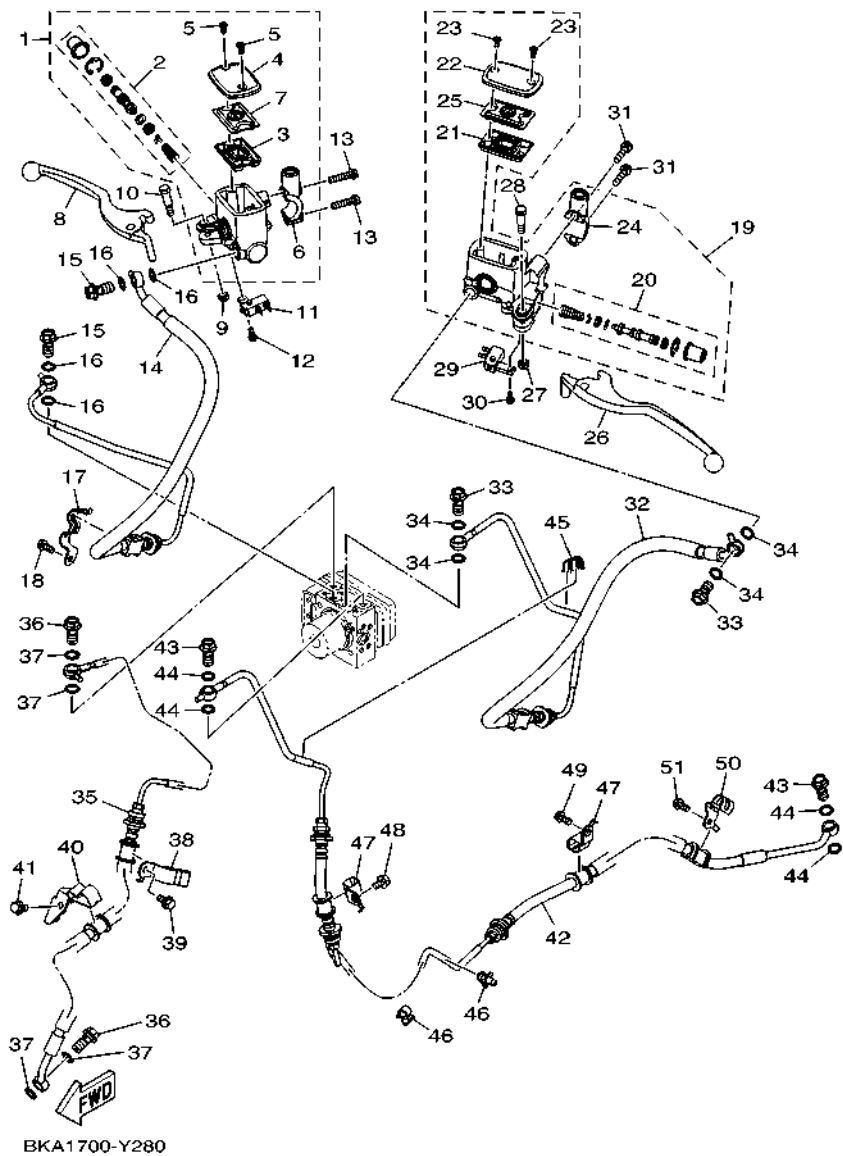
REF. NO.	PART NO.	DESCRIPTION	BPW3				REMARKS
1	BKA-F6110-00	HANDLE COMP.	1				
2	2DP-F6241-00	GRIP	1				
3	2DP-F6240-00	GRIP ASSY	1				
4	BKA-F6246-00	END, GRIP	2				
5	91317-06030	BOLT, HEXAGON SOCKET HEAD	2				
6	BKA-F6301-00	THROTTLE CABLE ASSY	1				
7	92012-06010	BOLT, BUTTON HEAD	2				
8	92017-05016	BOLT, BUTTON HEAD	1				
9	B74-F637G-00	HOLDER, WIRE	1				
10	95E32-06012	BOLT, FLANGE DEEP RECESS	1				
11	BKA-F6280-00	REAR VIEW MIRROR ASSY (LEFT)	1				
12	BKA-F6290-10	REAR VIEW MIRROR ASSY (RIGHT)	1				
13	B74-F6144-00	COVER, HANDLEBAR LOWER 1	1				
14	97702-50016	SCREW, TAPPING	4				
15	90183-06818	NUT, SPRING	1				
16	90183-05807	NUT, SPRING	1				
17	B74-F6213-00	COVER, UPPER	1				
18	90167-05076	SCREW, TAPPING	2				
19	90160-05808	SCREW, ROUND TAPPING	1				
20	90269-06816	RIVET	2				
21	B74-F6145-00-P0	COVER, HANDLE UPPER 2	1				MBL2
22	90149-06104	SCREW	1				
23	B74-F836B-00	TUNING FORK MARK	1				

**FIG. 28 FRONT MASTER CYLINDER**

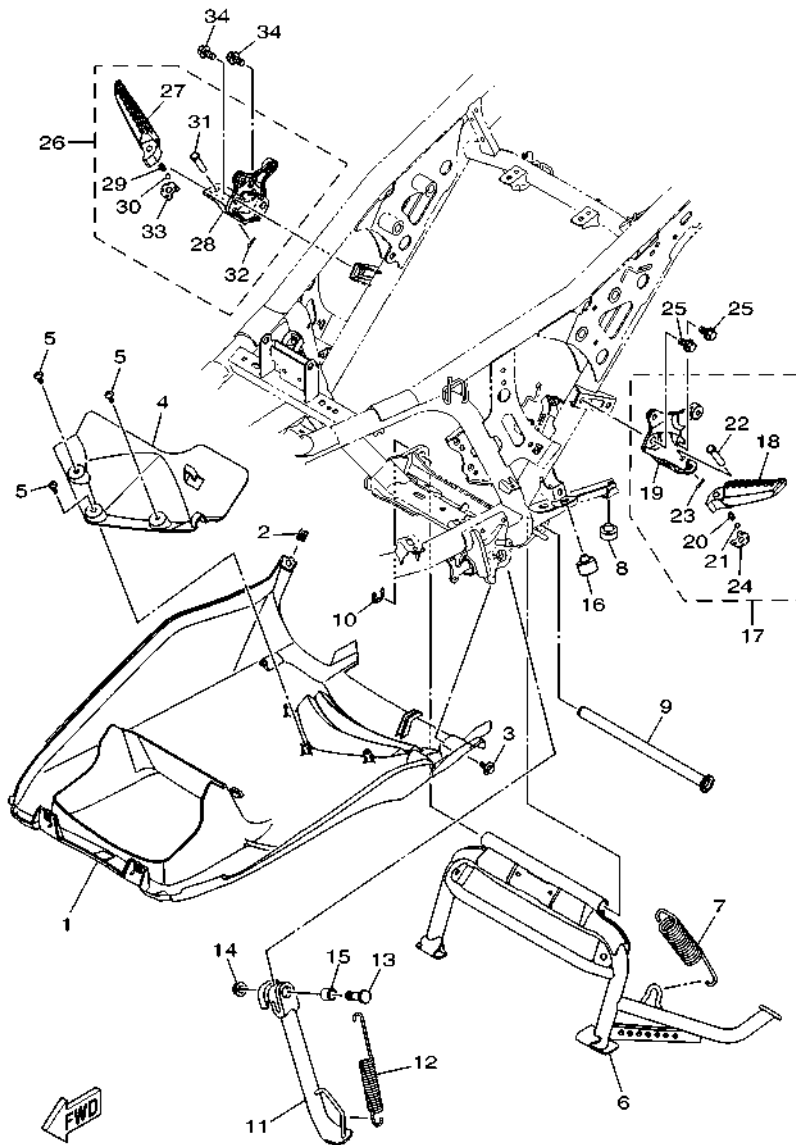


REF. NO.	PART NO.	DESCRIPTION	BPW3				REMARKS
1	BKA-F5870-10	MASTER CYLINDER SUB ASSY	1				
2	B74-F5807-00	.CYLINDER KIT, MASTER	1				
3	5RB-25854-00	.DIAPHRAGM, RESERVOIR	1				
4	1WD-F5852-00	.CAP, RESERVOIR	1				
5	36Y-2589H-00	.SCREW	2				
6	B74-F5867-00	.BRACKET, MASTER CYLINDER	1				
7	3C1-F5855-00	.BUSH,DIAPHRAGM	1				
8	BKA-H3922-00	LEVER 2	1				
9	95602-06100	NUT, SELF-LOCKING	1				
10	90109-06577	BOLT	1				
11	B6H-H3980-00	FRONT STOP SWITCH ASSY	1				
12	97602-04212	SCREW, PAN HEAD WITH WASHER	1				
13	95E37-06025	BOLT, FLANGE DEEP RECESS	2				
14	B74-F5872-00	HOSE, BRAKE 1	1				
15	90401-10812	BOLT, UNION	2				
16	90201-10118	WASHER, PLATE	4				
17	B74-F5886-00	HOLDER, BRAKE HOSE	1				
18	95E32-06012	BOLT, FLANGE DEEP RECESS	1				
19	BKA-F5870-00	MASTER CYLINDER SUB ASSY	1				
20	B74-F5807-00	.CYLINDER KIT, MASTER	1				
21	5RB-25854-00	.DIAPHRAGM, RESERVOIR	1				
22	1WD-F5852-00	.CAP, RESERVOIR	1				
23	36Y-2589H-00	.SCREW	2				
24	B74-F5867-00	.BRACKET, MASTER CYLINDER	1				
25	3C1-F5855-00	.BUSH,DIAPHRAGM	1				
26	BKA-H3912-00	LEVER 1	1				
27	95602-06100	NUT, SELF-LOCKING	1				

**FIG. 28 FRONT MASTER CYLINDER**



REF. NO.	PART NO.	DESCRIPTION	BPW3				REMARKS
28	90109-06577	BOLT	1				
29	B6H-H2530-00	STOP SWITCH ASSY	1				
30	97602-04212	SCREW, PAN HEAD WITH WASHER	1				
31	95E37-06025	BOLT, FLANGE DEEP RECESS	2				
32	B74-F5873-00	HOSE, BRAKE 2	1				
33	90401-10812	BOLT, UNION	2				
34	90201-10118	WASHER, PLATE	4				
35	B74-F5874-00	HOSE, BRAKE 3	1				
36	90401-10812	BOLT, UNION	2				
37	90201-10118	WASHER, PLATE	4				
38	B74-F5875-00	HOLDER, BRAKE HOSE 1	1				
39	95D07-06012	BOLT, FLANGE DEEP RECESS	1				
40	BKA-F5887-00	HOLDER, BRAKE HOSE 3	1				
41	95D07-06012	BOLT, FLANGE DEEP RECESS	1				
42	B74-F581J-00	HOSE, BRAKE 4	1				
43	90401-10812	BOLT, UNION	2				
44	90201-10118	WASHER, PLATE	4				
45	90464-06008	CLAMP	1				
46	90464-07805	CLAMP	2				
47	B74-F5876-00	HOLDER, BRAKE HOSE 2	2				
48	90105-06057	BOLT, FLANGE	1				
49	95D02-06012	BOLT, FLANGE DEEP RECESS	1				
50	B74-F587A-10	HOLDER, BRAKE HOSE 4	1				
51	95D07-06012	BOLT, FLANGE DEEP RECESS	1				



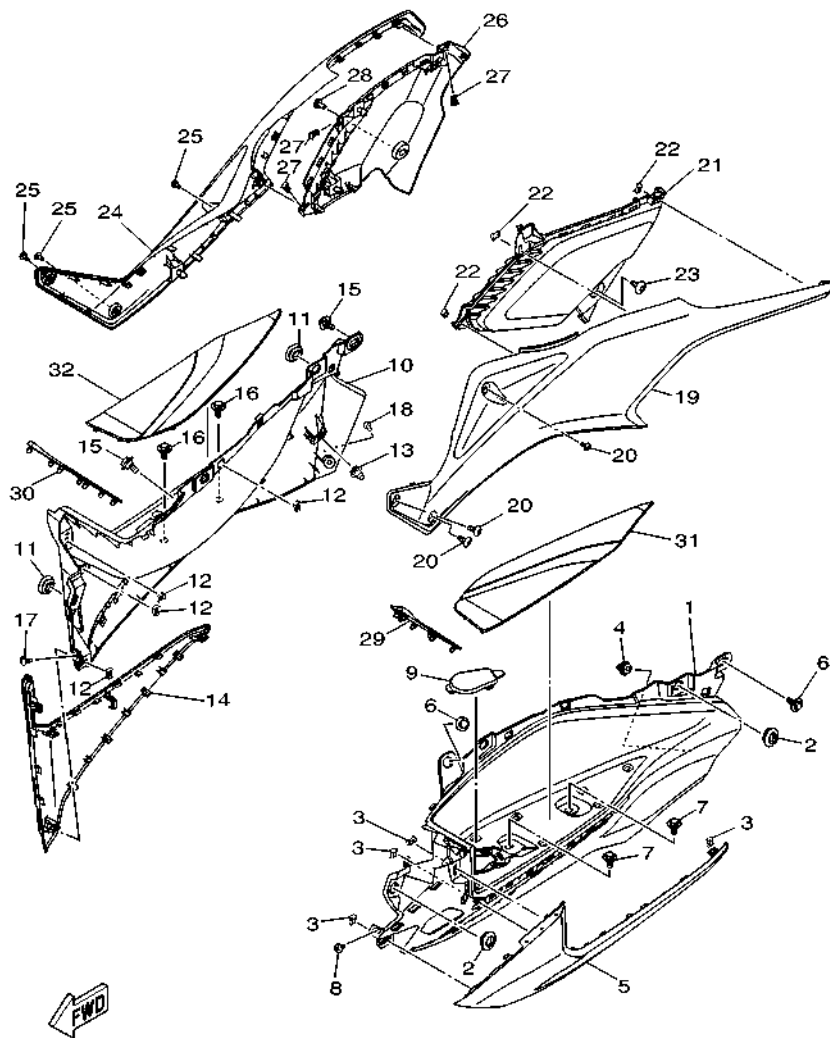
BKA1700-Y290

FIG. 29 STAND & FOOTREST

REF. NO.	PART NO.	DESCRIPTION	BPW3				REMARKS
1	BKA-F8385-00	COVER, LOWER	1				
2	90183-05807	NUT, SPRING	1				
3	90109-068B5	BOLT	1				
4	B74-F838N-00	DUCT 1	1				
5	97702-50016	SCREW, TAPPING	3				
6	B74-F7111-00	STAND, MAIN	1				
7	90506-40807	SPRING, TENSION	1				
8	45P-F7114-00	STOPPER, MAIN STAND	1				
9	B74-F7261-10	SHAFT	1				
10	93430-12831	CIRCLIP	1				
11	B74-F7311-00	STAND, SIDE	1				
12	90506-32814	SPRING, TENSION	1				
13	90101-10830	BOLT	1				
14	95602-10200	NUT, SELF-LOCKING	1				
15	90387-10849	COLLAR	1				
16	4YY-F7114-00	STOPPER, MAIN STAND	1				
17	B74-F7430-10	REAR FOOTREST ASSY 1	1				
18	2DP-F7431-10	.FOOTREST, REAR 1	1				
19	B74-F741L-00	.BRACKET 4	1				
20	90501-12743	.SPRING, COMPRESSION	1				
21	93501-04830	.BALL	1				
22	91702-08038	.PIN, CLEVIS	1				
23	91402-25015	.PIN, COTTER	1				
24	B74-F7437-00	.WASHER, SPECIAL	1				
25	95812-08016	BOLT, FLANGE	2				
26	B74-F7440-10	REAR FOOTREST ASSY 2	1				
27	2DP-F7441-10	.FOOTREST, REAR 2	1				

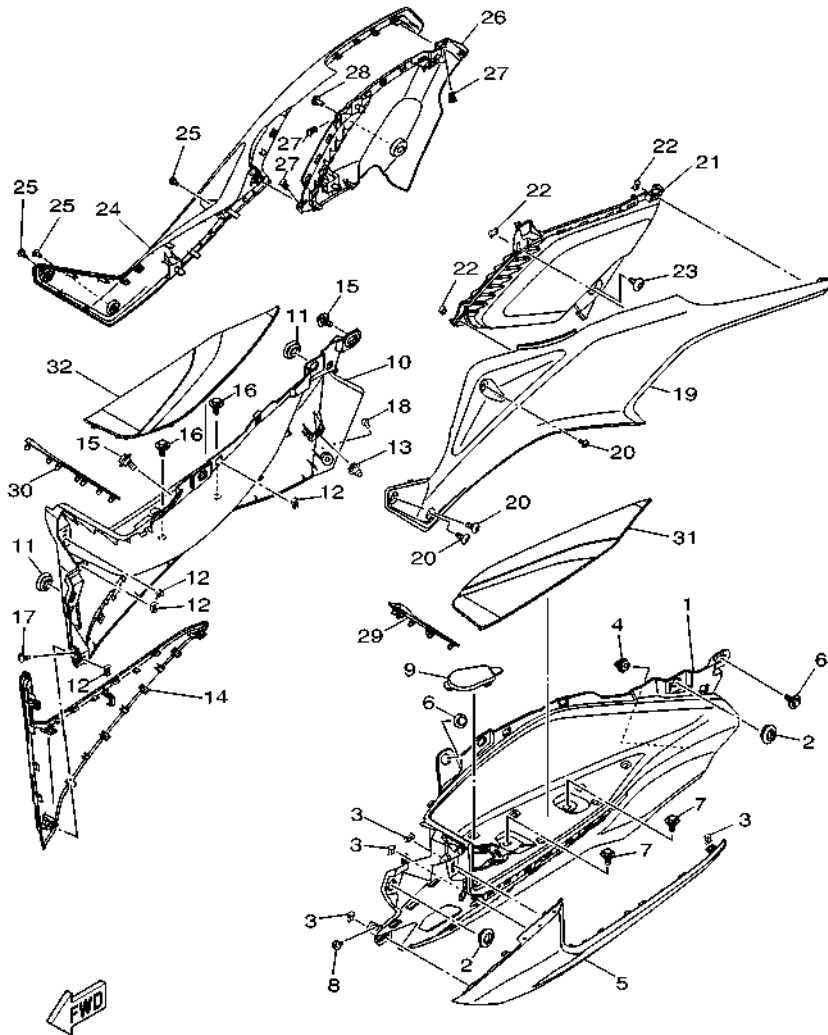


**FIG. 30 STAND & FOOTREST 2**



← FWD  
 BKA1700-Y300

REF. NO.	PART NO.	DESCRIPTION	BPW3	REMARKS
1	BKA-F7481-00	BOARD, FOOTREST	1	
2	90480-01559	GROMMET	2	
3	90464-04004	CLAMP	4	
4	90269-09005	RIVET	1	
5	BKA-F171L-00-P0	MOLE, SIDE COVER 1	1	UR FOR MDNM8
	BKA-F171L-00-P3	MOLE, SIDE COVER 1	1	UR FOR RSH
6	90109-068B5	BOLT	2	
7	90119-06235	BOLT, WITH WASHER	2	
8	97702-50012	SCREW, TAPPING	1	
9	2DP-F172W-01	COVER	1	
10	BKA-F7488-00	BOARD, FOOTREST 2	1	
11	90480-01559	GROMMET	2	
12	90464-04004	CLAMP	4	
13	90269-09005	RIVET	1	
14	BKA-F171M-00-P0	MOLE, SIDE COVER 2	1	UR FOR MDNM8
	BKA-F171M-00-P3	MOLE, SIDE COVER 2	1	UR FOR RSH
15	90109-068B5	BOLT	2	
16	90119-06235	BOLT, WITH WASHER	2	
17	97702-50012	SCREW, TAPPING	1	
18	90160-05808	SCREW, ROUND TAPPING	1	
19	BKA-F1711-00-P0	COVER, SIDE 1	1	SM12
20	90160-05808	SCREW, ROUND TAPPING	3	
21	BKA-F171E-00	COVER, SIDE 5	1	
22	90464-04004	CLAMP	3	
23	90111-06839	BOLT, HEXAGON SOCKET BUTTON	1	
24	BKA-F1721-00-P0	COVER, SIDE 2	1	SM12
25	90160-05808	SCREW, ROUND TAPPING	3	



← FWD  
 BKA1700-Y300

**FIG. 30 STAND & FOOTREST 2**

REF. NO.	PART NO.	DESCRIPTION	BPW3				REMARKS
26	BKA-F171X-00	COVER, SIDE 6	1				
27	90464-04004	CLAMP	3				
28	90111-06839	BOLT, HEXAGON SOCKET BUTTON	1				
29	B74-F7483-00	MAT 1	1				
30	B74-F7484-00	MAT 2	1				
31	B74-F7493-00	MAT 3	1				
32	B74-F7494-00	MAT 4	1				



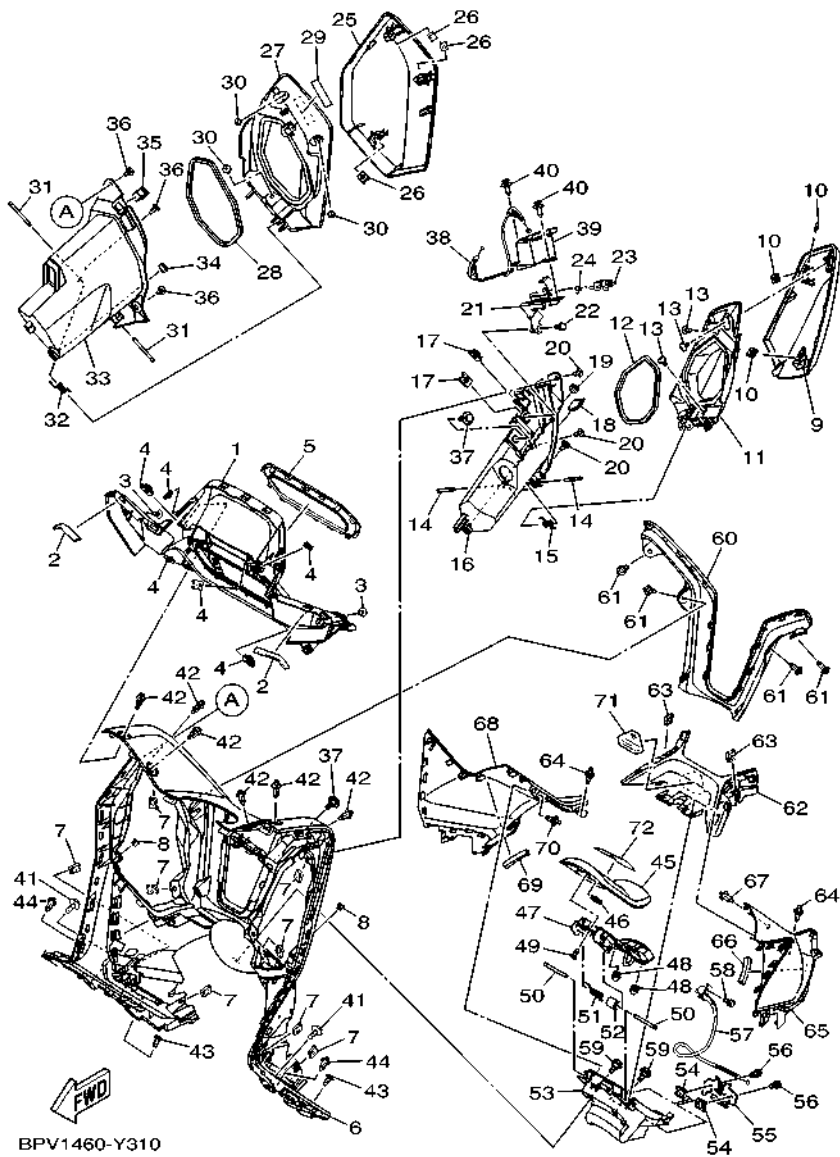
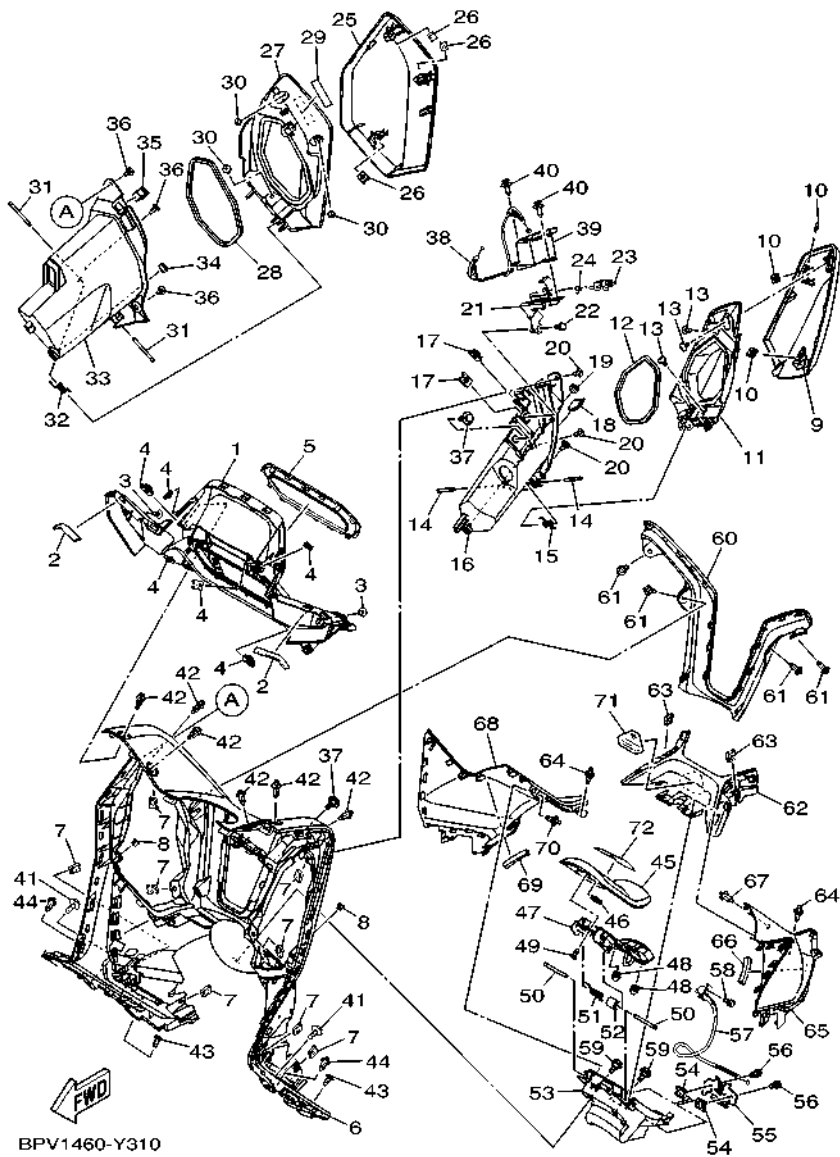


FIG. 31 LEG SHIELD

REF. NO.	PART NO.	DESCRIPTION	BPW3	REMARKS
1	BKA-F836K-00	PANEL, INNER 1	1	
2	90520-03846	DAMPER, PLATE	2	
3	90160-05808	SCREW, ROUND TAPPING	2	
4	90183-05807	NUT, SPRING	6	
5	BKA-F8346-00-P0	MOLE 2	1	MBL2
6	BKA-F8311-00	LEG SHIELD 1	1	
7	90183-05807	NUT, SPRING	8	
8	90269-08058	RIVET	2	
9	BKA-F836L-00	PANEL, INNER 2	1	
10	90183-05807	NUT, SPRING	3	
11	BKA-F839L-00	LID 2	1	
12	90520-06808	DAMPER, PLATE	1	
13	97707-50012	SCREW, TRUSS HEAD TAPPING	3	
14	B74-F818A-00	PIN	2	
15	90508-13800	SPRING, TORSION	1	
16	B74-F838L-01	BOX 2	1	
17	90183-06818	NUT, SPRING	2	
18	B74-F8349-00	CAP	1	
19	4US-F6199-00	PLUG, BLIND	1	
20	97707-50012	SCREW, TRUSS HEAD TAPPING	3	
21	BKA-F8357-00	STAY 2	1	
22	95E32-06012	BOLT, FLANGE DEEP RECESS	2	
23	BKA-F131C-00	BAR LOCK	1	
24	BKA-F7456-00	SPRING, RETURN	1	
25	BKA-F836M-00	PANEL, INNER 3	1	
26	90183-05807	NUT, SPRING	3	
27	BKA-F839V-00	LID 3	1	



BPV1460-Y310

FIG. 31 LEG SHIELD

REF. NO.	PART NO.	DESCRIPTION	BPW3				REMARKS
28	90520-06808	DAMPER, PLATE	1				
29	B74-F8336-00	PLATE	1				
30	97707-50012	SCREW, TRUSS HEAD TAPPING	3				
31	B74-F818A-00	PIN	2				
32	90508-13801	SPRING, TORSION	1				
33	B74-F838V-01	BOX 3	1				
34	4US-F6199-00	PLUG, BLIND	1				
35	90464-13801	CLAMP	1				
36	97707-50012	SCREW, TRUSS HEAD TAPPING	3				
37	90109-068B5	BOLT	2				
38	BKA-F835X-00	WIRE	1				
39	BKA-F8365-00	COVER	1				
40	90269-06812	RIVET	2				
41	90119-06235	BOLT, WITH WASHER	2				
42	90269-06813	RIVET	6				
43	97702-50016	SCREW, TAPPING	2				
44	90269-06813	RIVET	2				
45	BKA-F74A8-00	LID, FUEL	1				
46	90183-05807	NUT, SPRING	1				
47	B74-F839W-01	LID 4	1				
48	90338-07018	PLUG	2				
49	97702-50012	SCREW, TAPPING	1				
50	B74-F818A-00	PIN	2				
51	90508-14803	SPRING, TORSION	1				
52	B74-F834F-00	DAMPER	1				
53	BKA-F838W-00	BOX 4	1				
54	90183-06818	NUT, SPRING	2				

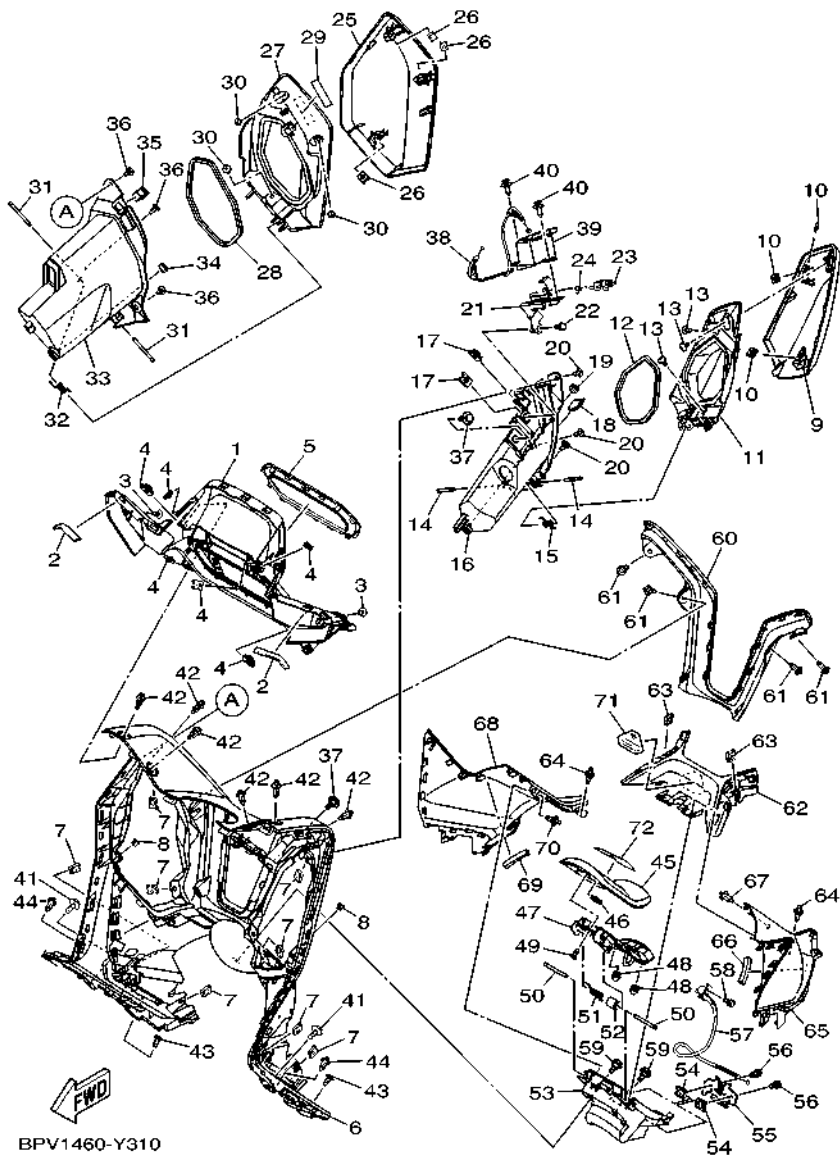
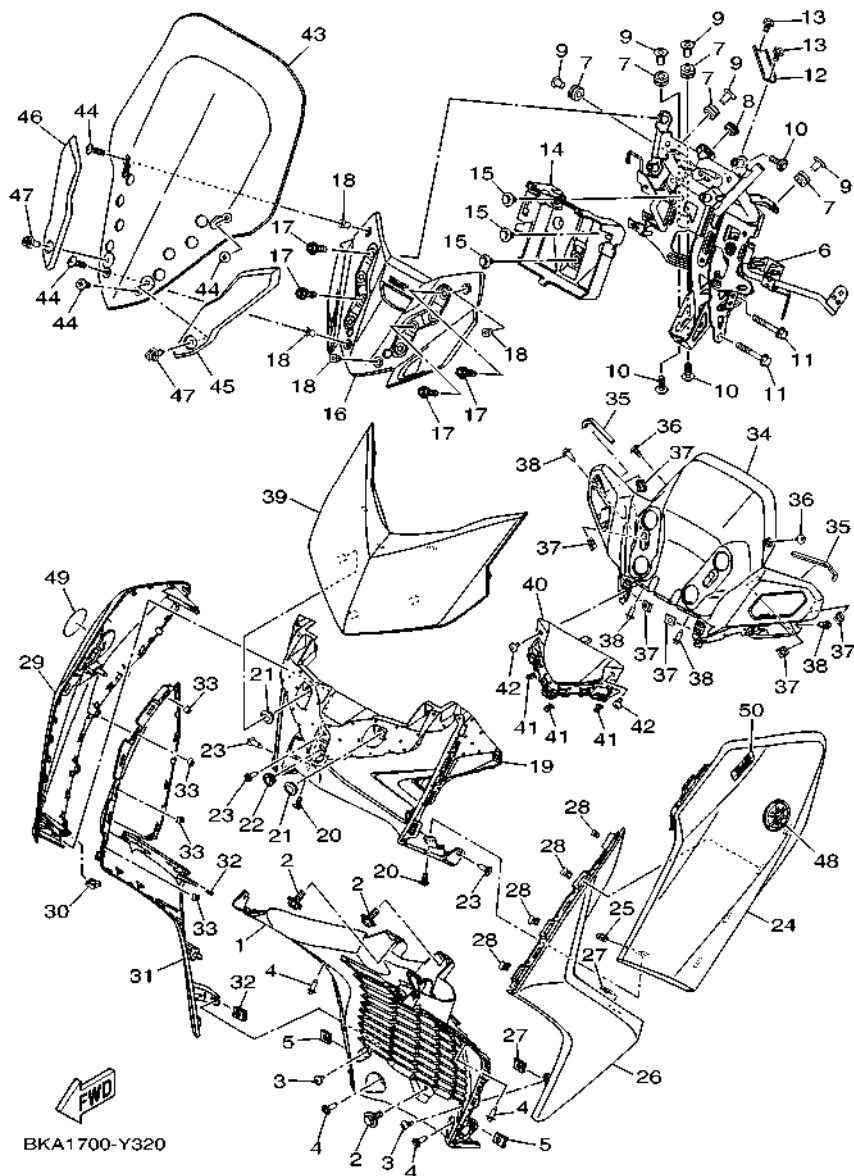


FIG. 31 LEG SHIELD

REF. NO.	PART NO.	DESCRIPTION	BPW3	REMARKS
55	1DY-F4780-00	SEAT LOCK ASSY	1	
56	95E32-06012	BOLT, FLANGE DEEP RECESS	2	
57	B74-F4494-00	WIRE, PULL	1	
58	97527-05512	BOLT, WITH WASHER	1	
59	90109-068B5	BOLT	2	
60	BKA-F8312-00-P0	LEG SHIELD 2	1	MBL2
61	90269-06813	RIVET	4	
62	BKA-F842M-00-P0	COVER 1	1	SM12
63	90183-05807	NUT, SPRING	2	
64	90269-06813	RIVET	2	
65	BKA-F837L-00	PANEL, CONSOLE 1	1	
66	90520-08822	DAMPER, PLATE	1	
67	90269-06813	RIVET	1	
68	BKA-F837M-00	PANEL, CONSOLE 2	1	
69	90520-08822	DAMPER, PLATE	1	
70	90269-06813	RIVET	1	
71	BKA-F8368-00	EMBLEM	1	
72	BU8-F1568-00	LABEL, WARNING	1	

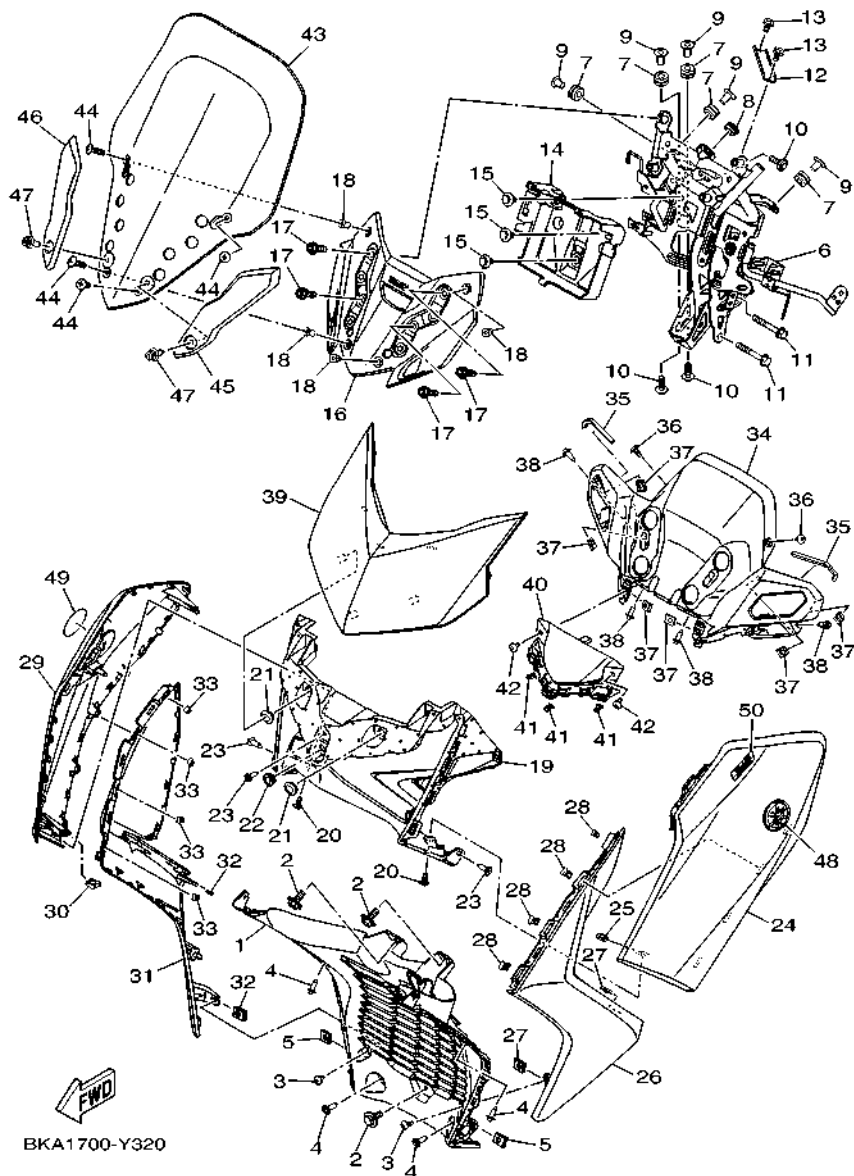
FIG. 32 WINDSHIELD



BJA1700-Y320

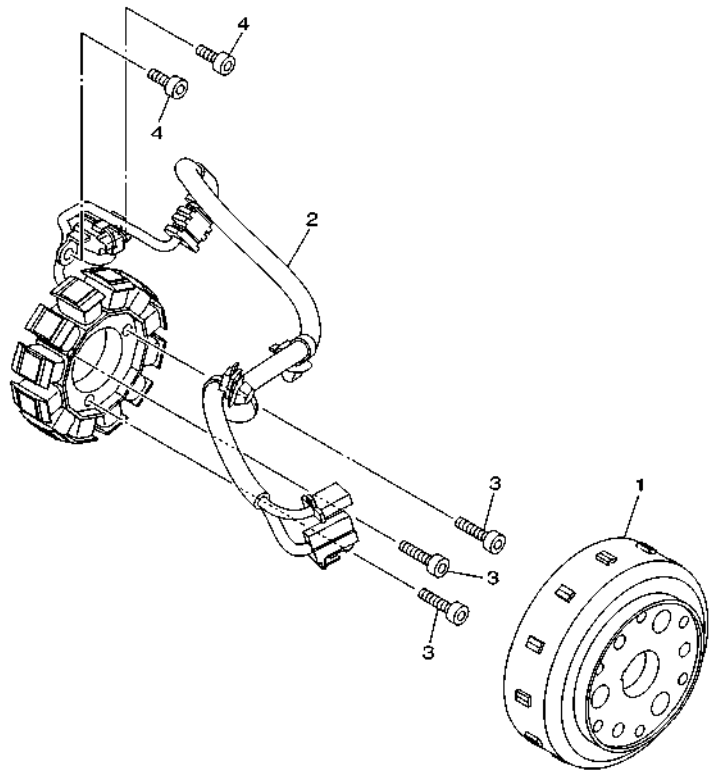
REF. NO.	PART NO.	DESCRIPTION	BPW3				REMARKS
1	BKA-F837N-00	GRILL, AIR INTAKE 1	1				
2	90119-06051	BOLT, WITH WASHER	3				
3	90160-05808	SCREW, ROUND TAPPING	2				
4	90269-06813	RIVET	4				
5	90183-05807	NUT, SPRING	2				
6	BKA-F8321-00	STAY 1	1				
7	90480-14229	GROMMET	5				
8	90480-13567	GROMMET	1				
9	90387-068N8	COLLAR	5				
10	90119-06268	BOLT, WITH WASHER	3				
11	95812-08055	BOLT, FLANGE	2				
12	BKA-F8427-00	REINFORCEMENT 1	1				
13	95812-06010	BOLT, FLANGE	2				
14	BKA-H212B-00	BOX, BATTERY 1	1				
15	90109-068B5	BOLT	3				
16	BKA-F8381-00	WINDOW, FR.	1				
17	90110-06245	BOLT, HEXAGON SOCKET HEAD	4				
18	90179-05003	NUT	4				
19	BKA-F286F-00	COVER, FRONT 2	1				
20	90160-05808	SCREW, ROUND TAPPING	2				
21	90480-01559	GROMMET	2				
22	90480-13398	GROMMET	1				
23	90269-06813	RIVET	3				
24	BKA-F8351-00-P0	BODY, COWLING	1				UR FOR MDNM8
	BKA-F8351-00-P3	BODY, COWLING	1				UR FOR RSH
25	90183-05807	NUT, SPRING	1				
26	BKA-F835J-00-P0	BODY, FRONT UNDER 1	1				SM12

FIG. 32 WINDSHIELD



BKA1700-Y320

REF. NO.	PART NO.	DESCRIPTION	BPW3	REMARKS
27	90183-05807	NUT, SPRING	2	
28	90464-04004	CLAMP	4	
29	BKA-F8377-00-P0	BODY, COWLING 2	1	UR FOR MDNM8
	BKA-F8377-00-P3	BODY, COWLING 2	1	UR FOR RSH
30	90183-05807	NUT, SPRING	1	
31	BKA-F835K-00-P0	BODY, FRONT UNDER 2	1	SM12
32	90183-05807	NUT, SPRING	2	
33	90464-04004	CLAMP	4	
34	BKA-F83D3-00	COVER, FLASHER 1	1	
35	90520-06827	DAMPER, PLATE	2	
36	90160-05808	SCREW, ROUND TAPPING	2	
37	90183-05807	NUT, SPRING	6	
38	90269-06813	RIVET	4	
39	BKA-F2865-00-P0	COVER, FRONT	1	SM12
40	BKA-H2129-00	COVER, BATTERY	1	
41	90464-04004	CLAMP	3	
42	90160-05808	SCREW, ROUND TAPPING	2	
43	BKA-F837U-00	SCREEN	1	
44	90154-05011	SCREW, BINDING	4	
45	BKA-F842A-00	COVER 5	1	
46	BKA-F843C-00	COVER 6	1	
47	90269-08007	RIVET	2	
48	B74-F414B-10	EMBLEM	1	
49	B74-F414B-10	EMBLEM	1	
50	B92-F1737-00	EMBLEM	1	



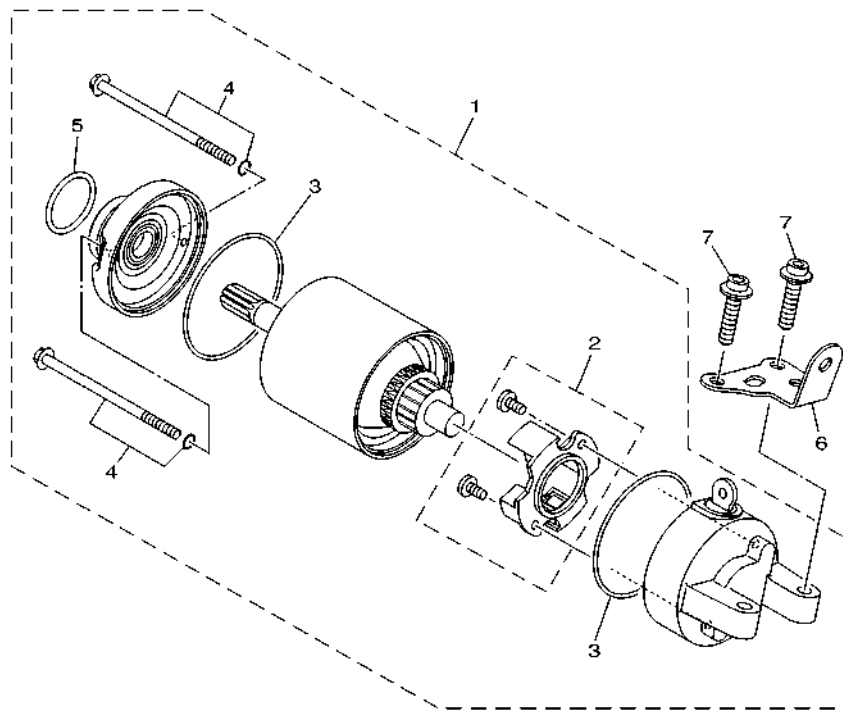
  
B741300-S330

**FIG. 33 GENERATOR**

REF. NO.	PART NO.	DESCRIPTION	BPW3				REMARKS
1	B74-H1450-00	ROTOR ASSY	1				
2	B74-H1410-00	STATOR ASSY	1				
3	90110-06178	BOLT, HEXAGON SOCKET HEAD	3				
4	90110-06161	BOLT, HEXAGON SOCKET HEAD	2				
<hr/>							
<hr/>							
<hr/>							
<hr/>							
<hr/>							
<hr/>							
<hr/>							
<hr/>							
<hr/>							
<hr/>							

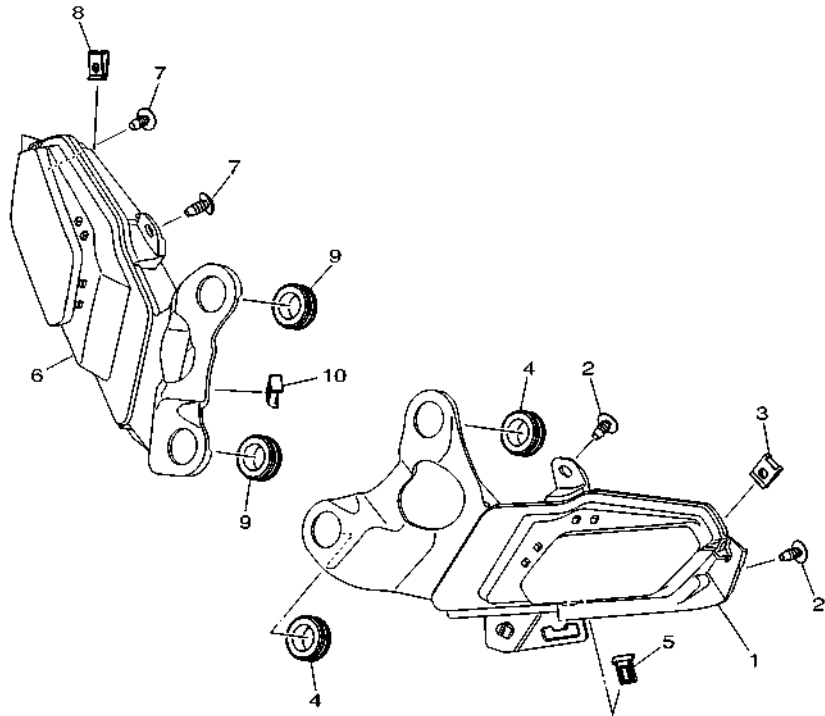
**FIG. 34 STARTING MOTOR**

REF. NO.	PART NO.	DESCRIPTION	BPW3				REMARKS
1	B74-H1890-01	MOTOR ASSY	1				
2	B74-H1801-00	.BRUSH SET	1				
3	1WD-H1861-00	.GASKET	2				
4	1WD-H1828-00	.BOLT 2	2				
5	4FP-H182L-00	.O-RING 1	1				
6	B74-H1948-00	BRACKET	1				
7	90110-06172	BOLT, HEXAGON SOCKET HEAD	2				



B741300-S340

**FIG. 35 FLASHER LIGHT**



REF. NO.	PART NO.	DESCRIPTION	BPW3				REMARKS
1	BKA-H3310-00	FRONT FLASHER LIGHT ASSY 1	1				
2	97702-50012	SCREW, TAPPING	2				
3	90183-05807	NUT, SPRING	1				
4	90480-19368	GROMMET	2				
5	90464-04004	CLAMP	1				
6	BKA-H3320-00	FRONT FLASHER LIGHT ASSY 2	1				
7	97702-50012	SCREW, TAPPING	2				
8	90183-05807	NUT, SPRING	1				
9	90480-19368	GROMMET	2				
10	90464-04004	CLAMP	1				

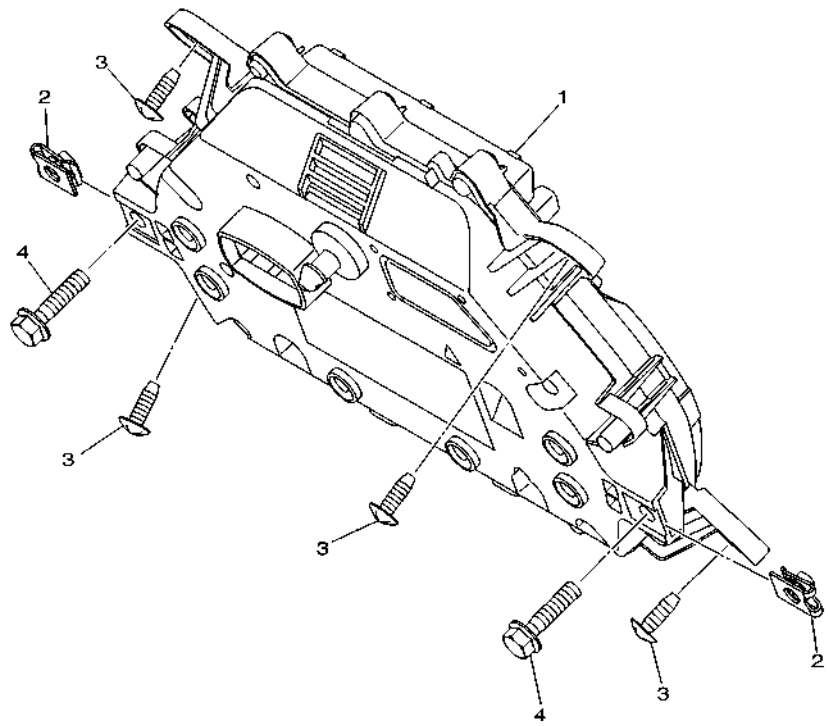


BKA1700-Y350



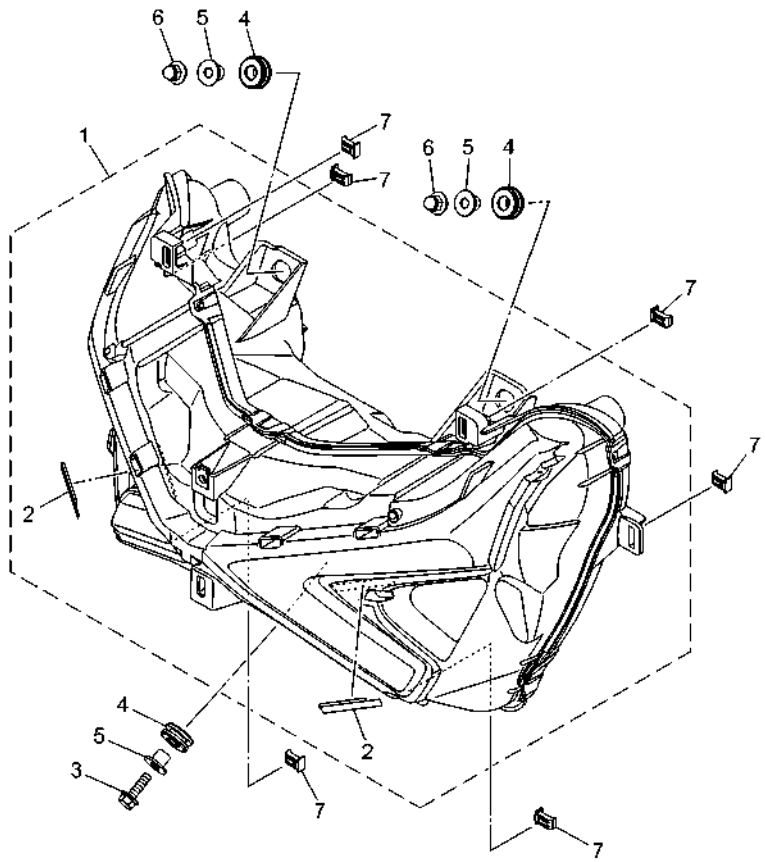
FIG. 36 METER

REF. NO.	PART NO.	DESCRIPTION	BPW3				REMARKS
1	BAK-H3220-51	CONNECTED METER ASSY.	1				
2	90183-06818	NUT, SPRING	2				
3	97702-50016	SCREW, TAPPING	4				
4	95D32-06025	BOLT, FLANGE DEEP RECESS	2				
-----							
-----							
-----							
-----							
-----							
-----							
-----							
-----							
-----							
-----							
-----							



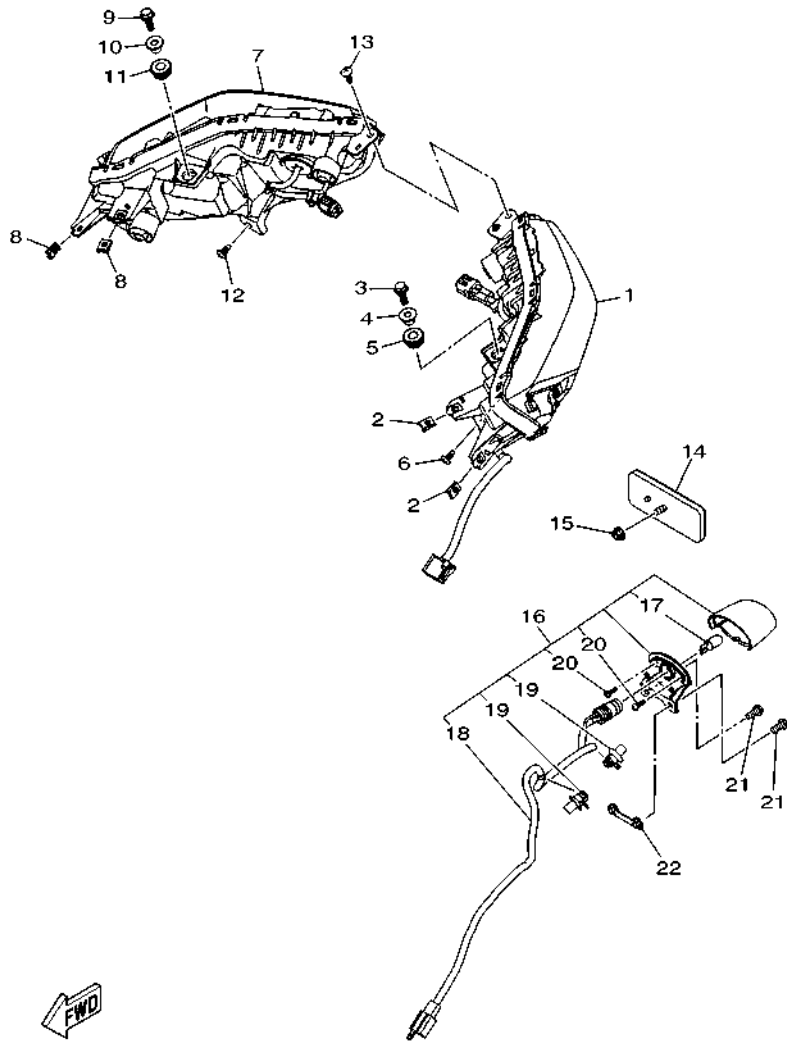
  
BAK1700-Y360

**FIG. 37 HEADLIGHT**



  
 BKAF700-Z370

REF. NO.	PART NO.	DESCRIPTION	BPW3					REMARKS
1	BKA-H4300-00	HEADLIGHT ASSY	1					
2	B5V-F8344-00	.TAPE	2					
3	95D32-06020	BOLT, FLANGE DEEP RECESS	1					
4	90480-10289	GROMMET	3					
5	90387-068S0	COLLAR	3					
6	90176-06808	NUT, CAP	2					
7	90464-04004	CLAMP	6					



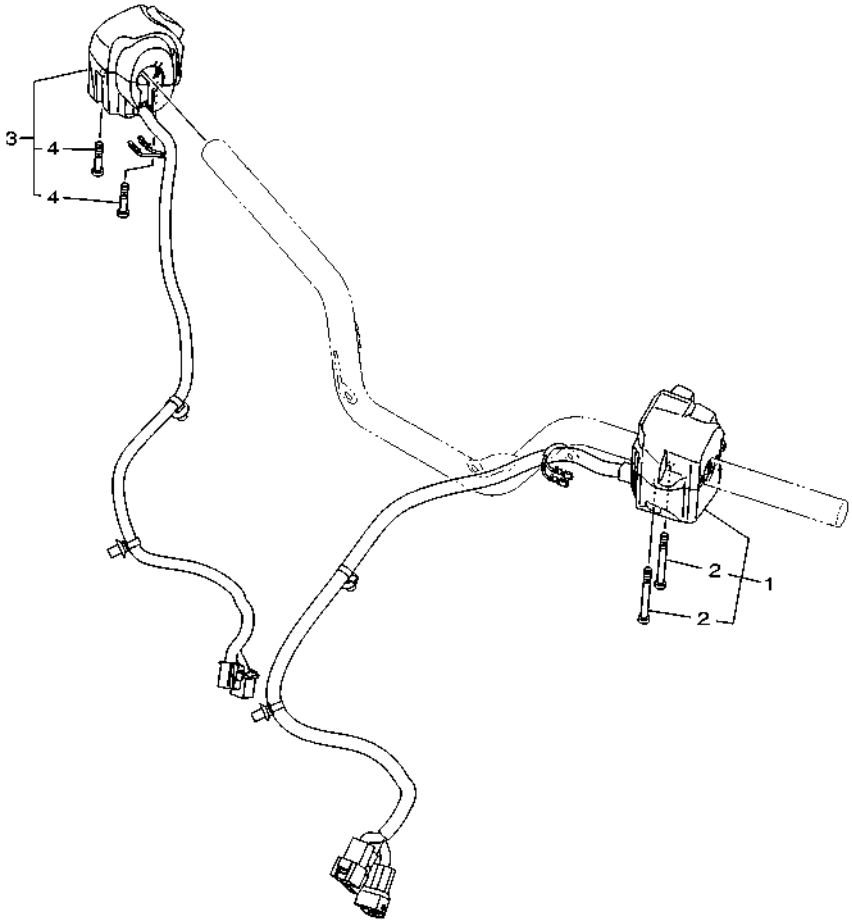
← FWD  
 BKA1700-Y380

**FIG. 38 TAILLIGHT**

REF. NO.	PART NO.	DESCRIPTION	BPW3				REMARKS
1	BKA-H4710-00	TAILLIGHT UNIT ASSY	1				
2	90183-05807	NUT, SPRING	2				
3	95D32-06020	BOLT, FLANGE DEEP RECESS	1				
4	90387-068G3	COLLAR	1				
5	90480-14823	GROMMET	1				
6	97702-50012	SCREW, TAPPING	1				
7	BKA-H4730-00	TAILLIGHT UNIT ASSY	1				
8	90183-05807	NUT, SPRING	2				
9	95D32-06020	BOLT, FLANGE DEEP RECESS	1				
10	90387-068G3	COLLAR	1				
11	90480-14823	GROMMET	1				
12	97702-50012	SCREW, TAPPING	1				
13	97707-50016	SCREW, TRUSS HEAD TAPPING	1				
14	3C1-H5130-00	REAR REFLECTOR ASSY	1				
15	95707-05500	NUT, FLANGE	1				
16	B74-H4740-10	LICENSE LIGHT ASSY	1				
17	1WD-H4744-00	.BULB (12V-5W)	1				
18	B74-H4547-00	.CORD, LICENSE LIGHT	1				
19	B74-H454J-00	.CLAMP, CORD	2				
20	1WD-H4726-00	.SCREW	2				
21	92017-05012	BOLT, BUTTON HEAD	2				
22	B74-H4748-00	NUT, SPECIAL	1				

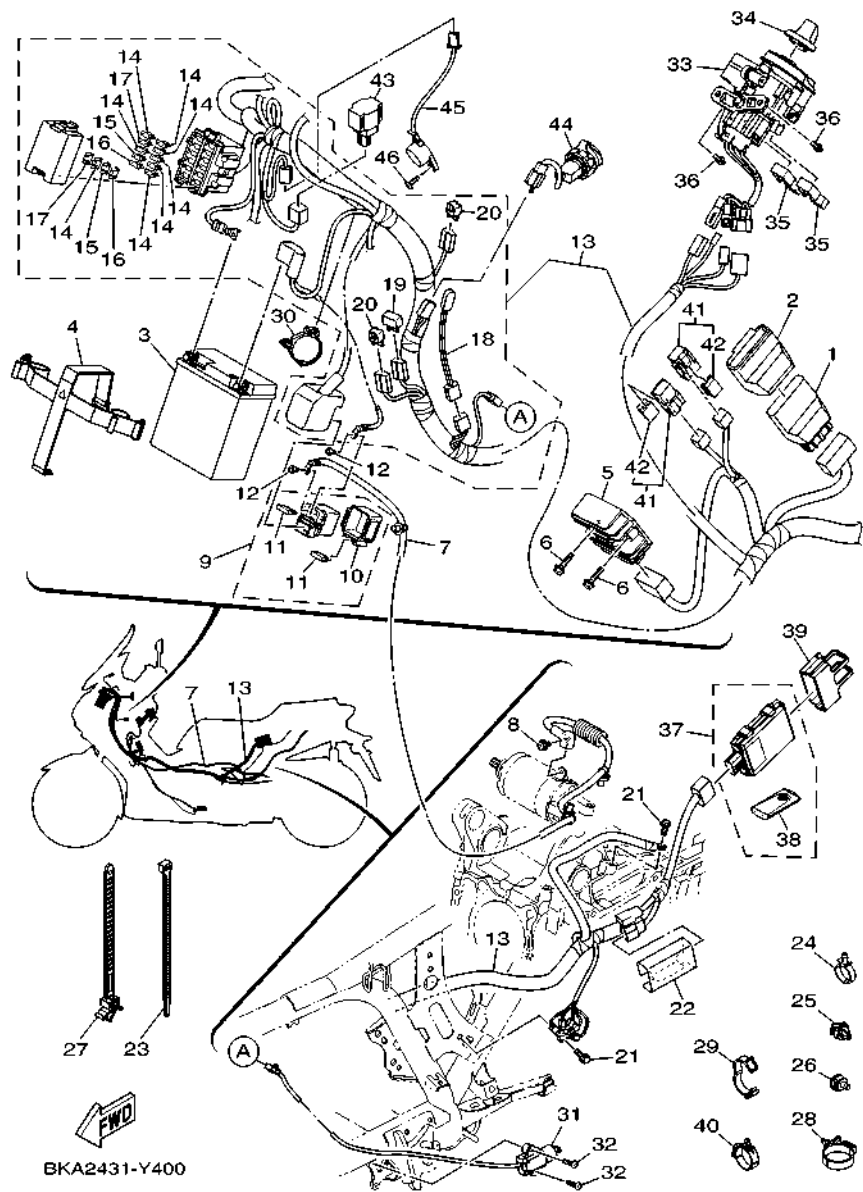
FIG. 39 HANDLE SWITCH & LEVER

REF. NO.	PART NO.	DESCRIPTION	BPW3				REMARKS
1	BAK-H3969-00	SWITCH, HANDLE 5	1				
2	98907-04035	.SCREW, BIND	2				
3	BAK-H3975-00	SWITCH, HANDLE 2	1				
4	98507-05025	.SCREW, PAN HEAD	2				



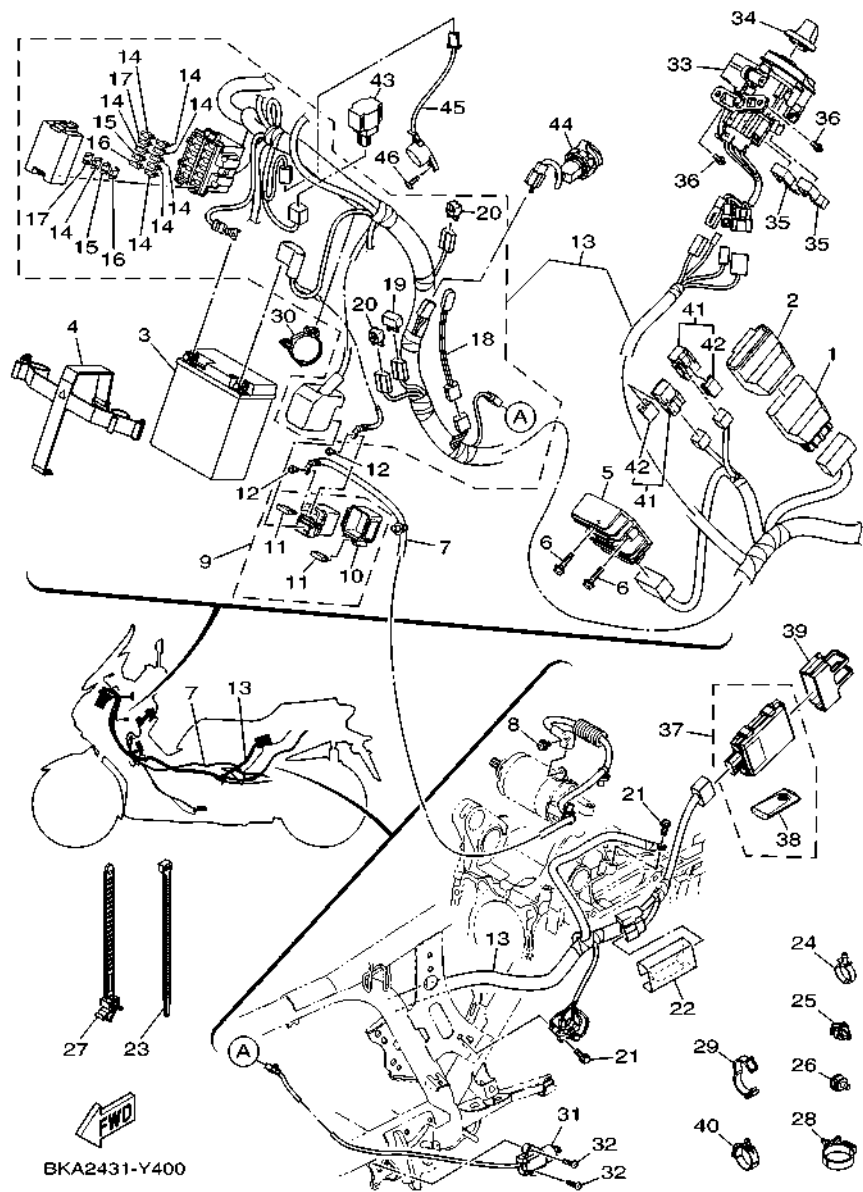
BAK1700-Y390

FIG. 40 ELECTRICAL 1



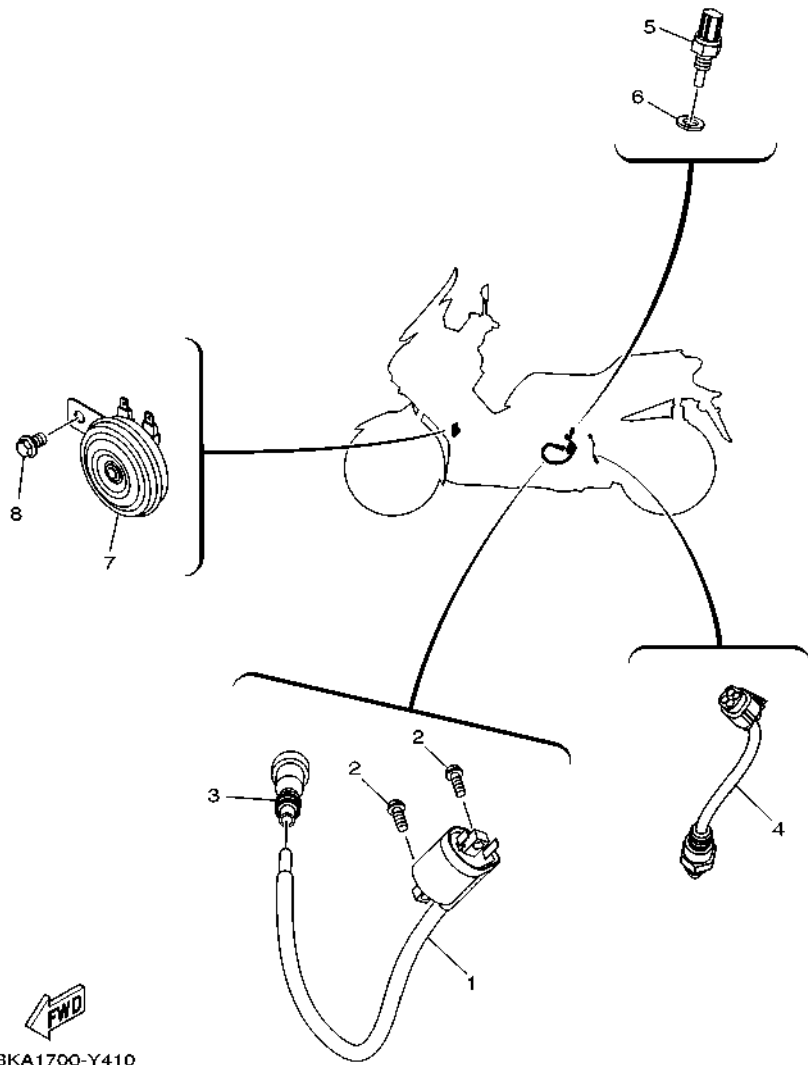
REF. NO.	PART NO.	DESCRIPTION	BPW3	REMARKS
1	BPV-H591A-00	ENGINE CONTROL UNIT ASSY	1	
2	B5X-H2591-00	BAND	1	
3	2YD-H2100-00	BATTERY ASSY (GS GTZ8V)	1	
4	B74-H2131-00	BAND, BATTERY	1	
5	2GS-H1960-10	RECTIFIER & REGULATOR ASSY	1	
6	95D32-06025	BOLT, FLANGE DEEP RECESS	2	
7	B74-H1815-02	CORD, STARTER MOTOR	1	
8	90149-05018	SCREW	1	
9	B74-H1940-00	STARTER RELAY ASSY	1	
10	1WD-H2155-00	.BAND	1	
11	B74-H2151-A1	.FUSE (20A)	2	
12	91312-05008	BOLT, HEXAGON SOCKET HEAD	2	
13	BKA-H2590-12	WIRE HARNESS ASSY	1	
14	BKA-H2151-00	.FUSE (7.5A)	8	
15	BKA-H2151-10	.FUSE (15A)	2	
16	BKA-H2151-60	.FUSE (30A)	2	
17	BKA-H2151-90	.FUSE (5A)	2	
18	1SD-H5700-00	.THERMISTOR ASSY	1	
19	4WA-81980-00	.DIODE ASSY	1	
20	3WP-81980-00	.DIODE ASSY	2	
21	95E32-06012	BOLT, FLANGE DEEP RECESS	2	
22	2D1-82589-02	PROTECTOR, WIRE HARNESS	1	
23	90464-36800	CLAMP	1	
24	90464-24230	CLAMP	1	
25	90464-10008	CLAMP	1	
26	90464-12018	CLAMP	1	
27	90464-10112	CLAMP	1	(160X8.00)

FIG. 40 ELECTRICAL 1



REF. NO.	PART NO.	DESCRIPTION	BPW3				REMARKS
28	90464-36802	CLAMP	1				
29	90464-16003	CLAMP	1				
30	90464-34801	CLAMP	1				
31	B74-H2566-00	SWITCH, SIDE STAND	1				
32	90111-05810	BOLT, HEXAGON SOCKET BUTTON	2				
33	B74-H2501-13	MAIN SWITCH STEERING LOCK	1				
34	B74-H276E-10	KNOB COMP.	1				
35	90464-09806	CLAMP	2				
36	90109-068D5	BOLT	2				
37	BKA-H6260-00	REMOTE CONTROL UNIT ASSY	1				
38	B5X-H6261-04	.XMTR. COMP.	1				
39	B65-H5546-00	BAND	1				
40	90464-30001	CLAMP	1				
41	1ST-81950-00	RELAY ASSY (1ST-00)	2				
42	5JJ-81952-00	.HOLDER, RELAY	1				
43	1PA-H2576-00	SENSOR, LEAN ANGLE	1				
44	B6H-H254B-00	TERMINAL COMP.	1				
45	B3F-H3383-00	BUZZER	1				
46	97702-50016	SCREW, TAPPING	1				

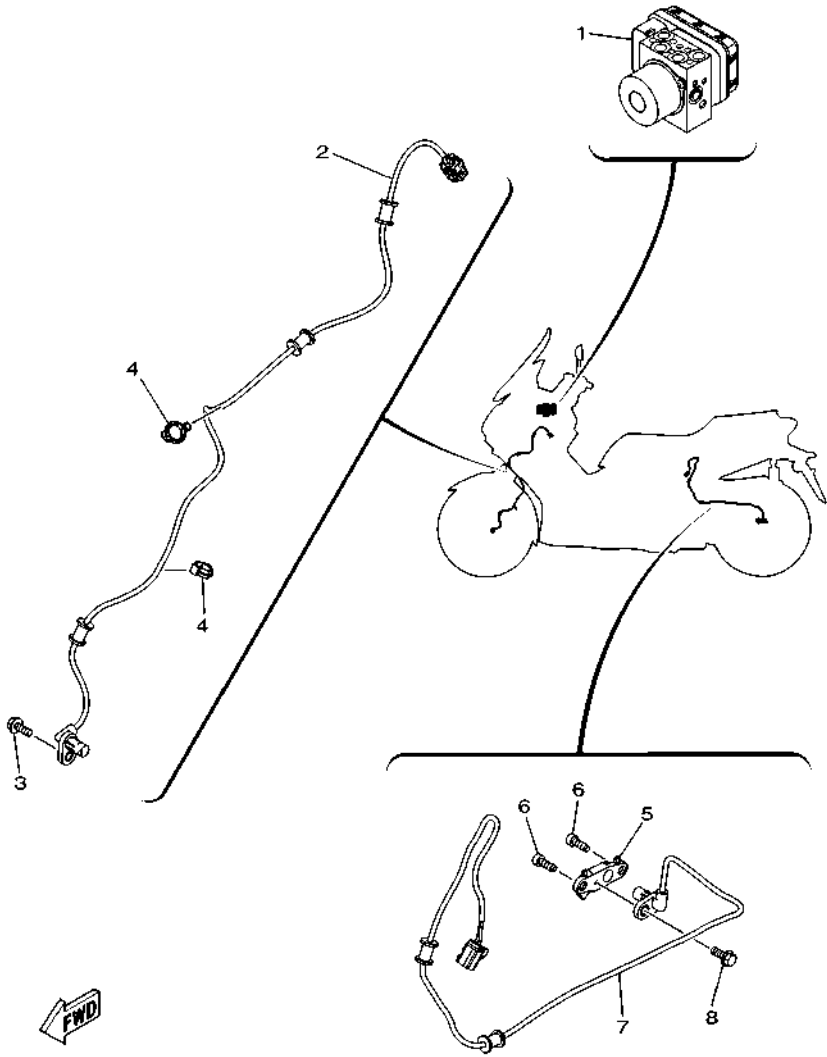
**FIG. 41 ELECTRICAL 2**



BKA1700-Y410

REF. NO.	PART NO.	DESCRIPTION	BPW3				REMARKS
1	B74-H2310-00	IGNITION COIL ASSY	1				
2	95E32-06016	BOLT, FLANGE DEEP RECESS	2				
3	B74-H2370-00	PLUG CAP ASSY	1				
4	BX9-H592A-00	SENSOR, OXYGEN	1				
5	52B-H3591-00	THERMO UNIT	1				
6	90430-10806	GASKET	1				
7	B6H-H3371-00	HORN	1				
8	95E32-08012	BOLT, FLANGE DEEP RECESS	1				

**FIG. 42 ELECTRICAL 3**



BKA1700-Y420

REF. NO.	PART NO.	DESCRIPTION	BPW3					REMARKS
1	B74-85930-05	HYDRAULIC UNIT ASSY	1					
2	B74-H5970-01	WHEEL SENSOR ASSY, FRONT	1					
3	95D07-06016	BOLT, FLANGE DEEP RECESS	1					
4	90464-14803	CLAMP	2					
5	B74-H5112-00	BRACKET, REFLECTOR 1	1					
6	91312-06016	BOLT, HEXAGON SOCKET HEAD	2					
7	B74-H5980-01	WHEEL SENSOR ASSY, REAR	1					
8	95D02-06016	BOLT, FLANGE DEEP RECESS	1					
<hr/>								
<hr/>								
<hr/>								
<hr/>								
<hr/>								
<hr/>								
<hr/>								
<hr/>								
<hr/>								
<hr/>								



NUMERICAL INDEX

PART NO.	REF. NO.	PART NO.	REF. NO.	PART NO.	REF. NO.	PART NO.	REF. NO.	PART NO.	REF. NO.	PART NO.	REF. NO.
B74-11391-00	1 - 18	B74-1216A-00	3 - 13	2D1-82589-02	40 - 22	B74-E2467-01	6 - 36	B74-E476P-00	9 - 11	B74-E7653-00	13 - 5
B74-11416-00	2 - 9	B74-1216A-20	3 - 13	B74-85930-05	42 - 1	B74-E2481-00	6 - 21	B74-E477P-00	9 - 12	B74-E7660-00	13 - 8
B74-11416-10	2 - 9	B74-1216A-40	3 - 13	BPV-E1102-00	1 - 1	B74-E2482-00	6 - 26	B74-E4799-00	9 - 9	B74-E7664-00	13 - 12
B74-11416-20	2 - 9	B74-1216A-60	3 - 13	BKA-E1111F-00	4 - 8	B74-E2483-00	6 - 27	BSS-E5100-10	10 - 1	B74-E7668-00	13 - 23
B74-11416-30	2 - 9	B74-1216A-80	3 - 13	40D-E1126-00	10 - 9	BKA-E2484-00	6 - 33	2PV-E5113-00	10 - 22	BG6-E7670-00	13 - 9
B74-11416-40	2 - 9	B74-1216A-A0	3 - 13	BKA-E112F-00	4 - 6	BKA-E2576-00	6 - 4	5D9-E5155-01	10 - 2	B74-E7674-00	13 - 6
B74-11416-50	2 - 9	B74-1216A-F0	3 - 13	B74-E1133-10	1 - 2	B74-E2591-00	6 - 30	5LW-E5363-00	10 - 27	B74-E7674-10	13 - 13
B74-11416-A0	2 - 9	B74-1216A-H0	3 - 13	B74-E1166-00	8 - 39	5ST-E2615-00	6 - 8	5BP-E5363-10	5 - 6	B74-E7678-01	13 - 17
B74-11417-00	2 - 10	B74-1216A-K0	3 - 13	B74-E1169-00	1 - 11	B74-E2662-00	3 - 11	B74-E5372-01	10 - 3	B74-E7678-10	13 - 19
B74-11417-10	2 - 10	B74-1216A-M0	3 - 13	B74-E1181-00	1 - 20	1WD-E2671-00	6 - 11	B74-E5373-00	10 - 10	B74-E7683-00	13 - 14
B74-11417-20	2 - 10	B74-1216A-R0	3 - 13	B74-E1185-00	1 - 10	5ST-E2843-00	6 - 9	B74-E5378-00	10 - 4	B74-E7684-00	13 - 15
B74-11417-30	2 - 10	B74-1216A-U0	3 - 13	BKA-E1191-00	1 - 9	B74-E3300-00	7 - 1	B74-E5407-00	11 - 9	BKA-F1110-00	15 - 1
B74-11417-40	2 - 10	B74-1216A-W0	3 - 13	B74-E1193-00	1 - 13	4ST-E3411-00	7 - 4	B74-E5411-00	11 - 1	B74-F1121-00	22 - 25
B74-11417-50	2 - 10	B74-1216A-Y0	3 - 13	BG6-E1311-01	1 - 24	1S7-E3440-00	7 - 7	B74-E5417-01	5 - 3	BKA-F1168-00	15 - 12
B74-11417-A0	2 - 10	31G-12210-01	4 - 16	B74-E1351-00	1 - 25	B74-E3447-00	7 - 8	B74-E5421-01	10 - 29	BKA-F131C-00	31 - 23
BG6-11650-00	2 - 2	31G-12214-00	4 - 18	BG6-E1400-10	2 - 1	BG6-E3585-00	8 - 1	B74-E5431-01	11 - 5	B74-F1400-02	15 - 7
2C0-11654-00	2 - 3	31G-12222-00	4 - 17	BG6-E1500-00	2 - 11	BG6-E3595-00	8 - 2	B74-E5451-00	11 - 2	B74-F149S-00	15 - 5
B74-11656-00	2 - 5	B74-12410-00	6 - 1	B74-E1603-10	2 - 15	BG6-E3750-04	8 - 13	B74-E5453-00	10 - 17	BKA-F1511-00	16 - 1
B74-11656-10	2 - 5	52S-12439-00	6 - 2	BG6-E1631-00	2 - 14	BG6-E3761-00	8 - 6	B74-E5461-00	10 - 30	BKA-F1513-00-P0	16 - 3
B74-11656-20	2 - 5	5GJ-12675-00	6 - 12	B74-E1633-00	2 - 16	BG6-E3770-00	8 - 5	B74-E5471-00	11 - 7	BKA-F1513-00-P3	16 - 3
B74-11656-30	2 - 5	5RU-13490-00	7 - 5	B74-E1998-00	1 - 7	B74-E3907-01	21 - 5	B74-E5474-00	11 - 10	BKA-F1514-00-P0	16 - 4
B74-12168-00	3 - 13	52S-13938-01	8 - 9	B74-E1999-00	1 - 14	3C1-E3915-00	21 - 8	2DP-E5481-00	11 - 6	BKA-F1514-00-P3	16 - 4
B74-12168-20	3 - 13	B74-15338-00	11 - 14	B74-E2111-00	3 - 1	B74-E3971-01	21 - 13	B63-E5481-00	11 - 6	1WD-F153E-30	16 - 27
B74-12168-40	3 - 13	5PW-15361-00	5 - 16	B74-E2113-00	3 - 4	54P-E4137-00	8 - 10	B74-E5512-00	12 - 1		16 - 28
B74-12168-60	3 - 13	4HC-23125-20	20 - 5	B74-E2117-00	3 - 6	54P-E4147-00	8 - 7	5BP-E5521-00	12 - 2	1WD-F153E-60	16 - 27
B74-12168-80	3 - 13		20 - 23	5TL-E2118-00	3 - 5	5CA-E4147-00	8 - 8	BKA-E5524-00	12 - 3		16 - 28
B74-12168-A0	3 - 13	22W-23146-L0	20 - 6	54P-E2119-00	3 - 3	54P-E416A-00	8 - 17	BX9-E5544-00	10 - 21	BU8-F1568-00	31 - 72
B74-12168-F0	3 - 13		20 - 24	B74-E2121-00	3 - 2	54P-E4243-00	8 - 15	B5X-E5590-00	12 - 4	BKA-F1611-00	16 - 7
B74-12168-H0	3 - 13	2N4-23168-00	20 - 18	2PH-E2126-00	3 - 7	B74-E4335-00	8 - 18	B74-E5744-00	13 - 18	B74-F1621-00	22 - 15
B74-12168-K0	3 - 13		20 - 36	B74-E2146-00	3 - 10	BG6-E4411-11	8 - 19	B74-E6111-00	14 - 12	BKA-F1651-00	16 - 15
B74-12168-M0	3 - 13	3FV-23462-00	20 - 39	B74-E2151-00	3 - 8	B74-E4412-00	8 - 20	B74-E6151-00	14 - 2	B17-F1668-00	22 - 44
B74-12168-R0	3 - 13	3C1-24512-00	21 - 7	B74-E2157-02	5 - 4	B74-E4417-00	8 - 33	B74-E6611-00	13 - 24	BKA-F1711-00-P0	30 - 19
B74-12168-U0	3 - 13	5MT-25398-00	23 - 7	B74-E2161-00	3 - 9	B74-E4435-00	8 - 30	B74-E6620-00	13 - 20	BKA-F171E-00	30 - 21
B74-12168-W0	3 - 13		25 - 4	BG6-E2170-00	4 - 1	B74-E4437-00	8 - 22	B74-E6626-00	13 - 21	BKA-F171L-00-P0	30 - 5
B74-12168-Y0	3 - 13	5MT-25398-10	23 - 7	B74-E2176-00	4 - 4	52B-E443E-00	8 - 27	54P-E6819-00	13 - 22	BKA-F171L-00-P3	30 - 5
B74-12169-10	3 - 13		25 - 4	B74-E2213-00	4 - 19	5TP-E443G-10	8 - 31	B74-E7211-00	14 - 6	BKA-F171M-00-P0	30 - 14
B74-12169-30	3 - 13	5MT-25398-20	23 - 7	1DB-E2228-00	4 - 15	B74-E4449-00	8 - 29	B74-E7411-10	14 - 1	BKA-F171M-00-P3	30 - 14
B74-12169-50	3 - 13		25 - 4	B74-E2231-00	4 - 11	B74-E4452-00	8 - 24	B74-E7412-00	13 - 30	BKA-F171X-00	30 - 26
B74-12169-70	3 - 13	5RB-25854-00	28 - 3	B74-E2233-00	4 - 12	B74-E4462-00	8 - 34	B74-E7421-00	14 - 5	BKA-F1721-00-P0	30 - 24
B74-12169-90	3 - 13		28 - 21	B74-E2241-01	4 - 14	BG6-E4469-00	8 - 21	B74-E7465-00	13 - 10	BKA-F172A-00	16 - 17
B74-12169-E0	3 - 13	36Y-2589H-00	28 - 5	B74-E2405-00	6 - 10	B74-E447F-00	8 - 43	B74-E7465-10	13 - 11	BKA-F172F-00	16 - 22
B74-12169-G0	3 - 13		28 - 23	B74-E240A-01	6 - 7	B74-E4611-00	9 - 1	B74-E7465-20	13 - 2	2DP-F172W-01	30 - 9
B74-12169-J0	3 - 13	5KN-25926-01	26 - 17	B74-E2422-00	5 - 1	1WD-E4613-00	9 - 13	B74-E7611-00	13 - 7	BKA-F1731-00-P0	17 - 1
B74-12169-L0	3 - 13	34X-25937-00	26 - 7	B74-E2439-00	5 - 2	BPV-E4711-00	9 - 2	B74-E7620-00	13 - 1	BKA-F1731-00-P3	17 - 1
B74-12169-N0	3 - 13	1ST-81950-00	40 - 41	B74-E2446-00	6 - 39	54D-E4714-00	9 - 3	B74-E7623-00	13 - 4	B92-F1737-00	32 - 50
B74-12169-T0	3 - 13	5JJ-81952-00	40 - 42	B74-E2450-00	5 - 12	1WD-E4715-00	9 - 4	B74-E7632-00	13 - 3	B74-F173B-20	17 - 29
B74-12169-V0	3 - 13	3WP-81980-00	40 - 20	B74-E2461-00	6 - 13	B74-E4718-00	9 - 6	B5X-E7641-00	13 - 26		17 - 30
B74-12169-X0	3 - 13	4WA-81980-00	40 - 19	B65-E2462-02	6 - 32	B74-E475P-00	9 - 10	B74-E7644-00	13 - 16	B74-F173B-40	17 - 29

NUMERICAL INDEX

PART NO.	REF. NO.	PART NO.	REF. NO.	PART NO.	REF. NO.	PART NO.	REF. NO.	PART NO.	REF. NO.	PART NO.	REF. NO.
B74-F173B-40	17 - 30	31B-F3181-00	20 - 12	B74-F4769-00	22 - 17	1WD-F5914-50	26 - 16	B74-F8175-00	22 - 43	B74-H1815-02	40 - 7
BKA-F173E-10	17 - 31		20 - 30	B74-F476U-00	22 - 8	5YP-F5917-00	24 - 8	B74-F818A-00	31 - 14	1WD-H1828-00	34 - 4
BKA-F173E-20	17 - 31	B74-F3317-00	24 - 14	BKA-F476V-00	22 - 9		26 - 6		31 - 31	4FP-H182L-00	34 - 5
BKA-F173F-10	17 - 32	B74-F3340-00	20 - 37	1DY-F4780-00	31 - 55	1WD-F5919-00	24 - 10		31 - 50	1WD-H1861-00	34 - 3
BKA-F173F-20	17 - 32	2JK-F3346-00	20 - 40	B65-F4780-00	22 - 28	B74-F5919-50	26 - 9	BKA-F8311-00	31 - 6	B74-H1890-01	34 - 1
BKA-F1741-00-P0	17 - 11	5BP-F3416-10	19 - 2	BKA-F4785-00	22 - 19	B74-F5921-50	26 - 12	BKA-F8312-00-P0	31 - 60	B74-H1940-00	40 - 9
BKA-F1741-00-P3	17 - 11	5BP-F3418-00	19 - 5	BED-F4786-00	22 - 5	5YP-F5924-00	24 - 11	BKA-F8321-00	32 - 6	B74-H1948-00	34 - 6
BKA-F1816-00	17 - 27	B74-F3435-00	19 - 6	B74-F478E-00	22 - 27	1WD-F5924-50	26 - 10	B74-F8336-00	31 - 29	2GS-H1960-10	40 - 5
B74-F1817-01	17 - 28	B74-F3441-00	19 - 12	B74-F478G-00	22 - 23	5YP-F5925-01	24 - 9	B74-F8344-00	37 - 2	2YD-H2100-00	40 - 3
B74-F1823-00	6 - 22	B74-F3442-00	19 - 11	B74-F479D-00	22 - 39		26 - 11	BKA-F8346-00-P0	31 - 5	BKA-H2129-00	32 - 40
B74-F1871-00	17 - 23	B74-F3469-00	17 - 10	B74-F5168-00-98	23 - 1	5YP-F5937-00	24 - 7	B74-F8349-00	31 - 18	BKA-H212B-00	32 - 14
1S7-F1875-01	17 - 24		17 - 20	B74-F5168-00-P2	23 - 1	1WD-F5939-51	26 - 13	B74-F834F-00	31 - 52	B74-H2131-00	40 - 4
B74-F2100-00	18 - 1	B74-F4110-03	21 - 1	2DP-F517G-00	23 - 8	1WD-F5939-61	26 - 14	BKA-F8351-00-P0	32 - 24	BKA-H2151-00	40 - 14
B74-F2141-00	15 - 8	B74-F4135-00	21 - 20		25 - 5	BKA-F6110-00	27 - 1	BKA-F8351-00-P3	32 - 24	BKA-H2151-10	40 - 15
B74-F2210-10	18 - 11	B74-F414A-00	21 - 17	B74-F5181-00	23 - 11	B74-F6144-00	27 - 13	BKA-F8351-00-P3	31 - 21	BKA-H2151-60	40 - 16
B74-F2591-00	6 - 24	B74-F414B-10	32 - 48	B74-F5183-00	18 - 8	B74-F6145-00-P0	27 - 21	BKA-F835J-00-P0	32 - 26	BKA-H2151-90	40 - 17
BKA-F2865-00-P0	32 - 39		32 - 49	B74-F5338-00-98	25 - 1	4US-F6199-00	31 - 19	BKA-F835K-00-P0	32 - 31	B74-H2151-A1	40 - 11
BKA-F286F-00	32 - 19	5D9-F414G-00	21 - 3	B74-F5338-00-P2	25 - 1		31 - 34	BKA-F835X-00	31 - 38	1WD-H2155-00	40 - 10
BG6-F3102-00	20 - 1	1DW-F4180-02	21 - 19	1WD-F5802-00	24 - 4	B74-F6213-00	27 - 17	BKA-F8365-00	31 - 39	B74-H2310-00	41 - 1
BG6-F3103-00	20 - 19	B74-F419A-00	21 - 14	1WD-F5802-50	26 - 4	2DP-F6240-00	27 - 3	BKA-F8368-00	31 - 71	B74-H2370-00	41 - 3
BG6-F3107-00	20 - 3	B74-F4313-00	21 - 18	1WD-F5803-00	24 - 5	2DP-F6241-00	27 - 2	B74-F836B-00	27 - 23	B74-H2501-13	40 - 33
	20 - 21	BG6-F4314-01	21 - 21	1WD-F5803-50	26 - 5	BKA-F6246-00	27 - 4	BKA-F836K-00	31 - 1	B74-H251P-00	15 - 3
5BP-F3111-10	20 - 17	B74-F4425-00	21 - 11	B74-F5805-00	24 - 12	BKA-F6280-00	27 - 11	BKA-F836L-00	31 - 9	B6H-H2530-00	28 - 29
	20 - 35	3C1-F4486-00	21 - 10	B74-F5806-00	26 - 15	BKA-F6290-10	27 - 12	BKA-F836M-00	31 - 25	B6H-H254B-00	40 - 44
2JK-F3114-00	20 - 16	B74-F4494-00	31 - 57	B74-F5807-00	28 - 2	BKA-F6301-00	27 - 6	BKA-F8377-00-P0	32 - 29	B74-H2566-00	40 - 31
	20 - 34	3C1-F4519-00	21 - 6		28 - 20	B74-F637G-00	27 - 9	BKA-F8377-00-P3	32 - 29	1PA-H2576-00	40 - 43
B74-F3118-00	20 - 15	B74-F4610-00	21 - 16	B74-F580U-00	24 - 3	B74-F7111-00	29 - 6	BKA-F837L-00	31 - 65	BKA-H2590-12	40 - 13
	20 - 33	B74-F4639-00	22 - 22	B74-F580W-00	26 - 3	45P-F7114-00	29 - 8	BKA-F837M-00	31 - 68	B5X-H2591-00	40 - 2
B65-F3123-00	20 - 41	B74-F4652-09	22 - 33	B74-F581J-00	28 - 42	4YY-F7114-00	29 - 16	BKA-F837N-00	32 - 1	B74-H276E-10	40 - 34
B74-F3126-00	20 - 2	B74-F465B-00	22 - 34	B74-F582U-00	24 - 1	B74-F7261-10	29 - 9	BKA-F837U-00	32 - 43	BKA-H3220-51	36 - 1
B74-F312H-00	19 - 9	B74-F465E-00	22 - 32	B74-F582W-00	26 - 1	B74-F7311-00	29 - 11	BKA-F8381-00	32 - 16	BKA-H3310-00	35 - 1
B74-F3136-00	20 - 20	BKA-F470F-00	22 - 3	5TL-F5838-00	26 - 18	B74-F741L-00	29 - 19	BKA-F8385-00	29 - 1	BKA-H3320-00	35 - 6
B74-F3141-00	20 - 13	BKA-F470F-20	22 - 3	1WD-F5852-00	28 - 4	B74-F742L-00	29 - 28	B74-F838L-01	31 - 16	B6H-H3371-00	41 - 7
	20 - 31	BKA-F471D-00	22 - 37		28 - 22	B74-F7430-10	29 - 17	B74-F838N-00	29 - 4	B3F-H3383-00	40 - 45
5BP-F3144-00	20 - 9	BKA-F4723-00	22 - 10	3C1-F5855-00	28 - 7	2DP-F7431-10	29 - 18	B74-F838V-01	31 - 33	52B-H3591-00	41 - 5
	20 - 27	B74-F4727-00	22 - 20		28 - 25	B74-F7437-00	29 - 24	BKA-F838W-00	31 - 53	BKA-H3912-00	28 - 26
5BP-F3145-00	20 - 7	B74-F472T-01	22 - 30	B74-F5867-00	28 - 6		29 - 33	BKA-F839L-00	31 - 11	BKA-H3922-00	28 - 8
	20 - 25	BKA-F4730-00	22 - 1		28 - 24	B74-F7440-10	29 - 26	BKA-F839V-00	31 - 27	BKA-H3969-00	39 - 1
2JK-F3149-01	20 - 14	BKA-F4730-20	22 - 1	BKA-F5870-00	28 - 19	2DP-F7441-10	29 - 27	B74-F839W-01	31 - 47	BKA-H3975-00	39 - 3
	20 - 32	BKA-F473R-00	22 - 7	BKA-F5870-10	28 - 1	BKA-F7456-00	31 - 24	BKA-F83D3-00	32 - 34	B6H-H3980-00	28 - 11
22W-F3156-L0	20 - 8	B74-F4741-00	22 - 2	B74-F5872-00	28 - 14	BKA-F7481-00	30 - 1	BKA-F8427-00	32 - 12	BKA-H4300-00	37 - 1
	20 - 26	BX9-F474A-00-PB	17 - 4	B74-F5873-00	28 - 32	B74-F7483-00	30 - 29	BKA-F842A-00	32 - 45	B74-H4547-00	38 - 18
2BU-F3158-00	20 - 11	BX9-F474A-00-PF	17 - 4	B74-F5874-00	28 - 35	B74-F7484-00	30 - 30	BKA-F842M-00-P0	31 - 62	B74-H454J-00	38 - 19
	20 - 29	B74-F474E-01	22 - 24	B74-F5875-00	28 - 38	BKA-F7488-00	30 - 10	BKA-F843C-00	32 - 46	BKA-H4710-00	38 - 1
2CM-F3166-00	20 - 10	BX9-F474W-00-PA	17 - 14	B74-F5876-00	28 - 47	B74-F7493-00	30 - 31	B74-H1410-00	33 - 2	BKA-H4716-00-P0	17 - 21
	20 - 28	BX9-F474W-00-PE	17 - 14	B74-F587A-10	28 - 50	B74-F7494-00	30 - 32	B74-H1450-00	33 - 1	1WD-H4726-00	38 - 20
B74-F3170-00	20 - 4	BKA-F475M-00	22 - 4	B74-F5886-00	28 - 17	BKA-F74A8-00	31 - 45	BX9-H1639-00	10 - 33	BKA-H4730-00	38 - 7
	20 - 22	1S7-F4768-00	22 - 40	BKA-F5887-00	28 - 40	B74-F8100-00	22 - 42	B74-H1801-00	34 - 2	B74-H4740-10	38 - 16

NUMERICAL INDEX

PART NO.	REF. NO.	PART NO.	REF. NO.	PART NO.	REF. NO.	PART NO.	REF. NO.	PART NO.	REF. NO.	PART NO.	REF. NO.
1WD-H4744-00	38 - 17	90110-06172	34 - 7	90183-05807	29 - 2	90269-06813	32 - 38	90464-04004	37 - 7	90480-14818	6 - 18
B74-H4748-00	38 - 22	90110-06178	33 - 3		31 - 4	90269-06816	27 - 20	90464-06008	28 - 45	90480-14823	38 - 5
50C-H4759-00	16 - 8	90110-06182	4 - 13		31 - 7	90269-07014	6 - 31	90464-07805	28 - 46		38 - 11
B74-H4770-00	22 - 11	90110-06187	4 - 7		31 - 10	90269-08007	32 - 47	90464-09806	40 - 35	90480-15483	6 - 14
2FC-H5111-00	16 - 13	90110-06245	32 - 17		31 - 26	90269-08058	31 - 8	90464-10008	21 - 22	90480-19368	35 - 4
B74-H5112-00	42 - 5	90110-06405	4 - 5		31 - 46	90269-09005	30 - 4		40 - 25		35 - 9
3C1-H5130-00	38 - 14	90110-06868	1 - 23		31 - 63		30 - 13	90464-10112	40 - 27	90501-12743	29 - 20
B65-H5546-00	40 - 39	90111-05810	40 - 32		32 - 5	90280-05013	2 - 8	90464-10802	6 - 6		29 - 29
1SD-H5700-00	40 - 18	90111-06807	9 - 7		32 - 25	90338-06809	22 - 13	90464-12018	40 - 26	90506-32814	29 - 12
B74-H5752-00	21 - 9	90111-06839	30 - 23		32 - 27	90338-07018	31 - 48	90464-13185	21 - 2	90506-40807	29 - 7
B74-H5801-00	8 - 16		30 - 28		32 - 30	90338-14802	8 - 36	90464-13801	31 - 35	90508-13800	31 - 15
BPV-H591A-00	40 - 1	90111-08087	26 - 2		32 - 32	90340-12816	10 - 23	90464-14803	42 - 4	90508-13801	31 - 32
BX9-H592A-00	41 - 4	90119-06051	32 - 2		32 - 37	90340-18002	1 - 3	90464-16003	40 - 29	90508-14803	31 - 51
B74-H5970-01	42 - 2	90119-06235	30 - 7		35 - 3	90340-32805	5 - 10	90464-24230	40 - 24	90520-03846	31 - 2
B74-H5980-01	42 - 7		30 - 16		35 - 8	90387-064W3	6 - 15	90464-30001	40 - 40	90520-04015	15 - 2
BKA-H6260-00	40 - 37		31 - 41		38 - 2	90387-068G3	38 - 4	90464-34801	40 - 30	90520-06808	31 - 12
B5X-H6261-04	40 - 38	90119-06268	32 - 10		38 - 8		38 - 10	90464-36800	22 - 35		31 - 28
4C9-W0048-00	24 - 6	90119-068A2	21 - 4	90183-06818	27 - 15	90387-068N8	32 - 9		40 - 23	90520-06827	32 - 35
5YP-W0048-50	26 - 8	90149-05018	40 - 8		31 - 17	90387-068S0	37 - 5	90464-36802	40 - 28	90520-08822	31 - 66
B74-WE445-00	8 - 23	90149-05029	23 - 9		31 - 54	90387-08839	17 - 9	90464-50800	22 - 41		31 - 69
90101-10830	29 - 13		25 - 6		36 - 2		17 - 19	90467-10038	6 - 5	90520-10834	22 - 12
90105-06057	28 - 48	90149-06104	27 - 22	90185-14801	23 - 13	90387-10849	29 - 15	90467-12052	8 - 40	90520-10835	11 - 13
90105-10883	2 - 6	90149-10804	24 - 13	90185-16800	18 - 10	90387-15834	23 - 10		10 - 11	90520-10836	8 - 42
90105-12805	15 - 10	90154-05011	32 - 44	90201-06033	6 - 16	90387-15835	23 - 4		10 - 12	90520-10837	11 - 11
90105-12806	15 - 9	90160-05808	27 - 19	90201-10118	28 - 16	90387-17807	18 - 9	90467-12809	8 - 28	90520-20821	11 - 12
90105-12807	13 - 28		30 - 18		28 - 34	90388-08803	10 - 8		8 - 32	91312-05008	40 - 12
90109-06577	28 - 10		30 - 20		28 - 37		18 - 6	90467-14015	8 - 41	91312-05010	21 - 12
	28 - 28		30 - 25		28 - 44	90401-10812	28 - 15	90467-20805	6 - 28		22 - 38
90109-068B5	6 - 37		31 - 3	90201-10848	2 - 7		28 - 33	90467-21801	6 - 29	91312-05014	3 - 12
	16 - 12		32 - 3	90201-10849	1 - 17		28 - 36	90467-22002	6 - 19	91312-06016	42 - 6
	16 - 21		32 - 20	90201-15813	23 - 12		28 - 43	90467-24800	6 - 20	91312-06025	4 - 20
	16 - 26		32 - 36	90201-18262	10 - 5	90430-06803	1 - 5	90467-250A1	6 - 34	91312-08030	19 - 8
	17 - 7		32 - 42	90201-19014	13 - 27		5 - 9	90467-26131	6 - 35	91317-06030	27 - 5
	17 - 17	90167-05076	27 - 18	90201-23015	13 - 25	90430-08804	10 - 26	90468-18121	22 - 21	91337-06035	16 - 6
	17 - 25	90170-14802	13 - 29	90201-23801	13 - 32	90430-10806	5 - 5	90480-01559	16 - 9	91402-25015	29 - 23
	22 - 14	90176-06808	37 - 6	90202-26142	19 - 4		41 - 6		16 - 18		29 - 32
	29 - 3	90179-05003	32 - 18	90269-06812	6 - 38	90430-12803	10 - 24		16 - 23	91702-08038	29 - 22
	30 - 6	90179-06055	16 - 2		22 - 16	90450-52008	8 - 38		17 - 3		29 - 31
	30 - 15	90179-07001	2 - 4		22 - 31	90450-56009	8 - 12		17 - 13	92012-06010	27 - 7
	31 - 37	90179-10818	1 - 16		31 - 40	90464-04004	30 - 3		30 - 2	92012-06020	22 - 36
	31 - 59	90179-22025	19 - 7	90269-06813	31 - 42		30 - 12		30 - 11	92017-05012	38 - 21
	32 - 15	90179-25810	19 - 3		31 - 44		30 - 22		32 - 21	92017-05016	27 - 8
90109-068C5	16 - 5	90183-05807	16 - 10		31 - 61		30 - 27	90480-10289	37 - 4	93102-25826	14 - 14
90109-068D5	40 - 36		16 - 19		31 - 64		32 - 28	90480-10332	9 - 8	93102-35805	10 - 16
90109-08232	24 - 2		16 - 24		31 - 67		32 - 33	90480-13398	32 - 22	93102-35806	14 - 11
90110-06161	12 - 5		17 - 2		31 - 70		32 - 41	90480-13567	17 - 26	93103-10801	5 - 14
	33 - 4		17 - 12		32 - 4		35 - 5		32 - 8	93106-22808	23 - 2
90110-06172	8 - 4		27 - 16		32 - 23		35 - 10	90480-14229	32 - 7	93106-28801	18 - 3

NUMERICAL INDEX

PART NO.	REF. NO.	PART NO.	REF. NO.	PART NO.	REF. NO.	PART NO.	REF. NO.	PART NO.	REF. NO.	PART NO.	REF. NO.
93106-28813	18 - 4	95812-08016	29 - 25	95E32-06060	7 - 2	99009-18400	10 - 6				
93210-10096	7 - 6		29 - 34		10 - 20	99009-28400	14 - 7				
93210-12801	4 - 2	95812-08020	17 - 8	95E32-06070	10 - 14	99009-40700	13 - 31				
93210-14816	10 - 28		17 - 18	95E32-06110	10 - 15	99009-47500	18 - 5				
93210-18397	10 - 7	95812-08055	32 - 11	95E32-08012	22 - 26	99009-52500	14 - 10				
93210-198J0	5 - 7	95817-08030	18 - 14		41 - 8	99530-08012	10 - 13				
93210-22800	6 - 40	95817-10030	26 - 19	95E32-08055	19 - 13	99530-10114	10 - 18				
93210-32816	5 - 11	95817-10060	18 - 7	95E37-06016	11 - 8		10 - 31				
93210-40659	8 - 3	95D02-06012	28 - 49	95E37-06020	5 - 8		11 - 3				
93210-48530	7 - 10	95D02-06016	42 - 8	95E37-06025	28 - 13	99530-14016	1 - 21				
93300-205Y0	14 - 13	95D07-06012	28 - 39		28 - 31		1 - 22				
93306-000Y3	5 - 13		28 - 41	97527-05512	31 - 58						
93306-002XM	4 - 3		28 - 51	97602-04212	28 - 12						
93306-078Y1	14 - 9	95D07-06016	42 - 3		28 - 30						
93306-204XV	2 - 13	95D32-06020	37 - 3	97702-40012	22 - 6						
93306-272YC	14 - 4		38 - 3	97702-50012	16 - 11						
93306-303YT	2 - 12		38 - 9		16 - 20						
	14 - 3	95D32-06025	6 - 17		16 - 25						
93306-303YV	18 - 2		8 - 11		17 - 6						
93306-304YW	14 - 8		36 - 4		17 - 16						
93399-99932	20 - 38		40 - 6		30 - 8						
93399-999Y3	19 - 1	95D32-06030	8 - 37		30 - 17						
933A6-202Y1	23 - 3	95D32-08016	10 - 25		31 - 49						
93430-12831	29 - 10	95D37-06020	6 - 41		35 - 2						
93450-17129	2 - 17	95D37-10040	18 - 12		35 - 7						
93501-04830	29 - 21	95D37-10045	9 - 15		38 - 6						
	29 - 30	95E32-06012	1 - 4		38 - 12						
93900-00828	23 - 6		1 - 8	97702-50016	27 - 14						
	25 - 3		4 - 9		29 - 5						
94112-15800	23 - 5		6 - 23		31 - 43						
94114-14803	25 - 2		6 - 25		36 - 3						
94568-F9058	7 - 3		15 - 6		40 - 46						
94568-H8110	4 - 10		15 - 13	97702-50020	8 - 35						
94700-00436	1 - 19		19 - 10	97707-50012	31 - 13						
95022-08040	10 - 32		21 - 15		31 - 20						
95027-06012	15 - 4		22 - 29		31 - 30						
95027-08035	9 - 5		27 - 10		31 - 36						
95602-06100	28 - 9		28 - 18	97707-50016	16 - 16						
	28 - 27		31 - 22		17 - 5						
95602-10200	29 - 14		31 - 56		17 - 15						
95602-12200	15 - 11		40 - 21		17 - 22						
95607-10200	18 - 13	95E32-06016	1 - 12		38 - 13						
95612-08620	1 - 6		41 - 2	97707-50025	8 - 25						
95702-06500	22 - 18	95E32-06020	6 - 3	97707-50035	8 - 26						
95702-08500	9 - 14		7 - 9	98502-06012	8 - 14						
95707-05500	16 - 14	95E32-06025	1 - 15	98507-05025	39 - 4						
	38 - 15		11 - 4	98907-04035	39 - 2						
95812-06010	32 - 13	95E32-06040	10 - 19	99009-10400	5 - 15						