

# PARTS CATALOGUE



DBNM8



MDNM8

## MTN250-A ( BFB2 ) MALAYSIA

---

MTN250-A  
PARTS CATALOGUE  
©2023 by Yamaha Motor Co., Ltd.  
1st edition, October 2023  
All rights reserved.  
Any reprinting or unauthorized use  
without the written permission of  
Yamaha Motor Co., Ltd.  
is expressly prohibited.  
Printed in Japan.

# FOREWORD

This Parts Catalogue is related to the parts for the model(s) on the cover page. When you are ordering replacement parts, please refer to this Parts Catalogue and quote both part numbers and part names correctly.

1. Modifications or additions which have been made after the issue of the Parts Catalogue will be announced in the Parts News.  
It is advisable that you make the necessary corrections to the Parts Catalogue according to the Parts News.

2. Abbreviations

The following abbreviations are used in this Parts Catalogue.

“UR” Use specified parts number.

“UN” Use as many as needed.

“AP” Alternate Parts

“LM” Locally Made (Parts need to be ordered locally)

“F#” Frame No. (Applicable machine No.)

“O/S” Over Size

3. The number of components for assembly

- Parts, which are to be supplied in an assembly, are listed with a dot (.) in front of the part name as shown below.
- The numeral appearing to the right of each component part indicates the quantity of parts for each assembly unit.

| PART NO.     | DESCRIPTION              | Q'TY | REMARKS |
|--------------|--------------------------|------|---------|
| 2F5-83310-60 | FRONT FLASHER LIGHT ASSY | 2    |         |
| 115-83311-60 | .BULB (6V-18W)           | 1    |         |

4. Applicable colours of graphics are represented in the “REMARKS” as shown below.

| PART NO.        | DESCRIPTION         | Q'TY | REMARKS |
|-----------------|---------------------|------|---------|
| 2N4-24110-00-X5 | FUEL TANK COMP.     | 2    | MXR     |
| 3J1-24240-10    | .GRAPHIC, FUEL TANK | 1    | FOR MXR |

5. Note that the illustrations for reference in finding parts numbers are not to be used for assembling. When assembling, please use the applicable service manual.

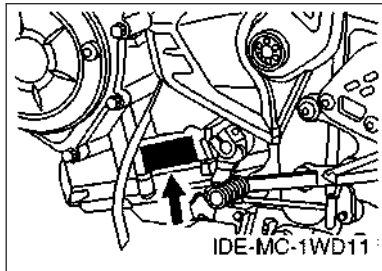
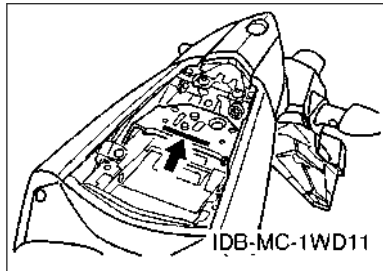
6. The asterisk (\*) before a reference number indicates modified items after the first edition.

# FOREWORD

7. Applicable Serial No.

Frame Serial No.

Engine Serial No.



8. Applicable Colour Code (The (\*) mark shows Model colour.)

| Abbreviation | Colour Name                 | Colour Code |
|--------------|-----------------------------|-------------|
| CS6          | CYAN SOLID 6                | 1754        |
| DBNM8(*)     | DARK BLUISH GRAY METALLIC 8 | 0919        |
| LGB          | LOW GLOSS BLACK             | 0098        |
| MBL2         | MAT BLACK 2                 | 0582        |
| MDNM8(*)     | MAT DARK GRAY METALLIC 8    | 1654        |
| SM12         | BLACK METALLIC 12           | 1723        |
|              |                             |             |
|              |                             |             |
|              |                             |             |
|              |                             |             |

9. Applicable Starting Serial No.

Frame Serial No.

| Serial No. | Name Of Q'ty Column | Model Code |
|------------|---------------------|------------|
|            |                     |            |
|            |                     |            |
|            |                     |            |
|            |                     |            |

Engine Serial No.

| Serial No. | Name Of Q'ty Column | Model Code |
|------------|---------------------|------------|
|            |                     |            |
|            |                     |            |
|            |                     |            |
|            |                     |            |

# CONTENTS

## ENGINE

|                          |    |
|--------------------------|----|
| CYLINDER HEAD.....       | 1  |
| CRANKSHAFT & PISTON..... | 3  |
| VALVE.....               | 5  |
| CAMSHAFT & CHAIN.....    | 7  |
| WATER PUMP.....          | 8  |
| RADIATOR & HOSE.....     | 9  |
| OIL PUMP.....            | 11 |
| INTAKE.....              | 12 |
| EXHAUST.....             | 14 |
| CRANKCASE.....           | 15 |
| CRANKCASE COVER 1.....   | 16 |
| STARTER CLUTCH.....      | 17 |
| CLUTCH.....              | 18 |
| TRANSMISSION.....        | 19 |
| SHIFT CAM & FORK.....    | 21 |
| SHIFT SHAFT.....         | 22 |

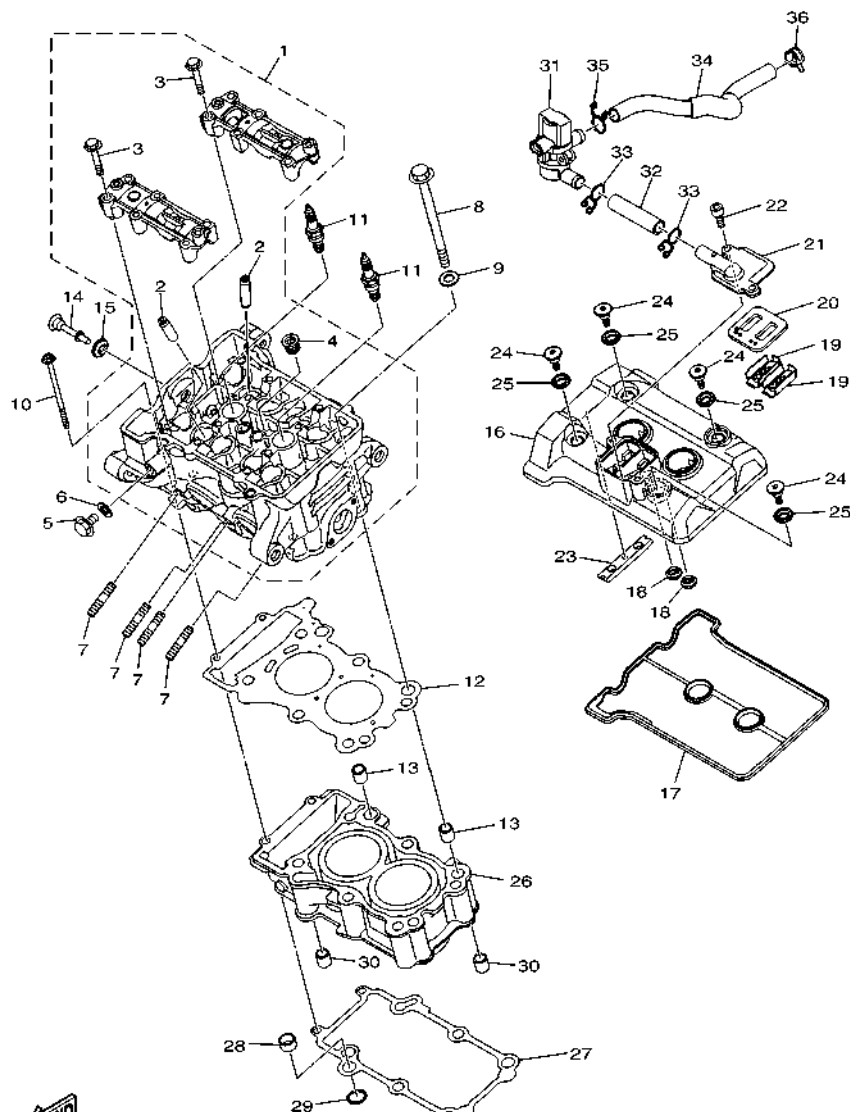
## CHASSIS

|                              |    |
|------------------------------|----|
| FRAME.....                   | 23 |
| FENDER.....                  | 25 |
| SIDE COVER.....              | 27 |
| REAR ARM & SUSPENSION.....   | 30 |
| STEERING.....                | 31 |
| FRONT FORK.....              | 32 |
| FUEL TANK.....               | 34 |
| FUEL TANK 2.....             | 37 |
| SEAT.....                    | 41 |
| FRONT WHEEL.....             | 42 |
| FRONT BRAKE CALIPER.....     | 43 |
| REAR WHEEL.....              | 44 |
| REAR BRAKE CALIPER.....      | 46 |
| STEERING HANDLE & CABLE..... | 47 |
| FRONT MASTER CYLINDER.....   | 48 |
| STAND & FOOTREST.....        | 50 |
| REAR MASTER CYLINDER.....    | 52 |
| GENERATOR.....               | 54 |
| STARTING MOTOR.....          | 55 |
| FLASHER LIGHT.....           | 56 |
| METER.....                   | 57 |

|                            |    |
|----------------------------|----|
| HEADLIGHT.....             | 58 |
| TAILLIGHT.....             | 60 |
| HANDLE SWITCH & LEVER..... | 61 |
| ELECTRICAL 1.....          | 62 |
| ELECTRICAL 2.....          | 64 |
| ELECTRICAL 3.....          | 65 |

## INDEX

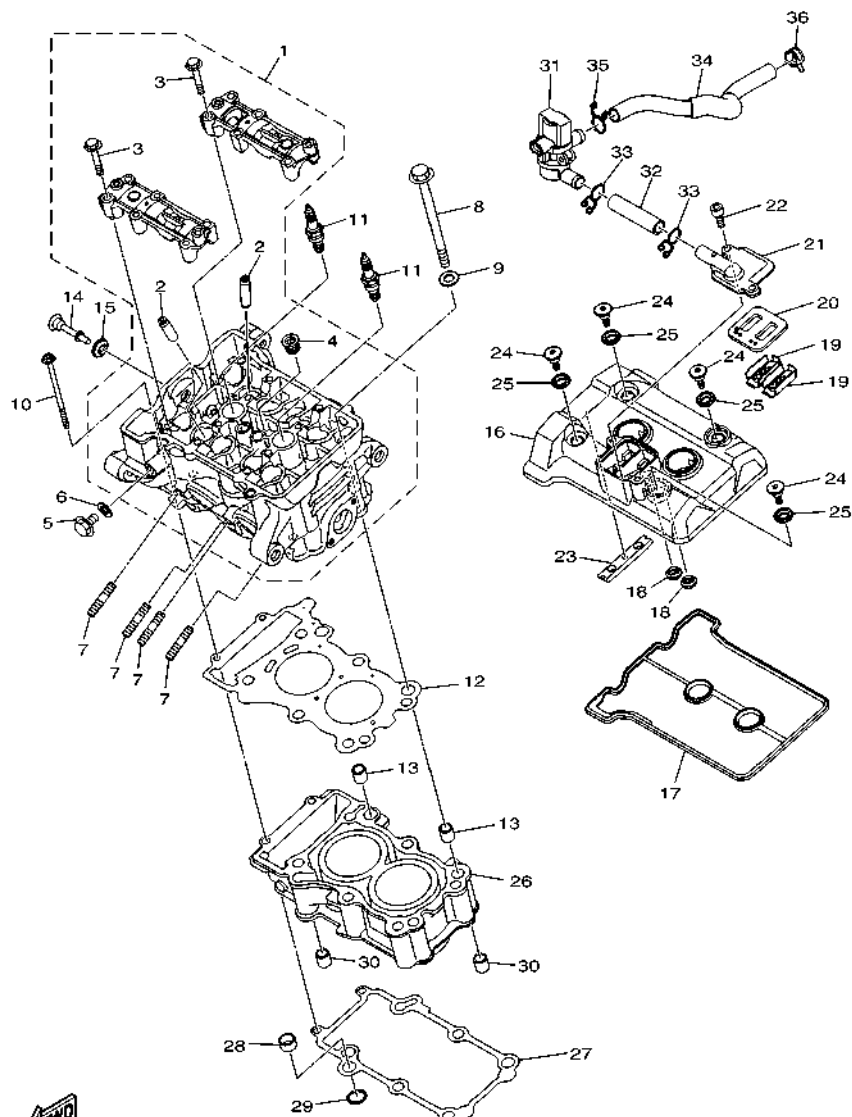
|                      |    |
|----------------------|----|
| NUMERICAL INDEX..... | 66 |
|----------------------|----|



BGJ1516-W010

FIG. 1 CYLINDER HEAD

| REF. NO. | PART NO.     | DESCRIPTION                | BFB2 |  |  |  | REMARKS |
|----------|--------------|----------------------------|------|--|--|--|---------|
| 1        | B1X-E1102-01 | CYLINDER HEAD ASSY         | 1    |  |  |  |         |
| 2        | 1WD-E1133-10 | .GUIDE, VALVE 1            | 8    |  |  |  |         |
| 3        | 90105-06027  | .BOLT, FLANGE              | 12   |  |  |  |         |
| 4        | 90340-18002  | .PLUG, STRAIGHT SCREW      | 1    |  |  |  |         |
| 5        | 95022-08012  | BOLT, FLANGE               | 1    |  |  |  |         |
| 6        | 90430-08119  | GASKET                     | 1    |  |  |  |         |
| 7        | 95612-08625  | BOLT, STUD                 | 4    |  |  |  |         |
| 8        | 1WD-E1361-00 | BOLT, CYLINDER HOLDING 1   | 6    |  |  |  |         |
| 9        | 90201-10845  | WASHER, PLATE              | 6    |  |  |  |         |
| 10       | 90110-06870  | BOLT, HEXAGON SOCKET HEAD  | 2    |  |  |  |         |
| 11       | 94700-00436  | PLUG, SPARK (NGK LMAR8A-9) | 2    |  |  |  |         |
| 12       | BS8-E1181-00 | GASKET, CYLINDER HEAD 1    | 1    |  |  |  |         |
| 13       | 99530-14016  | PIN, DOWEL                 | 2    |  |  |  |         |
| 14       | 90109-06898  | BOLT                       | 1    |  |  |  |         |
| 15       | 1WD-E111G-00 | RUBBER, MOUNT 1            | 1    |  |  |  |         |
| 16       | B1X-E1191-00 | COVER, CYLINDER HEAD 1     | 1    |  |  |  |         |
| 17       | B1X-E1193-00 | GASKET, HEAD COVER 1       | 1    |  |  |  |         |
| 18       | B1X-E1195-00 | GASKET                     | 2    |  |  |  |         |
| 19       | 5VY-1482K-00 | PLATE                      | 2    |  |  |  |         |
| 20       | 1WD-E4890-00 | REED VALVE ASSY            | 1    |  |  |  |         |
| 21       | 1WD-E4899-00 | CAP, CASE                  | 1    |  |  |  |         |
| 22       | 91332-06020  | BOLT                       | 2    |  |  |  |         |
| 23       | 1WD-E2241-01 | GUIDE, STOPPER 2           | 1    |  |  |  |         |
| 24       | 90109-06899  | BOLT                       | 4    |  |  |  |         |
| 25       | 1WD-E111G-00 | RUBBER, MOUNT 1            | 4    |  |  |  |         |
| 26       | 1WD-E1311-10 | CYLINDER 1                 | 1    |  |  |  |         |
| 27       | B1X-E1351-00 | GASKET, CYLINDER           | 1    |  |  |  |         |

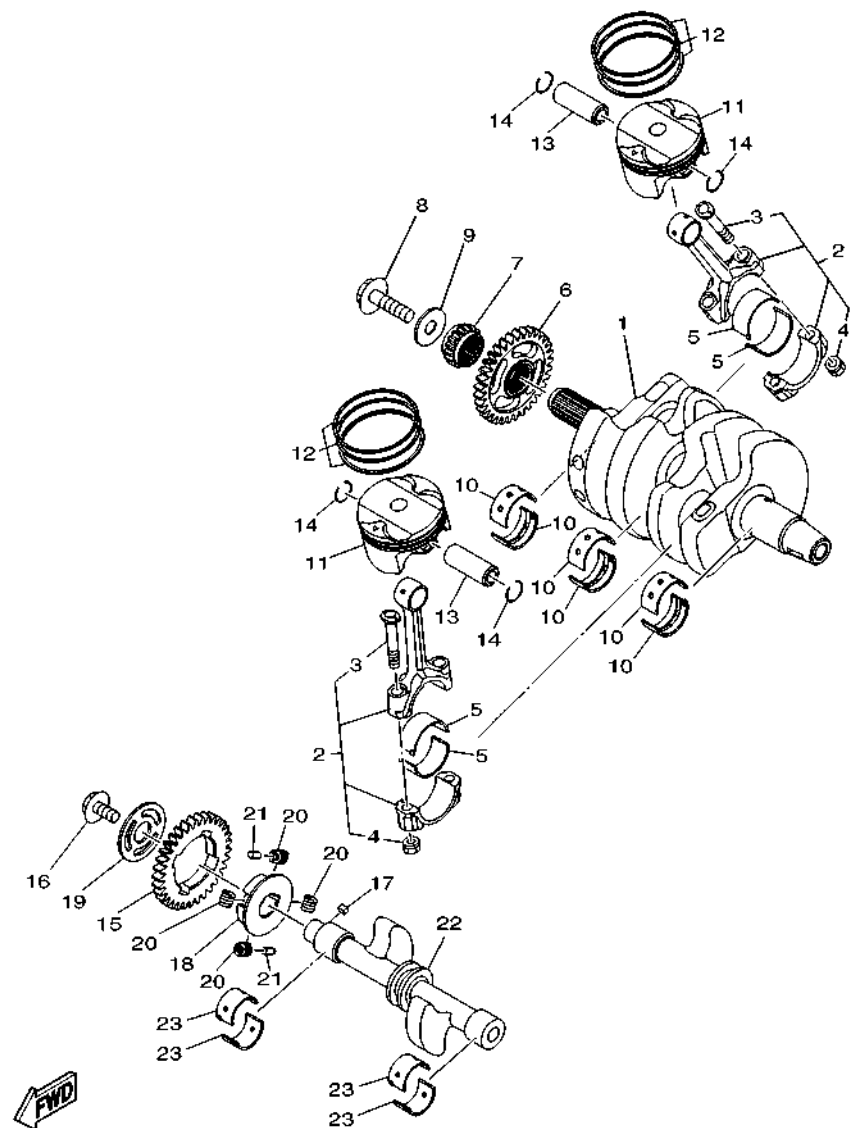


BGJ1516-W010

FIG. 1 CYLINDER HEAD

| REF. NO. | PART NO.     | DESCRIPTION        | BFB2 |  |  |  | REMARKS |
|----------|--------------|--------------------|------|--|--|--|---------|
| 28       | 5NL-12564-00 | PIPE, WATER        | 1    |  |  |  |         |
| 29       | 93210-16716  | O-RING             | 1    |  |  |  |         |
| 30       | 99530-14016  | PIN, DOWEL         | 2    |  |  |  |         |
| 31       | 1WD-E4840-10 | AIR CUT VALVE ASSY | 1    |  |  |  |         |
| 32       | 1WD-E4881-00 | HOSE, BEND 1       | 1    |  |  |  |         |
| 33       | 90467-16801  | CLIP               | 2    |  |  |  |         |
| 34       | 1WD-E4882-02 | HOSE, BEND 2       | 1    |  |  |  |         |
| 35       | 90467-16801  | CLIP               | 1    |  |  |  |         |
| 36       | 90467-16800  | CLIP               | 1    |  |  |  |         |

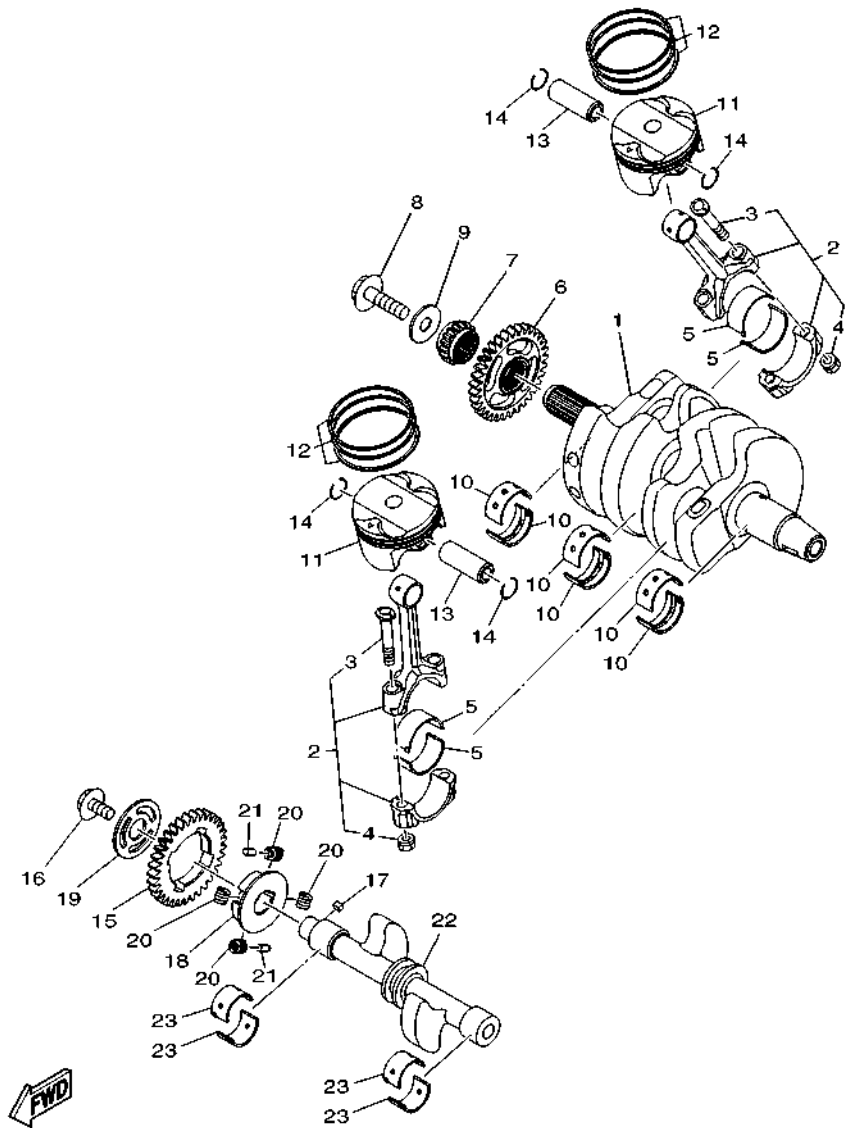
**FIG. 2 CRANKSHAFT & PISTON**



B1E1010-T020

| REF. NO. | PART NO.     | DESCRIPTION                   | BFB2 |  |  | REMARKS   |
|----------|--------------|-------------------------------|------|--|--|-----------|
| 1        | 1WD-E1411-10 | CRANKSHAFT                    | 1    |  |  |           |
| 2        | 1WD-11650-00 | CONNECTING ROD ASSY           | 2    |  |  |           |
| 3        | 5SL-11654-00 | .BOLT, CONNECTING ROD         | 2    |  |  |           |
| 4        | 90179-07652  | .NUT                          | 2    |  |  |           |
| 5        | 1WD-11656-00 | PLANE BEARING, CONNECTING ROD | 4    |  |  | UR BLUE   |
|          | 1WD-11656-10 | PLANE BEARING, CONNECTING ROD | 4    |  |  | UR BLACK  |
|          | 1WD-11656-20 | PLANE BEARING, CONNECTING ROD | 4    |  |  | UR BROWN  |
|          | 1WD-11656-30 | PLANE BEARING, CONNECTING ROD | 4    |  |  | UR GREEN  |
| 6        | 1WD-E1536-00 | GEAR, DRIVE                   | 1    |  |  |           |
| 7        | 1WD-E1549-00 | SPROCKET, CAM CHAIN           | 1    |  |  |           |
| 8        | 90105-10883  | BOLT, FLANGE                  | 1    |  |  |           |
| 9        | 90201-10848  | WASHER, PLATE                 | 1    |  |  |           |
| 10       | B1X-11416-00 | PLANE BEARING, CRANKSHAFT 1   | 6    |  |  | UR BLUE   |
|          | B1X-11416-10 | PLANE BEARING, CRANKSHAFT 1   | 6    |  |  | UR BLACK  |
|          | B1X-11416-20 | PLANE BEARING, CRANKSHAFT 1   | 6    |  |  | UR BROWN  |
|          | B1X-11416-30 | PLANE BEARING, CRANKSHAFT 1   | 6    |  |  | UR GREEN  |
|          | B1X-11416-40 | PLANE BEARING, CRANKSHAFT 1   | 6    |  |  | UR YELLOW |
| 11       | B1X-E1631-00 | PISTON (STD)                  | 2    |  |  |           |
| 12       | BS8-E1603-00 | PISTON RING SET (STD)         | 2    |  |  |           |
| 13       | 1WD-E1633-00 | PIN, PISTON                   | 2    |  |  |           |
| 14       | 93450-16068  | CIRCLIP                       | 4    |  |  |           |
| 15       | 1WD-E1531-00 | GEAR, BALANCE WEIGHT          | 1    |  |  |           |
| 16       | 90105-088F8  | BOLT, FLANGE                  | 1    |  |  |           |
| 17       | 90282-04036  | KEY, STRAIGHT                 | 1    |  |  |           |
| 18       | 1WD-E1496-00 | BOSS, BUFFER                  | 1    |  |  |           |
| 19       | 90201-16812  | WASHER, PLATE                 | 1    |  |  |           |
| 20       | 90501-22800  | SPRING, COMPRESSION           | 4    |  |  |           |

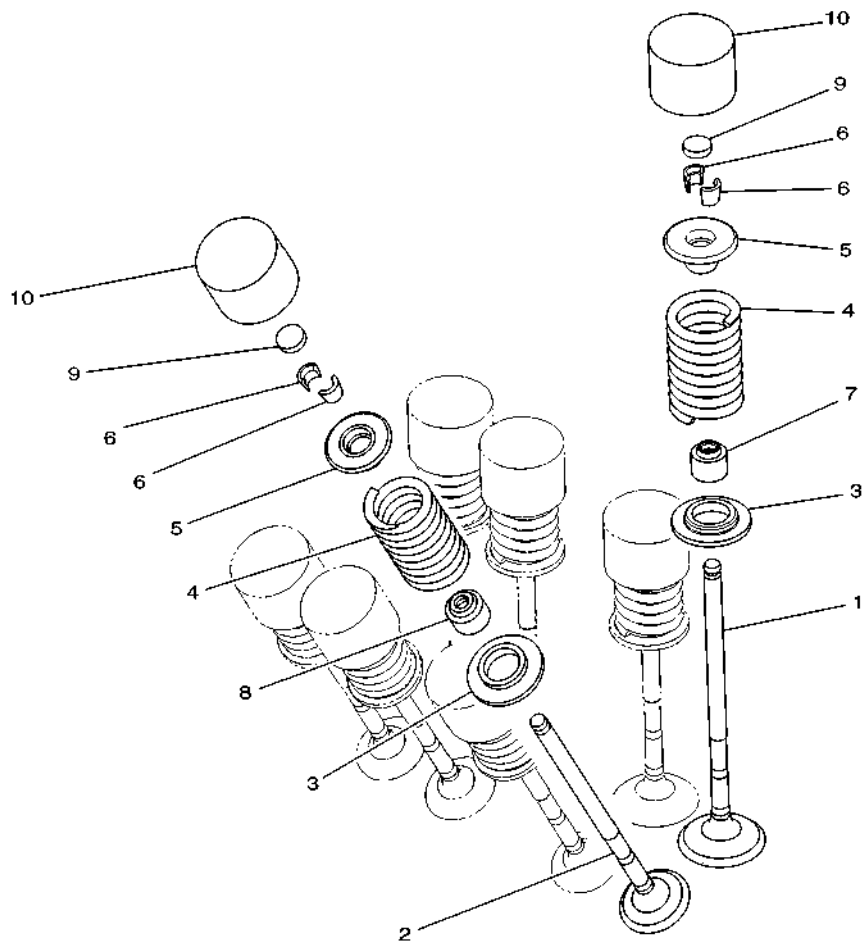




B1E1010-T020

**FIG. 2 CRANKSHAFT & PISTON**

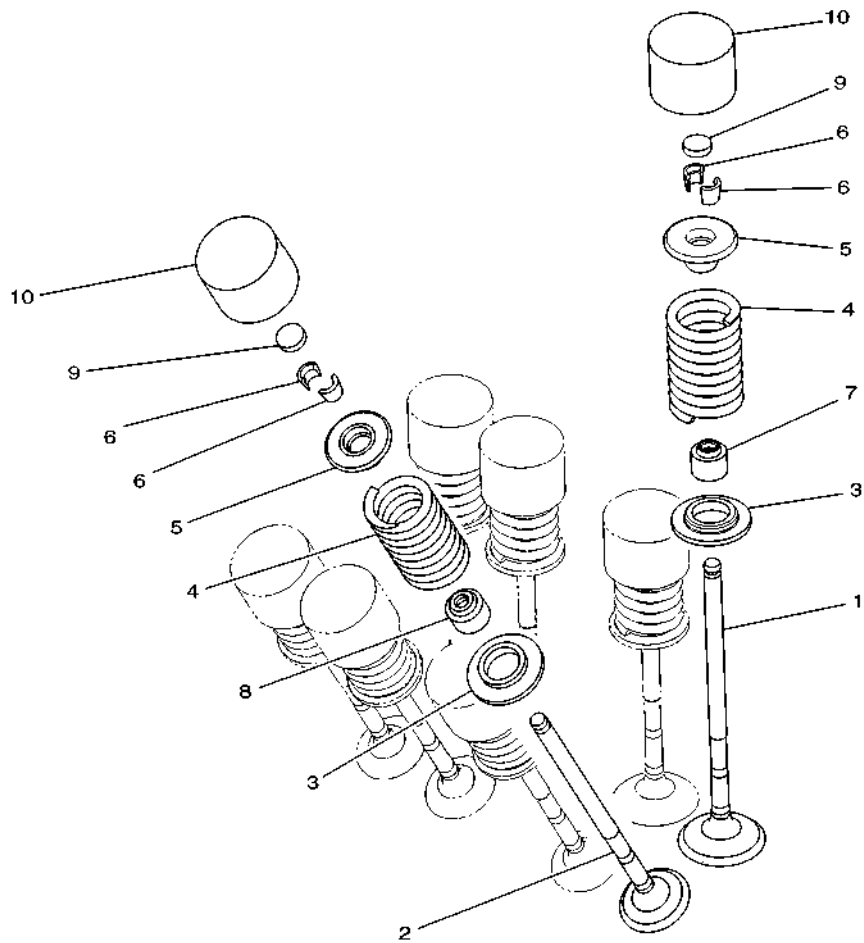
| REF. NO. | PART NO.     | DESCRIPTION           | BFB2 |  |  |  | REMARKS   |
|----------|--------------|-----------------------|------|--|--|--|-----------|
| 21       | 93605-10090  | PIN, DOWEL            | 2    |  |  |  |           |
| 22       | 1WD-E1454-00 | WEIGHT 1              | 1    |  |  |  |           |
| 23       | 1WD-11413-00 | METAL, BALANCE WEIGHT | 4    |  |  |  | UR BLUE   |
|          | 1WD-11413-10 | METAL, BALANCE WEIGHT | 4    |  |  |  | UR BLACK  |
|          | 1WD-11413-20 | METAL, BALANCE WEIGHT | 4    |  |  |  | UR BROWN  |
|          | 1WD-11413-30 | METAL, BALANCE WEIGHT | 4    |  |  |  | UR GREEN  |
|          | 1WD-11413-40 | METAL, BALANCE WEIGHT | 4    |  |  |  | UR YELLOW |
| -----    |              |                       |      |  |  |  |           |
| -----    |              |                       |      |  |  |  |           |
| -----    |              |                       |      |  |  |  |           |
| -----    |              |                       |      |  |  |  |           |
| -----    |              |                       |      |  |  |  |           |
| -----    |              |                       |      |  |  |  |           |
| -----    |              |                       |      |  |  |  |           |
| -----    |              |                       |      |  |  |  |           |
| -----    |              |                       |      |  |  |  |           |
| -----    |              |                       |      |  |  |  |           |



B1E1010-T030

FIG. 3 VALVE

| REF. NO. | PART NO.     | DESCRIPTION                 | BFB2 |  |  | REMARKS |
|----------|--------------|-----------------------------|------|--|--|---------|
| 1        | B1X-E2111-00 | VALVE, INTAKE               | 4    |  |  |         |
| 2        | B1X-12121-10 | VALVE, EXHAUST              | 4    |  |  |         |
| 3        | 1WD-E2126-00 | SEAT, VALVE SPRING 2        | 8    |  |  |         |
| 4        | B1X-E2113-00 | SPRING, VALVE INNER         | 8    |  |  |         |
| 5        | 1WD-E2117-00 | RETAINER, VALVE SPRING      | 8    |  |  |         |
| 6        | 3S0-E2118-00 | LOCK, VALVE SPRING RETAINER | 16   |  |  |         |
| 7        | BS8-E2119-00 | SEAL, VALVE STEM            | 4    |  |  |         |
| 8        | 1PA-E2119-00 | SEAL, VALVE STEM            | 4    |  |  |         |
| 9        | 1HX-12168-F0 | PAD, ADJUSTING 2 (1.50)     | 8    |  |  | UR      |
|          | 1HX-12168-H1 | PAD, ADJUSTING 2 (1.55)     | 8    |  |  | UR      |
|          | 1HX-12168-K1 | PAD, ADJUSTING 2 (1.60)     | 8    |  |  | UR      |
|          | 1HX-12168-M1 | PAD, ADJUSTING 2 (1.65)     | 8    |  |  | UR      |
|          | 1HX-12168-R1 | PAD, ADJUSTING 2 (1.70)     | 8    |  |  | UR      |
|          | 1HX-12168-U1 | PAD, ADJUSTING 2 (1.75)     | 8    |  |  | UR      |
|          | 1HX-12168-W1 | PAD, ADJUSTING 2 (1.80)     | 8    |  |  | UR      |
|          | 1HX-12168-Y1 | PAD, ADJUSTING 2 (1.85)     | 8    |  |  | UR      |
|          | 1HX-12169-11 | PAD, ADJUSTING 2 (1.90)     | 8    |  |  | UR      |
|          | 1HX-12169-31 | PAD, ADJUSTING 2 (1.95)     | 8    |  |  | UR      |
|          | 1HX-12169-50 | PAD, ADJUSTING 2 (2.00)     | 8    |  |  | UR      |
|          | 1HX-12169-70 | PAD, ADJUSTING 2 (2.05)     | 8    |  |  | UR      |
|          | 1HX-12169-90 | PAD, ADJUSTING 2 (2.10)     | 8    |  |  | UR      |
|          | 1HX-12169-E0 | PAD, ADJUSTING 2 (2.15)     | 8    |  |  | UR      |
|          | 1HX-12169-G0 | PAD, ADJUSTING 2 (2.20)     | 8    |  |  | UR      |
|          | 1HX-12169-J0 | PAD, ADJUSTING 2 (2.25)     | 8    |  |  | UR      |
|          | 1HX-12169-L0 | PAD, ADJUSTING 2 (2.30)     | 8    |  |  | UR      |
|          | 1HX-12169-N0 | PAD, ADJUSTING 2 (2.35)     | 8    |  |  | UR      |
|          | 1HX-12169-T0 | PAD, ADJUSTING 2 (2.40)     | 8    |  |  | UR      |

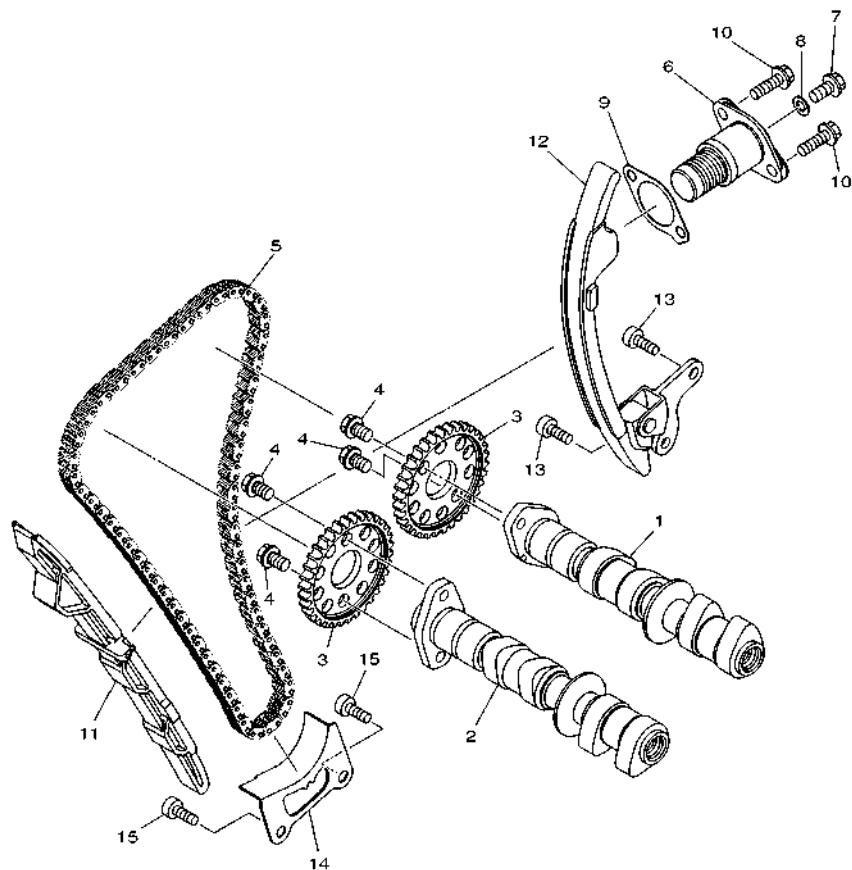


  
 B1E1010-T030

**FIG. 3 VALVE**

| REF. NO. | PART NO.     | DESCRIPTION   | BFB2 |  |  |  | REMARKS |
|----------|--------------|---------------|------|--|--|--|---------|
| 10       | 1WD-E2153-11 | LIFTER, VALVE | 8    |  |  |  |         |
|          |              |               |      |  |  |  |         |
|          |              |               |      |  |  |  |         |
|          |              |               |      |  |  |  |         |
|          |              |               |      |  |  |  |         |
|          |              |               |      |  |  |  |         |
|          |              |               |      |  |  |  |         |
|          |              |               |      |  |  |  |         |
|          |              |               |      |  |  |  |         |
|          |              |               |      |  |  |  |         |

**FIG. 4 CAMSHAFT & CHAIN**

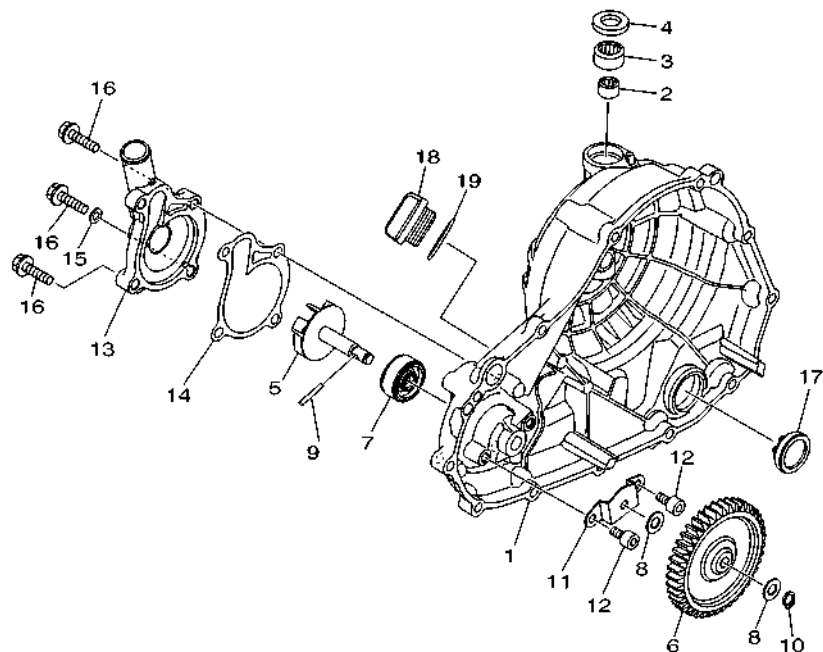


| REF. NO. | PART NO.     | DESCRIPTION               | BFB2 |  |  |  | REMARKS |
|----------|--------------|---------------------------|------|--|--|--|---------|
| 1        | B1X-E2170-00 | CAMSHAFT ASSY 1           | 1    |  |  |  |         |
| 2        | B1X-E2180-00 | CAMSHAFT ASSY 2           | 1    |  |  |  |         |
| 3        | 1WD-E2176-00 | SPROCKET, CAM CHAIN       | 2    |  |  |  |         |
| 4        | 90105-07800  | BOLT, FLANGE              | 4    |  |  |  |         |
| 5        | 94568-K0118  | CHAIN (98XRH2015-118P-M)  | 1    |  |  |  |         |
| 6        | B1X-12210-00 | TENSIONER ASSY, CAM CHAIN | 1    |  |  |  |         |
| 7        | 95022-06008  | BOLT, FLANGE              | 1    |  |  |  |         |
| 8        | 90430-06014  | GASKET                    | 1    |  |  |  |         |
| 9        | 1WD-E2213-00 | GASKET, TENSIONER CASE    | 1    |  |  |  |         |
| 10       | 95812-06020  | BOLT, FLANGE              | 2    |  |  |  |         |
| 11       | 1WD-E2251-00 | DAMPER, CHAIN 1           | 1    |  |  |  |         |
| 12       | 1WD-E2252-01 | DAMPER, CHAIN 2           | 1    |  |  |  |         |
| 13       | 90110-06161  | BOLT, HEXAGON SOCKET HEAD | 2    |  |  |  |         |
| 14       | 1WD-E2256-00 | COVER, CHAIN              | 1    |  |  |  |         |
| 15       | 90110-06161  | BOLT, HEXAGON SOCKET HEAD | 2    |  |  |  |         |



BGJ1516-W040

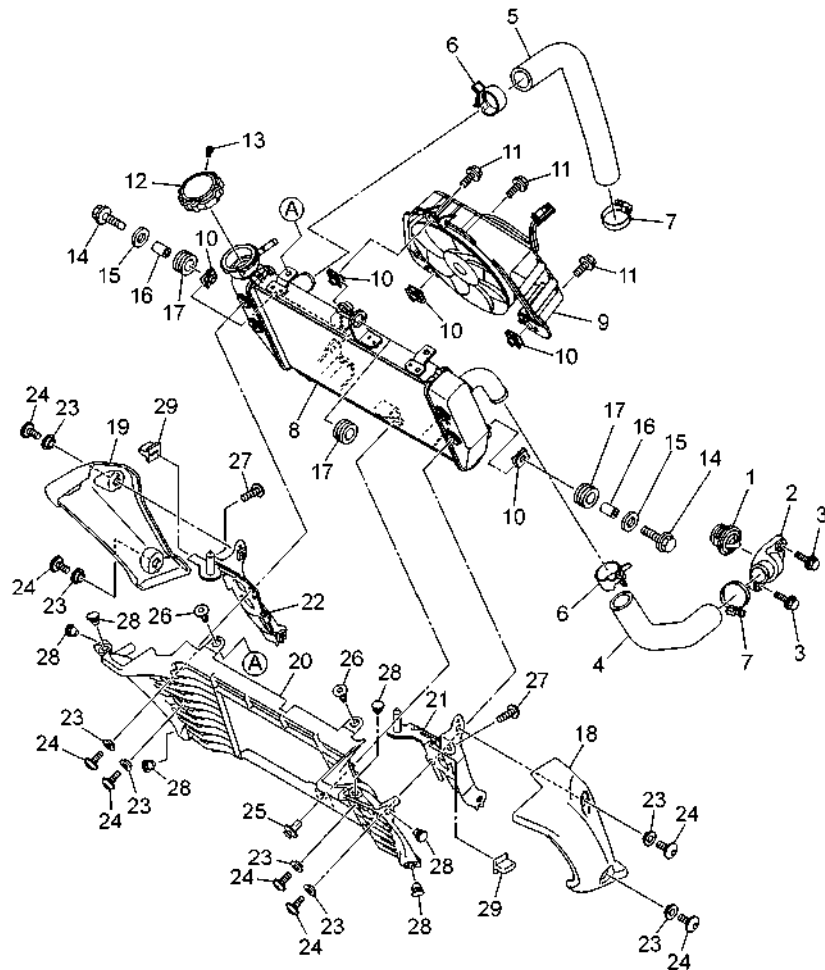
**FIG. 5 WATER PUMP**



| REF. NO. | PART NO.     | DESCRIPTION               | BFB2 |  |  |  | REMARKS |
|----------|--------------|---------------------------|------|--|--|--|---------|
| 1        | B1X-E5421-00 | COVER, CRANKCASE 2        | 1    |  |  |  | MBL2    |
| 2        | 93317-11096  | BEARING                   | 1    |  |  |  |         |
| 3        | 93315-21570  | BEARING                   | 1    |  |  |  |         |
| 4        | 93102-15801  | OIL SEAL                  | 1    |  |  |  |         |
| 5        | 1WD-E2450-00 | IMPELLER SHAFT ASSY       | 1    |  |  |  |         |
| 6        | 1WD-E2453-00 | GEAR                      | 1    |  |  |  |         |
| 7        | 33S-E2223-00 | SEAL                      | 1    |  |  |  |         |
| 8        | 33S-E2456-00 | WASHER                    | 2    |  |  |  |         |
| 9        | 1WD-E319L-00 | PIN, STRAIGHT             | 1    |  |  |  |         |
| 10       | 99009-08400  | CIRCLIP                   | 1    |  |  |  |         |
| 11       | 1WD-E2681-00 | PLATE                     | 1    |  |  |  |         |
| 12       | 91312-06010  | BOLT, HEXAGON SOCKET HEAD | 2    |  |  |  |         |
| 13       | 1WD-E2422-00 | COVER, HOUSING            | 1    |  |  |  |         |
| 14       | 1WD-E2428-00 | GASKET, HOUSING COVER 2   | 1    |  |  |  |         |
| 15       | 90430-06014  | GASKET                    | 1    |  |  |  |         |
| 16       | 95022-06025  | BOLT, FLANGE              | 3    |  |  |  |         |
| 17       | 2H7-15361-00 | GAUGE, LEVEL              | 1    |  |  |  |         |
| 18       | 1WD-E5362-00 | PLUG, OIL LEVEL           | 1    |  |  |  |         |
| 19       | 93210-27807  | O-RING                    | 1    |  |  |  |         |

  
B9T2460-W050

**FIG. 6 RADIATOR & HOSE**

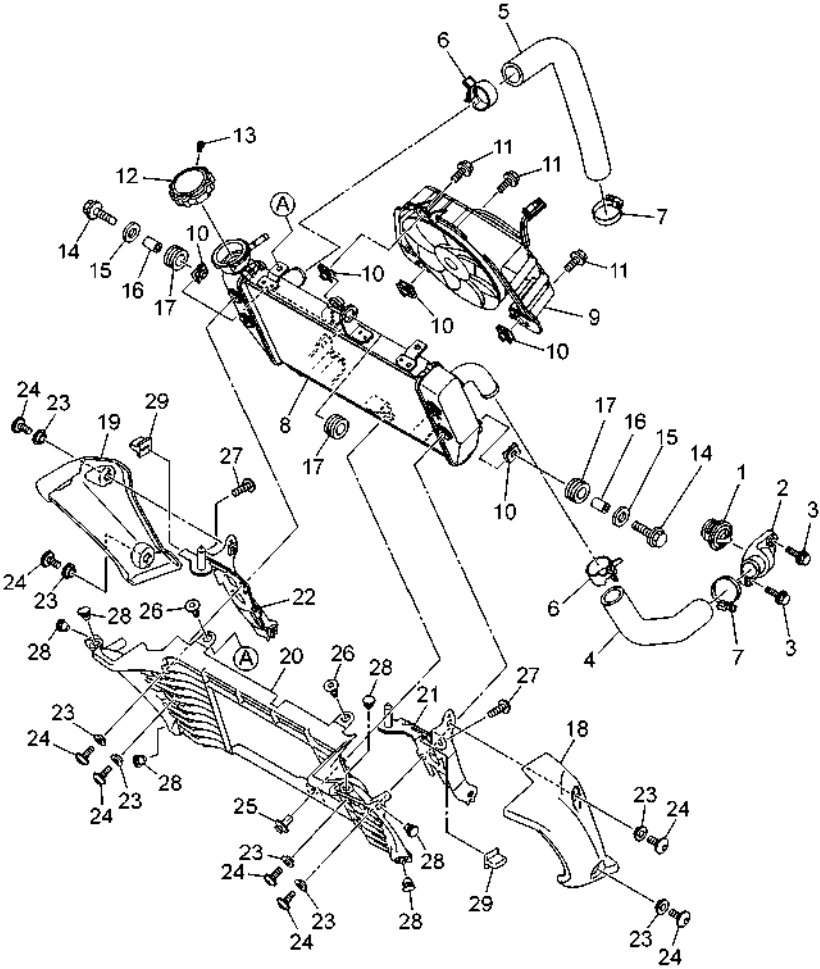


  
BFB2440-Z060

| REF. NO. | PART NO.     | DESCRIPTION                 | BFB2 |  |  |  | REMARKS |
|----------|--------------|-----------------------------|------|--|--|--|---------|
| 1        | 5P0-12411-01 | THERMOSTAT                  | 1    |  |  |  |         |
| 2        | 1WD-E2413-00 | COVER, THERMOSTAT           | 1    |  |  |  |         |
| 3        | 95022-06020  | BOLT, FLANGE                | 2    |  |  |  |         |
| 4        | 1WD-E2577-00 | HOSE 2                      | 1    |  |  |  |         |
| 5        | 1WD-E2578-00 | HOSE 3                      | 1    |  |  |  |         |
| 6        | 90467-250A1  | CLIP                        | 2    |  |  |  |         |
| 7        | 90450-28001  | HOSE CLAMP ASSY             | 2    |  |  |  |         |
| 8        | B04-E2461-00 | RADIATOR COMP               | 1    |  |  |  |         |
| 9        | 1WD-E2405-00 | BLOWER ASSY                 | 1    |  |  |  |         |
| 10       | 1WD-E2671-00 | NUT 1                       | 5    |  |  |  |         |
| 11       | 5YP-E2675-00 | BOLT, BLOWER HOLDING        | 3    |  |  |  |         |
| 12       | B04-E2462-10 | CAP, RADIATOR               | 1    |  |  |  |         |
| 13       | 97707-30505  | SCREW, TAPPING              | 1    |  |  |  |         |
| 14       | 95827-06025  | BOLT, FLANGE                | 2    |  |  |  |         |
| 15       | 90201-06072  | WASHER, PLATE               | 2    |  |  |  |         |
| 16       | 90387-064W3  | COLLAR                      | 2    |  |  |  |         |
| 17       | 90480-15808  | GROMMET                     | 3    |  |  |  |         |
| 18       | B9T-F137U-00 | GUIDE, AIR 1                | 1    |  |  |  |         |
| 19       | B9T-F137V-00 | GUIDE, AIR 2                | 1    |  |  |  |         |
| 20       | B9T-F1557-00 | DUCT, AIR                   | 1    |  |  |  |         |
| 21       | B9T-F175T-00 | BRACKET 1                   | 1    |  |  |  |         |
| 22       | B9T-F175U-00 | BRACKET 2                   | 1    |  |  |  |         |
| 23       | 90387-06130  | COLLAR                      | 8    |  |  |  |         |
| 24       | 90111-06151  | BOLT, HEXAGON SOCKET BUTTON | 8    |  |  |  |         |
| 25       | 90269-07012  | RIVET                       | 1    |  |  |  |         |
| 26       | 90269-06816  | RIVET                       | 2    |  |  |  |         |
| 27       | 90160-05012  | SCREW, ROUND TAPPING        | 2    |  |  |  |         |

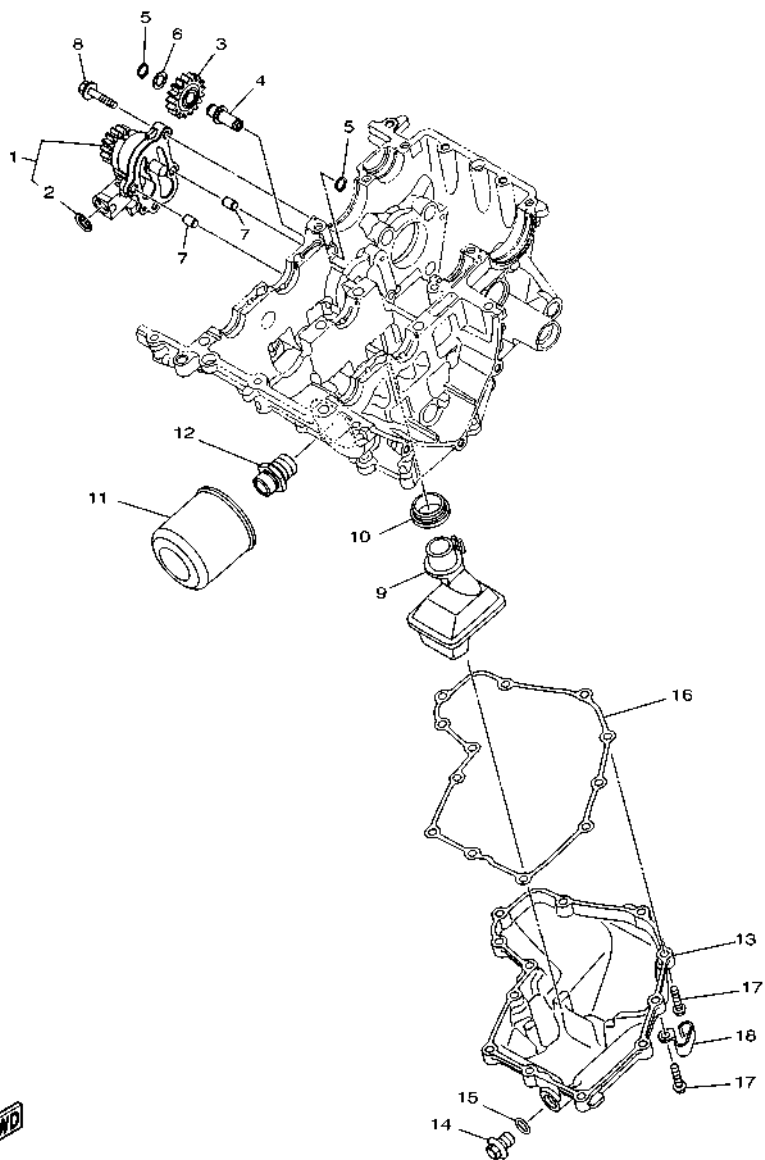
FIG. 6 RADIATOR & HOSE

| REF. NO. | PART NO.     | DESCRIPTION        | BFB2 | REMARKS |
|----------|--------------|--------------------|------|---------|
| 28       | 90338-06018  | PLUG               | 6    |         |
| 29       | 45P-F1778-00 | DAMPER, LOCATING 1 | 2    |         |
|          |              |                    |      |         |
|          |              |                    |      |         |
|          |              |                    |      |         |
|          |              |                    |      |         |
|          |              |                    |      |         |
|          |              |                    |      |         |
|          |              |                    |      |         |
|          |              |                    |      |         |
|          |              |                    |      |         |



FWD  
BFB2440-Z060

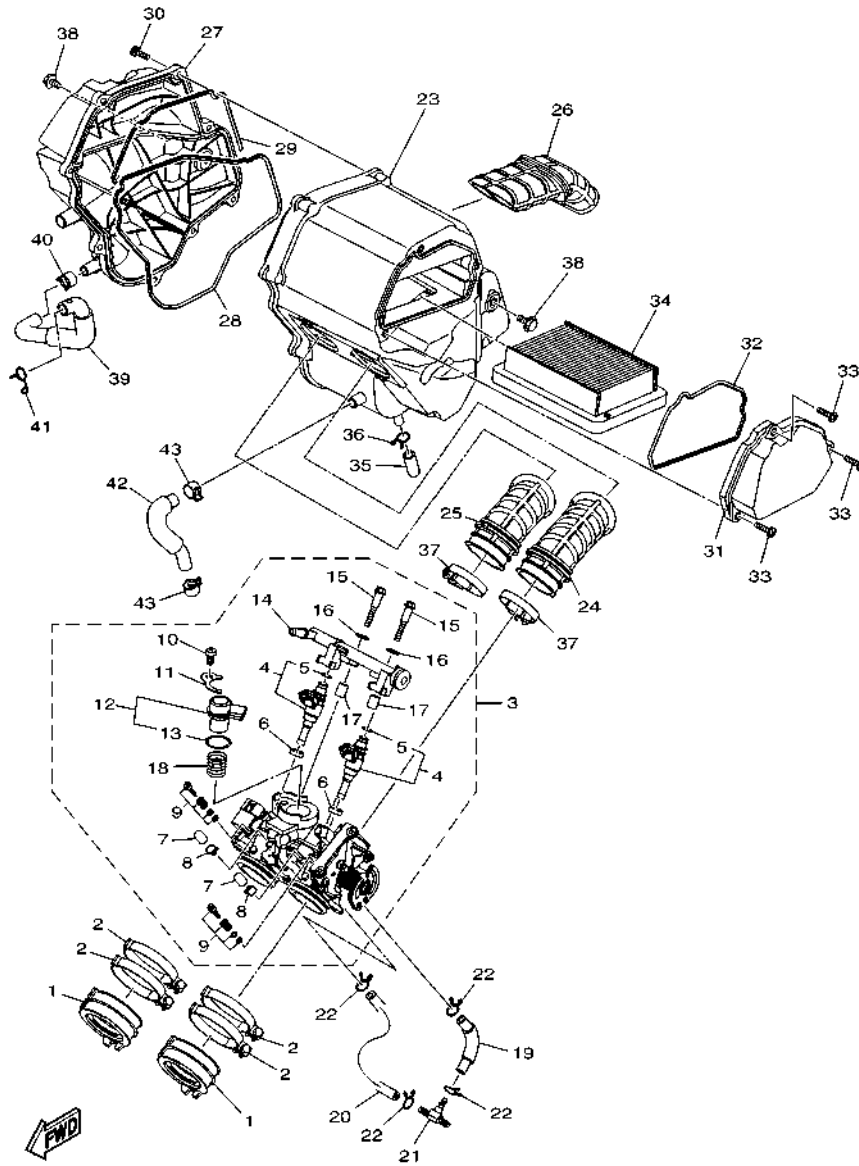
**FIG. 7 OIL PUMP**



BGJ1516-W070

| REF. NO. | PART NO.     | DESCRIPTION               | BFB2 |  |  |  | REMARKS |
|----------|--------------|---------------------------|------|--|--|--|---------|
| 1        | B1X-E3300-00 | OIL PUMP ASSY             | 1    |  |  |  |         |
| 2        | 99009-15500  | .CIRCLIP                  | 1    |  |  |  |         |
| 3        | 1WD-E3341-00 | GEAR, OIL PUMP IDLE       | 1    |  |  |  |         |
| 4        | 1WD-E3342-00 | SHAFT, IDLE GEAR          | 1    |  |  |  |         |
| 5        | 99009-10400  | CIRCLIP                   | 2    |  |  |  |         |
| 6        | 90201-10119  | WASHER, PLATE             | 1    |  |  |  |         |
| 7        | 99530-08012  | PIN, DOWEL                | 2    |  |  |  |         |
| 8        | 90105-06027  | BOLT, FLANGE              | 4    |  |  |  |         |
| 9        | 1WD-E3410-00 | STRAINER HOUSING ASSY     | 1    |  |  |  |         |
| 10       | 1WD-E3415-00 | SEAL, OIL STRAINER        | 1    |  |  |  |         |
| 11       | 1WD-E3440-10 | ELEMENT ASSY, OIL CLEANER | 1    |  |  |  |         |
| 12       | 90401-20011  | BOLT, UNION               | 1    |  |  |  |         |
| 13       | B1X-E3417-01 | COVER, STRAINER           | 1    |  |  |  |         |
| 14       | 90340-12808  | PLUG, STRAIGHT SCREW      | 1    |  |  |  |         |
| 15       | 4YS-E1198-00 | GASKET                    | 1    |  |  |  |         |
| 16       | B1X-E3414-00 | GASKET, STRAINER COVER    | 1    |  |  |  |         |
| 17       | 95022-06025  | BOLT, FLANGE              | 12   |  |  |  |         |
| 18       | 90462-08810  | CLAMP                     | 1    |  |  |  |         |

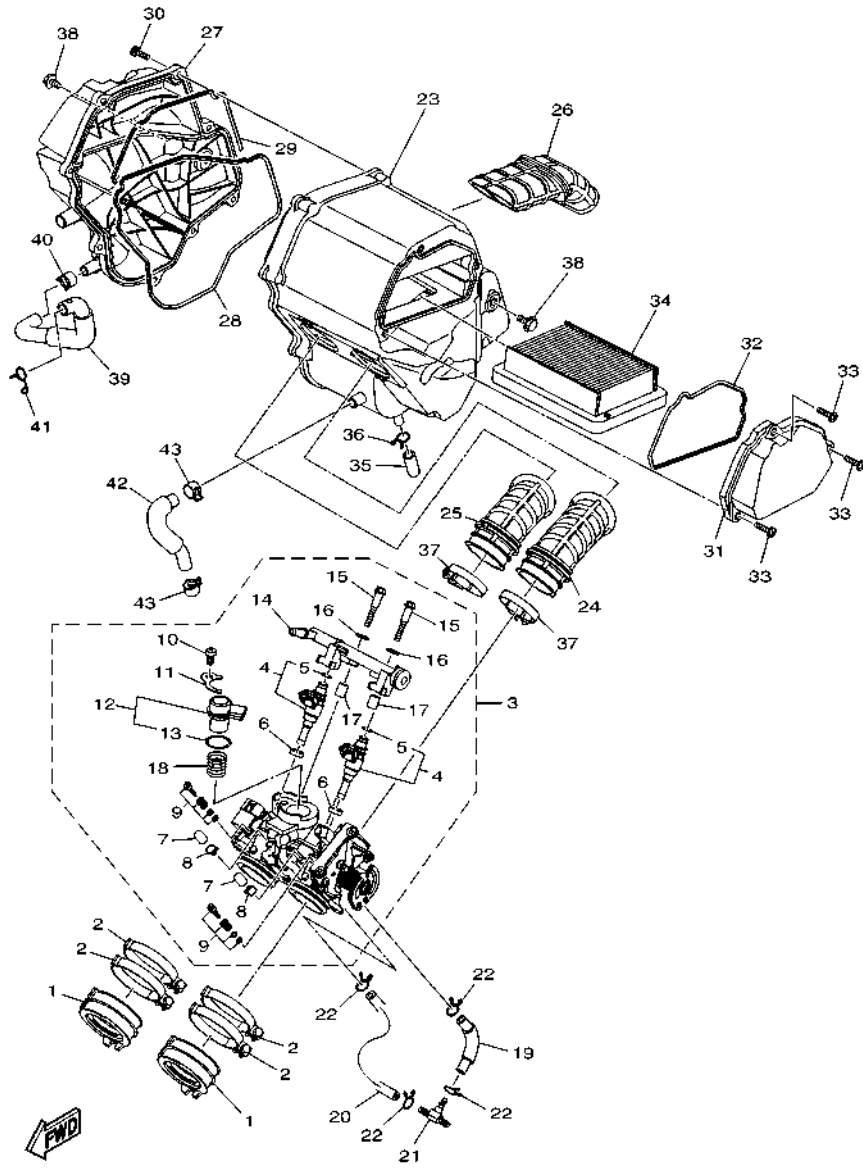




BGJ1516-W080

FIG. 8 INTAKE

| REF. NO. | PART NO.     | DESCRIPTION         | BFB2 |  |  |  | REMARKS |
|----------|--------------|---------------------|------|--|--|--|---------|
| 1        | B1X-E3635-00 | JOINT, INTAKE 1     | 2    |  |  |  |         |
| 2        | 90450-52801  | HOSE CLAMP ASSY     | 4    |  |  |  |         |
| 3        | B1X-E3750-01 | THROTTLE BODY ASSY  | 1    |  |  |  |         |
| 4        | 1WD-E3761-00 | .INJECTOR           | 2    |  |  |  |         |
| 5        | 5PS-14147-00 | .O-RING             | 1    |  |  |  |         |
| 6        | 1WD-E3556-00 | .GASKET, MANIFOLD   | 2    |  |  |  |         |
| 7        | 895-14169-00 | .CAP                | 2    |  |  |  |         |
| 8        | 8A7-14139-00 | .CLIP, PIPE         | 2    |  |  |  |         |
| 9        | 5JW-14104-00 | .AIR SCREW SET      | 2    |  |  |  |         |
| 10       | 98502-06012  | .SCREW, PAN HEAD    | 1    |  |  |  |         |
| 11       | 1WD-E4243-00 | .PLATE              | 1    |  |  |  |         |
| 12       | 1WS-85801-01 | .STEPPING MOTOR     | 1    |  |  |  |         |
| 13       | 54P-E416A-00 | .O-RING             | 1    |  |  |  |         |
| 14       | 1WD-E3938-00 | .PIPE               | 1    |  |  |  |         |
| 15       | 1WD-E3573-00 | .BOLT 1             | 2    |  |  |  |         |
| 16       | 8GL-13571-00 | .WASHER             | 2    |  |  |  |         |
| 17       | 8HG-14534-00 | .COLLAR             | 2    |  |  |  |         |
| 18       | 1WS-14335-00 | .SPRING, PLUNGER    | 1    |  |  |  |         |
| 19       | B1X-E4465-00 | PIPE                | 1    |  |  |  |         |
| 20       | 2MS-E4466-00 | PIPE                | 1    |  |  |  |         |
| 21       | 90413-06031  | WAY 3               | 1    |  |  |  |         |
| 22       | 90467-09006  | CLIP                | 4    |  |  |  |         |
| 23       | BR5-E4411-00 | CASE, AIR CLEANER 1 | 1    |  |  |  |         |
| 24       | B1X-E4469-00 | FUNNEL, AIR         | 1    |  |  |  |         |
| 25       | B1X-E446C-00 | FUNNEL 2            | 1    |  |  |  |         |
| 26       | BR5-E4437-00 | DUCT                | 1    |  |  |  |         |
| 27       | B1X-E4412-00 | CAP, CLEANER CASE 1 | 1    |  |  |  |         |

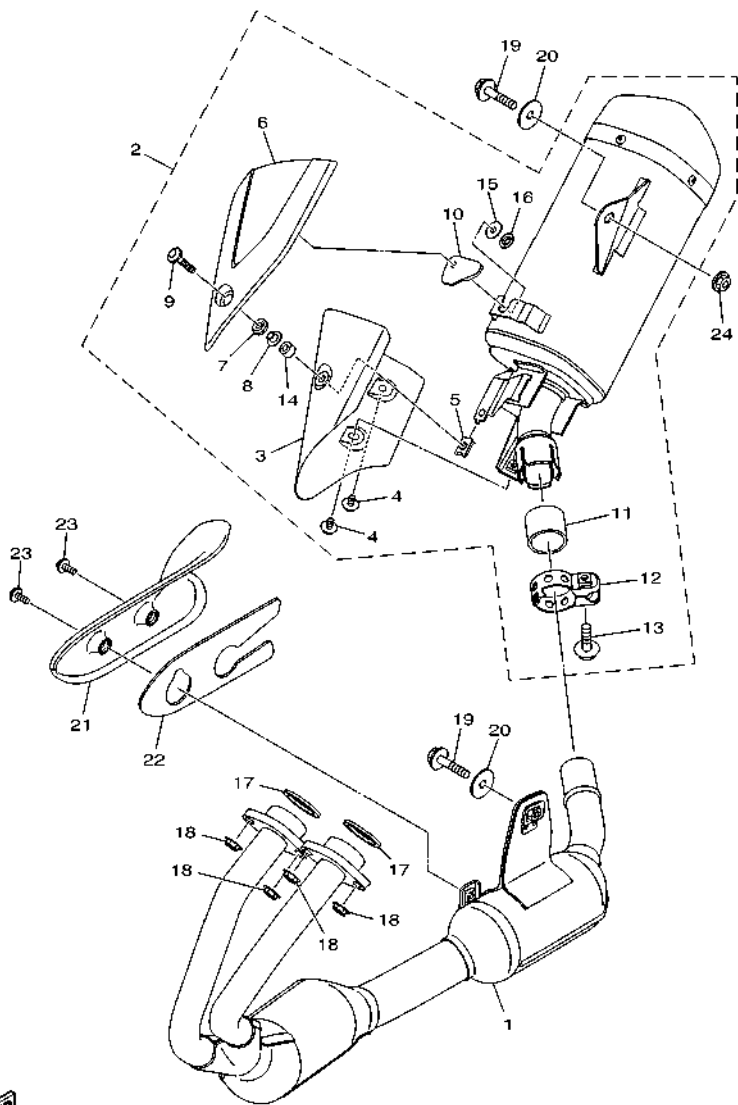


BGJ1516-W080

FIG. 8 INTAKE

| REF. NO. | PART NO.     | DESCRIPTION              | BFB2 |  |  | REMARKS |
|----------|--------------|--------------------------|------|--|--|---------|
| 28       | 1WD-E4452-00 | SEAL                     | 1    |  |  |         |
| 29       | 1WD-E4457-00 | SEAL                     | 1    |  |  |         |
| 30       | 97702-50025  | SCREW, TAPPING           | 8    |  |  |         |
| 31       | 1WD-E4422-00 | CAP, CLEANER CASE 2      | 1    |  |  |         |
| 32       | 1WD-E4462-00 | SEAL                     | 1    |  |  |         |
| 33       | 98902-05020  | SCREW, BIND              | 3    |  |  |         |
| 34       | 1WD-E4451-00 | ELEMENT, AIR CLEANER     | 1    |  |  |         |
| 35       | 52B-E443E-00 | PIPE, DRAIN              | 1    |  |  |         |
| 36       | 90467-110A3  | CLIP                     | 1    |  |  |         |
| 37       | 54P-E3474-00 | BAND                     | 2    |  |  |         |
| 38       | 95D32-06010  | BOLT, FLANGE DEEP RECESS | 2    |  |  |         |
| 39       | B1X-E3543-00 | HOSE, AIR                | 1    |  |  |         |
| 40       | 90467-13802  | CLIP                     | 1    |  |  |         |
| 41       | 90467-12052  | CLIP                     | 1    |  |  |         |
| 42       | 2MS-E5373-02 | PIPE, BREATHER           | 1    |  |  |         |
| 43       | 90467-13802  | CLIP                     | 2    |  |  |         |

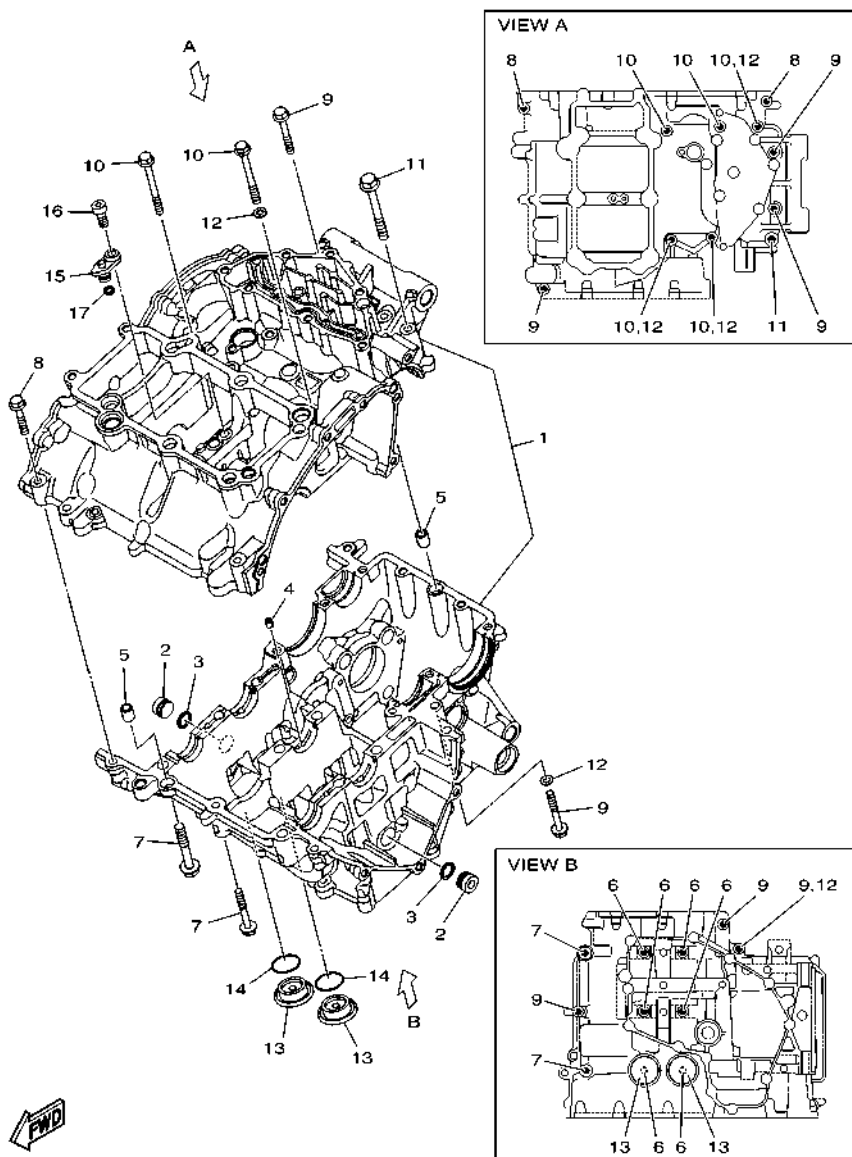
**FIG. 9 EXHAUST**



BGJ1516-W090

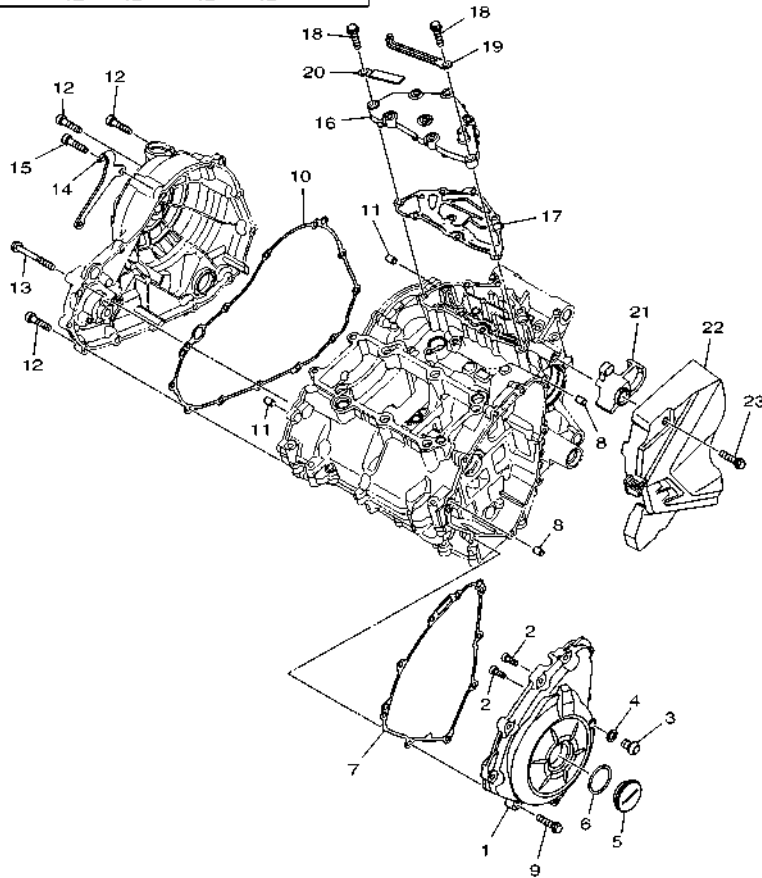
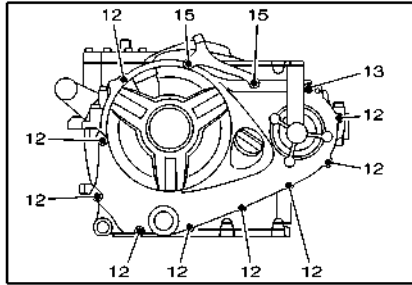
| REF. NO. | PART NO.     | DESCRIPTION                  | BFB2 | REMARKS |
|----------|--------------|------------------------------|------|---------|
| 1        | B1X-E4602-00 | EXHAUST PIPE COMP.           | 1    |         |
| 2        | BR5-E4710-00 | MUFFLER ASSY 1               | 1    |         |
| 3        | 1WD-E4758-00 | .PROTECTOR, SILENCER         | 1    |         |
| 4        | 90111-06802  | .BOLT, HEXAGON SOCKET BUTTON | 2    |         |
| 5        | 90183-06818  | .NUT, SPRING                 | 1    |         |
| 6        | 1WD-E4728-00 | .PROTECTOR, MUFFLER 2        | 1    |         |
| 7        | 90480-12581  | .GROMMET                     | 1    |         |
| 8        | 90387-06273  | .COLLAR                      | 1    |         |
| 9        | 90111-06847  | .BOLT, HEXAGON SOCKET BUTTON | 1    |         |
| 10       | 1WD-E4763-00 | .SPACER                      | 1    |         |
| 11       | 54D-E4714-00 | .GASKET, MUFFLER             | 1    |         |
| 12       | 1WD-E4715-00 | .BAND, MUFFLER               | 1    |         |
| 13       | 95027-08035  | .BOLT, FLANGE                | 1    |         |
| 14       | 90387-068N4  | .COLLAR                      | 1    |         |
| 15       | 90201-06088  | .WASHER, PLATE               | 1    |         |
| 16       | 90183-06011  | .NUT, SPRING                 | 1    |         |
| 17       | 1WD-E4613-00 | GASKET, EXHAUST PIPE         | 2    |         |
| 18       | 95707-08500  | NUT, FLANGE                  | 4    |         |
| 19       | 90105-088G7  | BOLT, FLANGE                 | 2    |         |
| 20       | 90201-08612  | WASHER, PLATE                | 2    |         |
| 21       | B1X-E4628-00 | PROTECTOR, EXHAUST PIPE      | 1    |         |
| 22       | B1X-E475P-00 | SEAT                         | 1    |         |
| 23       | 90111-06860  | BOLT, HEXAGON SOCKET BUTTON  | 2    |         |
| 24       | 95607-08200  | NUT, SELF-LOCKING            | 1    |         |

**FIG. 10 CRANKCASE**



 BGJ1516-W100

| REF. NO. | PART NO.     | DESCRIPTION               | BFB2 | REMARKS |
|----------|--------------|---------------------------|------|---------|
| 1        | B1X-E5150-00 | CRANKCASE ASSY            | 1    | MBL2    |
| 2        | 90338-16262  | PLUG                      | 2    |         |
| 3        | 93210-12803  | O-RING                    | 2    |         |
| 4        | 1WD-E5148-00 | NOZZLE 2                  | 1    |         |
| 5        | 99530-10014  | PIN, DOWEL                | 2    |         |
| 6        | 90105-088F7  | BOLT, FLANGE              | 6    |         |
| 7        | 90105-088G0  | BOLT, FLANGE              | 2    |         |
| 8        | 95812-06035  | BOLT, FLANGE              | 2    |         |
| 9        | 95812-06045  | BOLT, FLANGE              | 6    |         |
| 10       | 95812-06065  | BOLT, FLANGE              | 5    |         |
| 11       | 95812-08070  | BOLT, FLANGE              | 1    |         |
| 12       | 90430-06014  | GASKET                    | 4    |         |
| 13       | 90340-27008  | PLUG, STRAIGHT SCREW      | 2    |         |
| 14       | 93210-32172  | O-RING                    | 2    |         |
| 15       | B1X-E5155-00 | NOZZLE 3                  | 1    |         |
| 16       | 90110-06161  | BOLT, HEXAGON SOCKET HEAD | 1    |         |
| 17       | 93210-068F7  | O-RING                    | 1    |         |

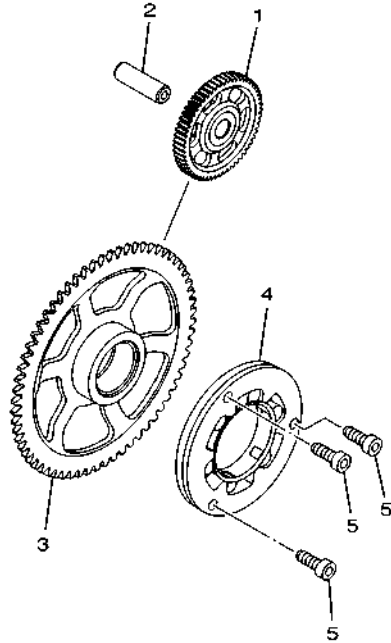


BGJ1516-W110

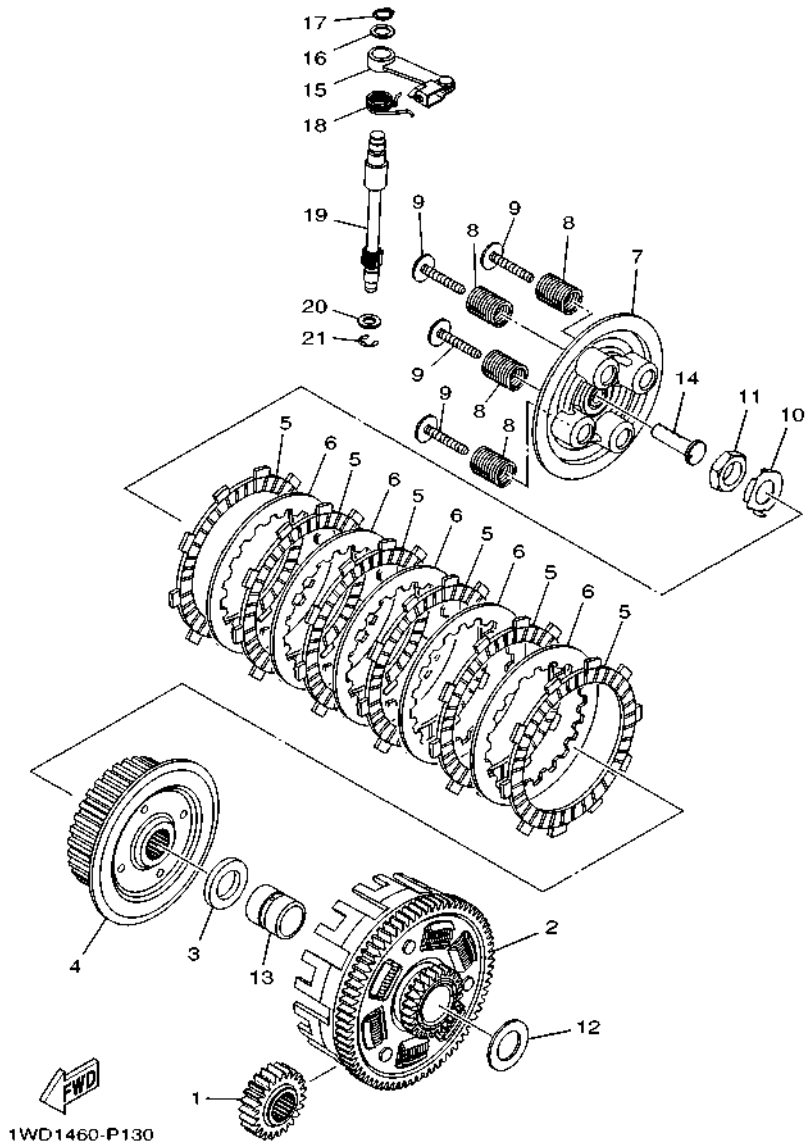
FIG. 11 CRANKCASE COVER 1

| REF. NO. | PART NO.     | DESCRIPTION               | BFB2 |  |  | REMARKS |
|----------|--------------|---------------------------|------|--|--|---------|
| 1        | 1WD-E5411-00 | COVER, CRANKCASE 1        | 1    |  |  | MBL2    |
| 2        | 90110-05032  | BOLT, HEXAGON SOCKET HEAD | 2    |  |  |         |
| 3        | 92014-08012  | BOLT, BUTTON HEAD         | 1    |  |  |         |
| 4        | 90430-08143  | GASKET                    | 1    |  |  |         |
| 5        | 90340-32819  | PLUG, STRAIGHT SCREW      | 1    |  |  |         |
| 6        | 93210-32816  | O-RING                    | 1    |  |  |         |
| 7        | 1WD-E5451-00 | GASKET, CRANKCASE COVER 1 | 1    |  |  |         |
| 8        | 99530-08012  | PIN, DOWEL                | 2    |  |  |         |
| 9        | 95022-06025  | BOLT, FLANGE              | 9    |  |  |         |
| 10       | 1WD-E5461-00 | GASKET, CRANKCASE COVER 2 | 1    |  |  |         |
| 11       | 99530-08012  | PIN, DOWEL                | 2    |  |  |         |
| 12       | 95022-06025  | BOLT, FLANGE              | 9    |  |  |         |
| 13       | 95022-06050  | BOLT, FLANGE              | 1    |  |  |         |
| 14       | 1WD-E5441-10 | HOLDER, CLUTCH CABLE      | 1    |  |  |         |
| 15       | 90110-06178  | BOLT, HEXAGON SOCKET HEAD | 2    |  |  |         |
| 16       | 1WD-E5413-10 | COVER                     | 1    |  |  |         |
| 17       | B1X-E5462-00 | GASKET, CRANKCASE COVER 3 | 1    |  |  |         |
| 18       | 95022-06025  | BOLT, FLANGE              | 8    |  |  |         |
| 19       | 90462-08819  | CLAMP                     | 1    |  |  |         |
| 20       | 90462-08806  | CLAMP                     | 1    |  |  |         |
| 21       | BS7-E5377-00 | GUIDE, INLET              | 1    |  |  |         |
| 22       | 1WD-E5418-00 | COVER, CHAIN CASE         | 1    |  |  |         |
| 23       | 95022-06025  | BOLT, FLANGE              | 2    |  |  |         |

**FIG. 12 STARTER CLUTCH**



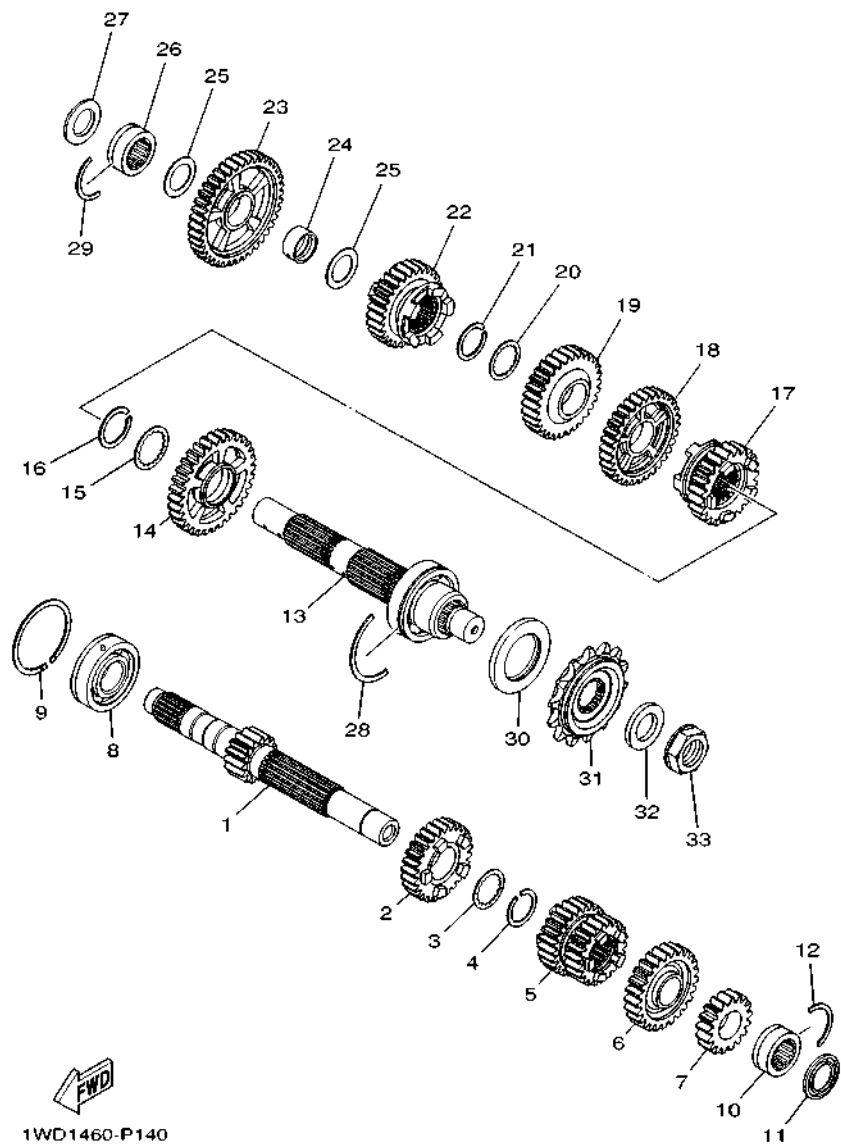
| REF. NO. | PART NO.     | DESCRIPTION               | BFB2 |  |  |  | REMARKS |
|----------|--------------|---------------------------|------|--|--|--|---------|
| 1        | 1WD-E5514-00 | GEAR 2                    | 1    |  |  |  |         |
| 2        | 44D-E5521-00 | SHAFT 1                   | 1    |  |  |  |         |
| 3        | 1WD-E5515-10 | GEAR 3                    | 1    |  |  |  |         |
| 4        | 1WD-E5580-00 | STARTER CLUTCH OUTER ASSY | 1    |  |  |  |         |
| 5        | 90110-06161  | BOLT, HEXAGON SOCKET HEAD | 3    |  |  |  |         |
| <hr/>    |              |                           |      |  |  |  |         |
| <hr/>    |              |                           |      |  |  |  |         |
| <hr/>    |              |                           |      |  |  |  |         |
| <hr/>    |              |                           |      |  |  |  |         |
| <hr/>    |              |                           |      |  |  |  |         |
| <hr/>    |              |                           |      |  |  |  |         |
| <hr/>    |              |                           |      |  |  |  |         |
| <hr/>    |              |                           |      |  |  |  |         |
| <hr/>    |              |                           |      |  |  |  |         |
| <hr/>    |              |                           |      |  |  |  |         |



**FIG. 13 CLUTCH**

| REF. NO. | PART NO.     | DESCRIPTION               | BFB2 | REMARKS |
|----------|--------------|---------------------------|------|---------|
| 1        | 1WD-E6111-00 | GEAR, PRIMARY DRIVE       | 1    |         |
| 2        | 1WD-E6150-00 | PRIMARY DRIVEN GEAR COMP. | 1    |         |
| 3        | 1WD-E6154-00 | PLATE, THRUST 1           | 1    |         |
| 4        | 1WD-E6371-00 | BOSS, CLUTCH              | 1    |         |
| 5        | 1WD-E6331-00 | PLATE, FRICTION 2         | 6    |         |
| 6        | 1WD-E6324-00 | PLATE, CLUTCH 1           | 5    |         |
| 7        | 1WD-E6350-01 | PRESSURE PLATE ASSY       | 1    |         |
| 8        | 1WD-E6333-10 | SPRING, CLUTCH 1          | 4    |         |
| 9        | 1WD-E6337-00 | SCREW, SPRING             | 4    |         |
| 10       | 90215-18800  | WASHER, LOCK              | 1    |         |
| 11       | 90170-18221  | NUT                       | 1    |         |
| 12       | 90201-22013  | WASHER, PLATE             | 1    |         |
| 13       | 1WD-E6181-00 | SPACER 1                  | 1    |         |
| 14       | 1WD-E6356-00 | ROD, PUSH 1               | 1    |         |
| 15       | 1WD-E6340-00 | PUSH LEVER ASSY           | 1    |         |
| 16       | 90201-10843  | WASHER, PLATE             | 1    |         |
| 17       | 99009-10400  | CIRCLIP                   | 1    |         |
| 18       | 90508-18136  | SPRING, TORSION           | 1    |         |
| 19       | 1WD-16382-00 | AXLE, PUSH LEVER          | 1    |         |
| 20       | 92902-08600  | WASHER, PLATE             | 1    |         |
| 21       | 99002-07600  | CIRCLIP(E)                | 1    |         |

**FIG. 14 TRANSMISSION**

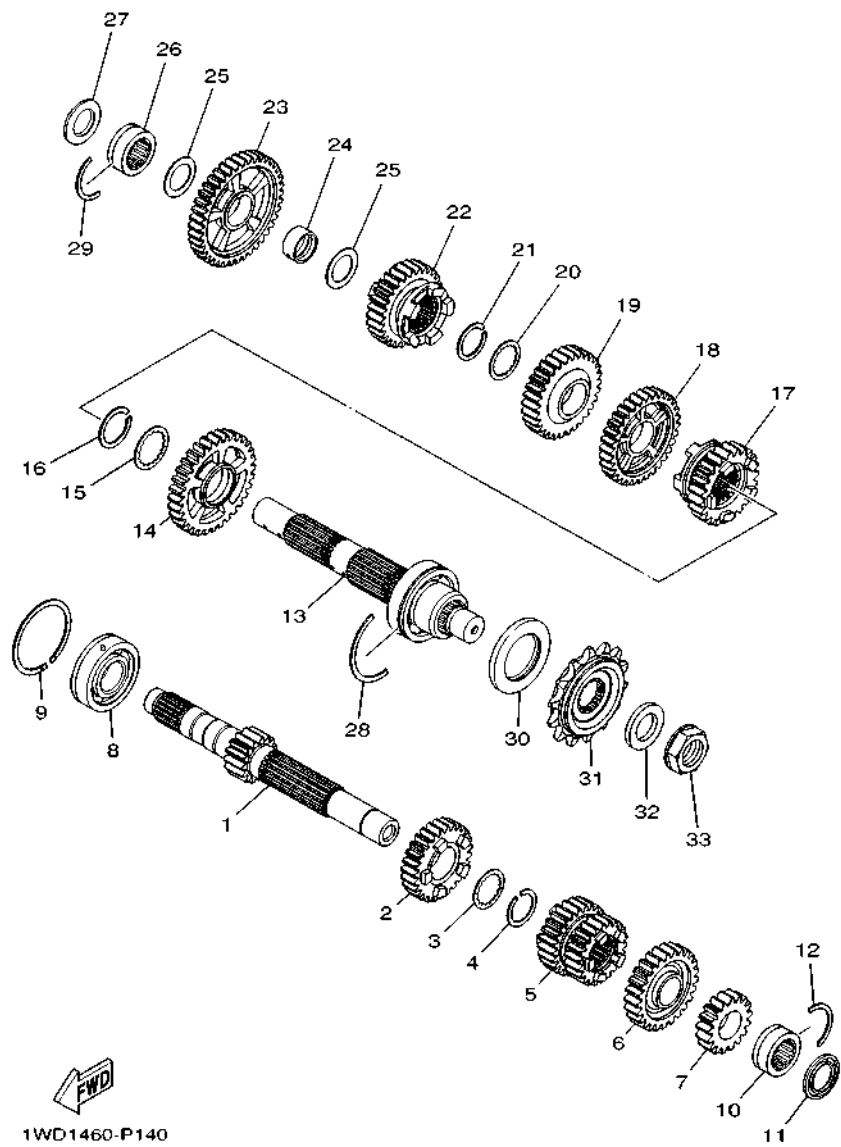


1WD1460-P140

| REF. NO. | PART NO.     | DESCRIPTION                | BFB2 | REMARKS           |
|----------|--------------|----------------------------|------|-------------------|
| 1        | 1WD-E7411-01 | AXLE, MAIN (15T)           | 1    | UR Either can use |
|          | 1WD-E7411-10 | AXLE, MAIN (15T)           | 1    | UR Either can use |
| 2        | 1WD-E7151-01 | GEAR, 5TH PINION (27T)     | 1    |                   |
| 3        | 90214-22008  | WASHER, CLAW               | 1    |                   |
| 4        | 93440-24200  | CIRCLIP                    | 1    |                   |
| 5        | 1WD-E7131-00 | GEAR, 3RD PINION (22T/25T) | 1    |                   |
| 6        | 1WD-E7161-01 | GEAR, 6TH PINION (25T)     | 1    |                   |
| 7        | 1WD-E7121-00 | GEAR, 2ND PINION (17T)     | 1    |                   |
| 8        | 93306-255Y9  | BEARING                    | 1    |                   |
| 9        | 93440-52009  | CIRCLIP                    | 1    |                   |
| 10       | 93311-420Y3  | BEARING                    | 1    |                   |
| 11       | 93101-20802  | OIL SEAL                   | 1    |                   |
| 12       | 278-17425-00 | CIRCLIP 2                  | 1    |                   |
| 13       | 1WD-E7402-00 | DRIVE AXLE ASSY            | 1    |                   |
| 14       | 1WD-E7221-00 | GEAR, 2ND WHEEL (32T)      | 1    |                   |
| 15       | 90209-25011  | WASHER                     | 1    |                   |
| 16       | 93440-28184  | CIRCLIP                    | 1    |                   |
| 17       | 1WD-E7261-00 | GEAR, 6TH WHEEL (23T)      | 1    |                   |
| 18       | 1WD-E7231-00 | GEAR, 3RD WHEEL (32T)      | 1    |                   |
| 19       | 1WD-E7241-00 | GEAR, 4TH WHEEL (30T)      | 1    |                   |
| 20       | 90214-22008  | WASHER, CLAW               | 1    |                   |
| 21       | 93440-24200  | CIRCLIP                    | 1    |                   |
| 22       | 1WD-E7251-00 | GEAR, 5TH WHEEL (28T)      | 1    |                   |
| 23       | 1WD-E7211-00 | GEAR, 1ST WHEEL (40T)      | 1    |                   |
| 24       | 90387-20814  | COLLAR                     | 1    |                   |
| 25       | 90201-20276  | WASHER, PLATE (T=1.0)      | 2    |                   |
| 26       | 93311-420Y3  | BEARING                    | 1    |                   |



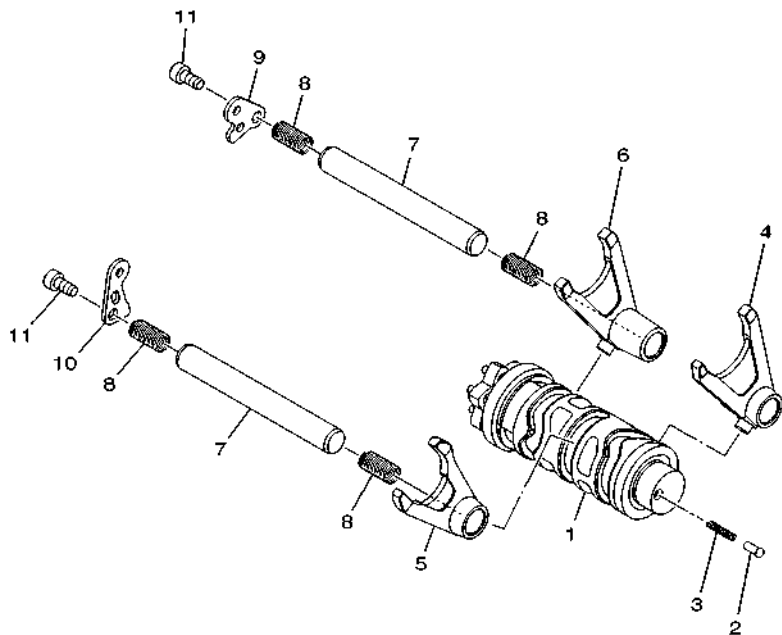
**FIG. 14 TRANSMISSION**



1WD1460-P140

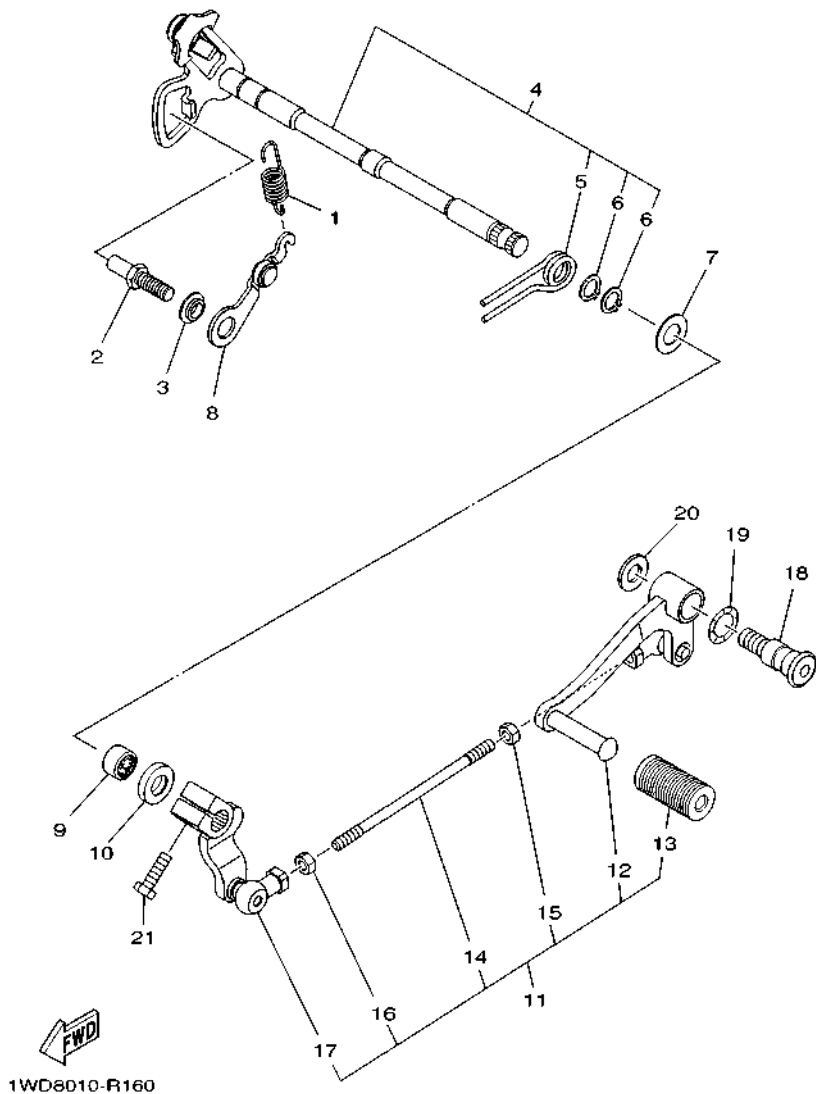
| REF. NO. | PART NO.     | DESCRIPTION           | BFB2 |  |  |  | REMARKS |
|----------|--------------|-----------------------|------|--|--|--|---------|
| 27       | 93101-20802  | OIL SEAL              | 1    |  |  |  |         |
| 28       | 1WD-17424-00 | CIRCLIP 1             | 1    |  |  |  |         |
| 29       | 278-17425-00 | CIRCLIP 2             | 1    |  |  |  |         |
| 30       | 93102-35808  | OIL SEAL              | 1    |  |  |  |         |
| 31       | 1WD-E7460-00 | SPROCKET, DRIVE (14T) | 1    |  |  |  |         |
| 32       | 90201-20023  | WASHER, PLATE         | 1    |  |  |  |         |
| 33       | 90179-20013  | NUT                   | 1    |  |  |  |         |

**FIG. 15 SHIFT CAM & FORK**

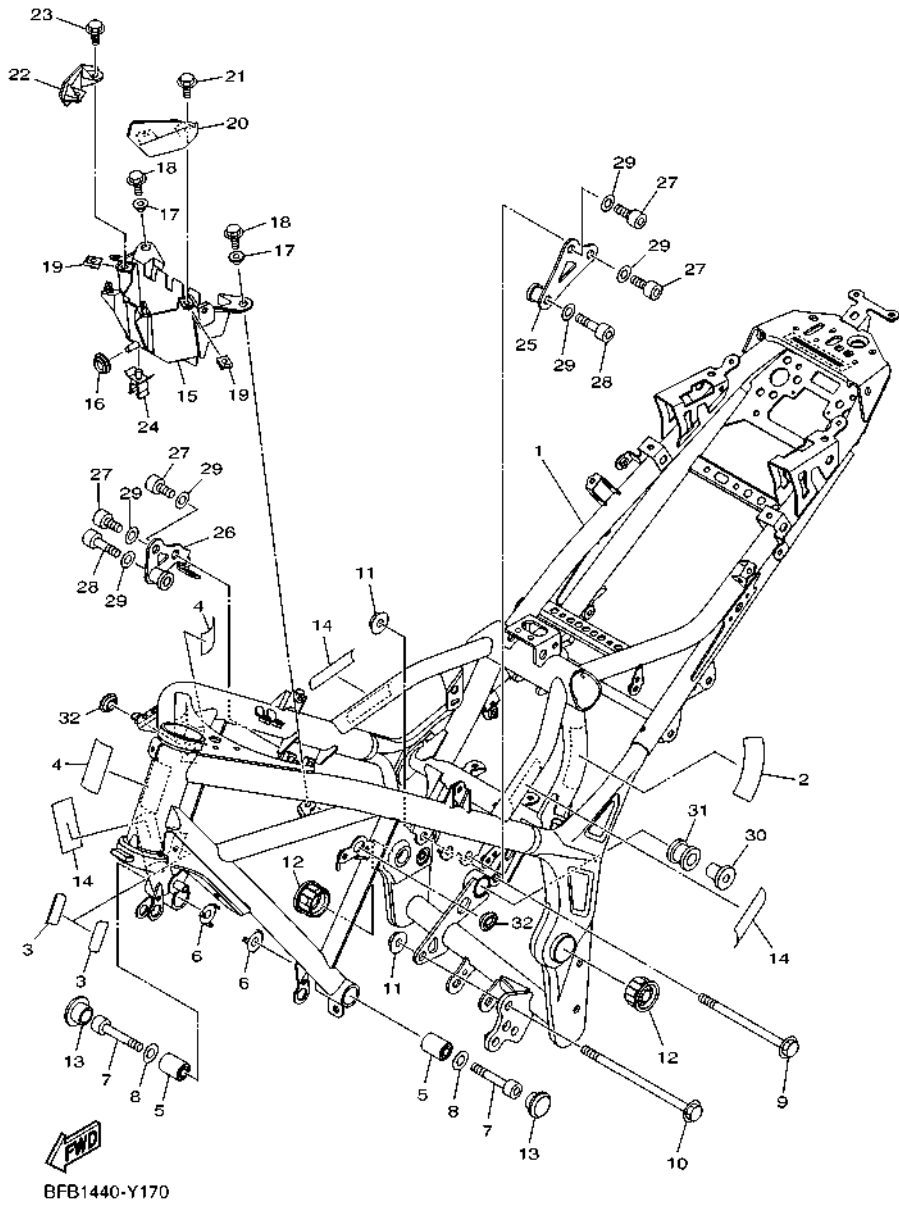


| REF. NO. | PART NO.     | DESCRIPTION               | BFB2 |  |  |  | REMARKS |
|----------|--------------|---------------------------|------|--|--|--|---------|
| 1        | 1WD-E8540-10 | SHIFT CAM ASSY            | 1    |  |  |  |         |
| 2        | 5TP-E8542-00 | POINT, NEUTRAL            | 1    |  |  |  |         |
| 3        | 90501-06022  | SPRING, COMPRESSION       | 1    |  |  |  |         |
| 4        | 1WD-E8511-00 | FORK, SHIFT 1             | 1    |  |  |  |         |
| 5        | 1WD-E8512-00 | FORK, SHIFT 2             | 1    |  |  |  |         |
| 6        | 1WD-E8513-00 | FORK, SHIFT 3             | 1    |  |  |  |         |
| 7        | 1WD-E8531-00 | BAR, SHIFT FORK GUIDE 1   | 2    |  |  |  |         |
| 8        | 90501-080A2  | SPRING, COMPRESSION       | 4    |  |  |  |         |
| 9        | 1WD-E8536-00 | STOPPER, SHIFT BAR        | 1    |  |  |  |         |
| 10       | 1WD-E8562-00 | PLATE, STOPPER 2          | 1    |  |  |  |         |
| 11       | 90110-06182  | BOLT, HEXAGON SOCKET HEAD | 2    |  |  |  |         |

**FIG. 16 SHIFT SHAFT**



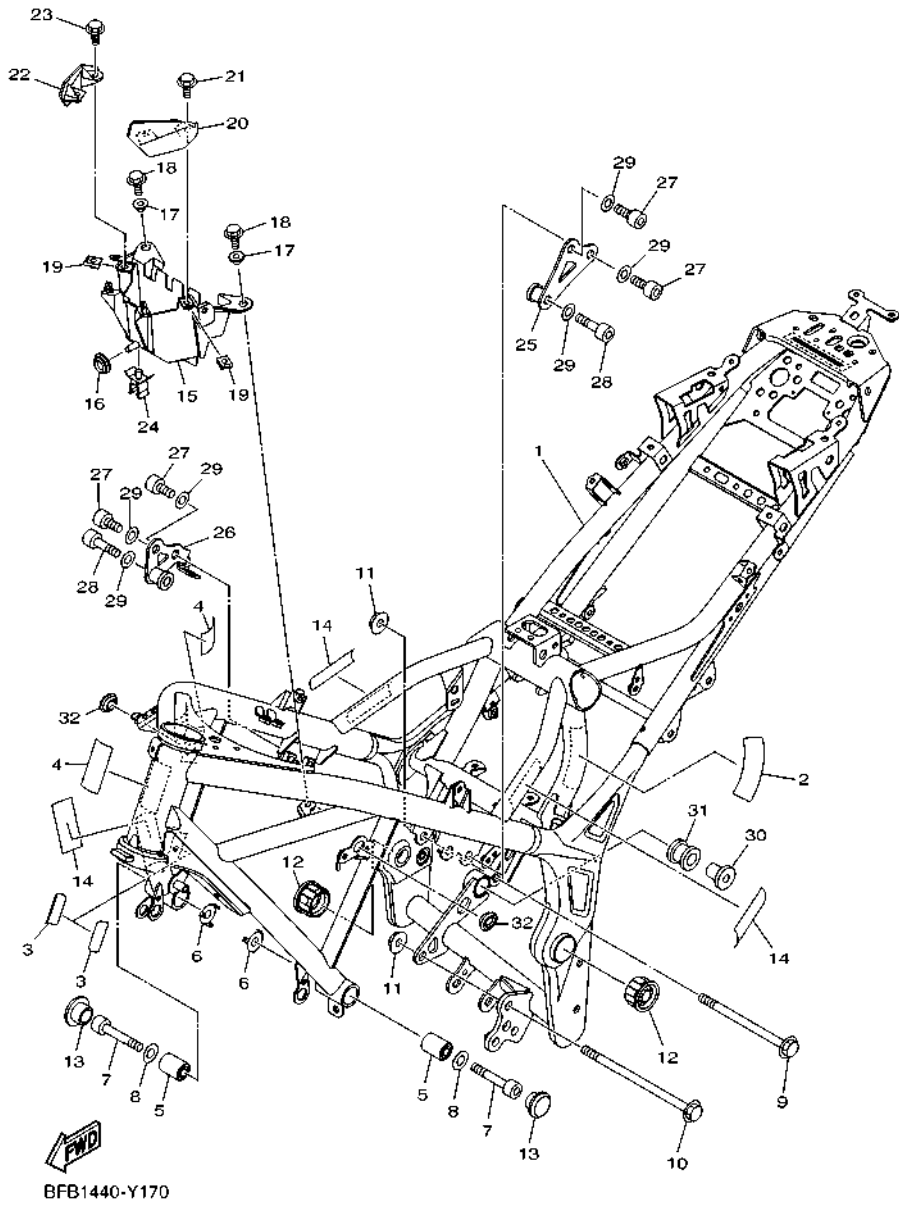
| REF. NO. | PART NO.     | DESCRIPTION         | BFB2 |  |  |  | REMARKS |
|----------|--------------|---------------------|------|--|--|--|---------|
| 1        | 1WD-E8337-00 | SPRING              | 1    |  |  |  |         |
| 2        | 1WD-E8127-10 | STOPPER, SCREW      | 1    |  |  |  |         |
| 3        | 1WD-E8175-00 | SPACER              | 1    |  |  |  |         |
| 4        | 1WD-E8101-00 | SHIFT SHAFT ASSY    | 1    |  |  |  |         |
| 5        | 90508-29806  | .SPRING, TORSION    | 1    |  |  |  |         |
| 6        | 99009-12400  | .CIRCLIP            | 2    |  |  |  |         |
| 7        | 90201-127E1  | WASHER, PLATE       | 1    |  |  |  |         |
| 8        | 1WD-E8140-01 | STOPPER LEVER ASSY  | 1    |  |  |  |         |
| 9        | 93317-11295  | BEARING             | 1    |  |  |  |         |
| 10       | 93102-12891  | OIL SEAL            | 1    |  |  |  |         |
| 11       | B1X-E8110-01 | SHIFT PEDAL ASSY    | 1    |  |  |  |         |
| 12       | 1WD-E8111-00 | .PEDAL, SHIFT       | 1    |  |  |  |         |
| 13       | 1EG-E8113-02 | .COVER, SHIFT PEDAL | 1    |  |  |  |         |
| 14       | 1WD-E8115-00 | .ROD, SHIFT         | 1    |  |  |  |         |
| 15       | 90170-06023  | .NUT                | 1    |  |  |  |         |
| 16       | 95302-06600  | .NUT, HEXAGON       | 1    |  |  |  |         |
| 17       | B1X-E8112-00 | .ARM, SHIFT         | 1    |  |  |  |         |
| 18       | BS8-F7261-00 | SHAFT               | 1    |  |  |  |         |
| 19       | 90206-14001  | WASHER, WAVE        | 1    |  |  |  |         |
| 20       | 90201-10021  | WASHER, PLATE       | 1    |  |  |  |         |
| 21       | 97012-06020  | BOLT                | 1    |  |  |  |         |



BFB1440-Y170

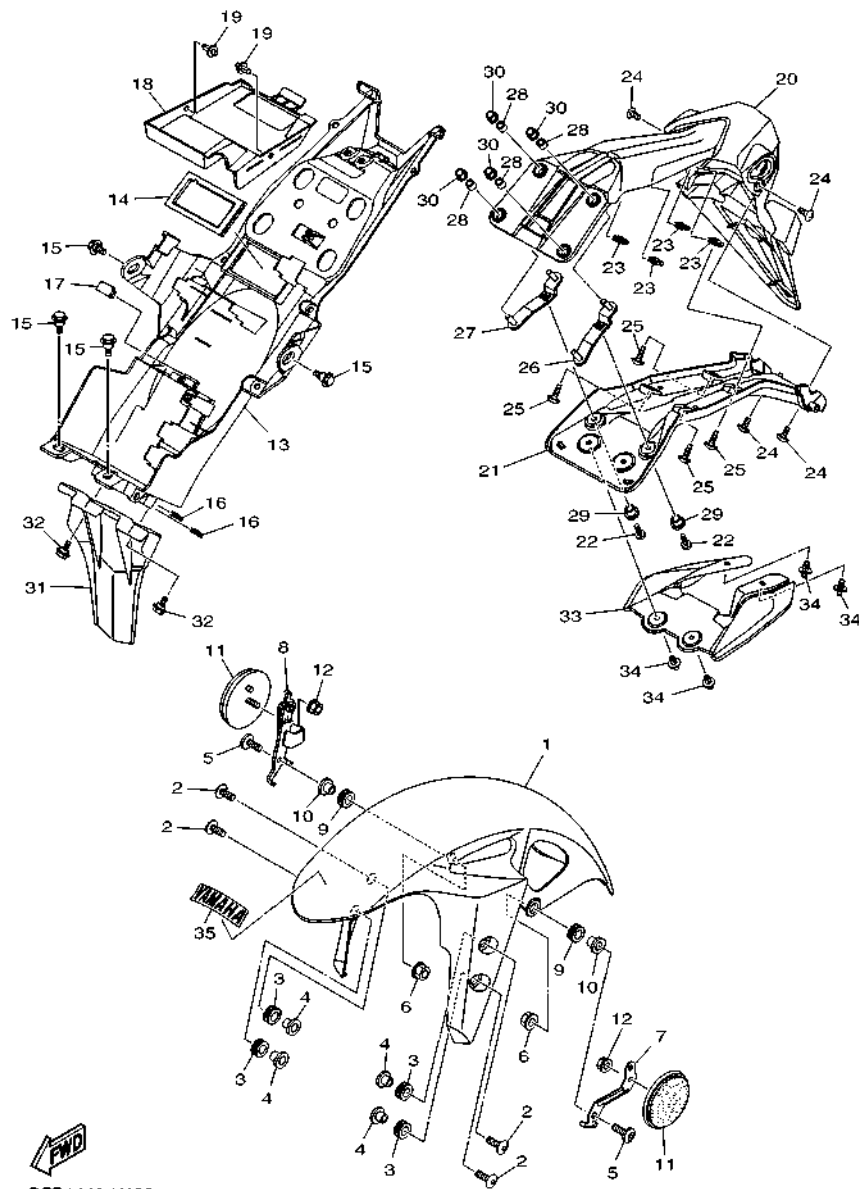
FIG. 17 FRAME

| REF. NO. | PART NO.        | DESCRIPTION               | BFB2 |  |  | REMARKS |
|----------|-----------------|---------------------------|------|--|--|---------|
| 1        | B04-F1110-01-P1 | FRAME COMP.               | 1    |  |  | MBL2    |
| 2        | 1WD-F1652-00    | PROTECTOR                 | 1    |  |  |         |
| 3        | 1WD-F193A-00    | PROTECTOR                 | 2    |  |  |         |
| 4        | 5D9-F414G-00    | SEAL                      | 2    |  |  |         |
| 5        | 90388-10816     | DAMPER                    | 2    |  |  |         |
| 6        | 1WD-F191B-00    | PLATE 1                   | 2    |  |  |         |
| 7        | 91317-10060     | BOLT, HEXAGON SOCKET HEAD | 2    |  |  |         |
| 8        | 90201-10854     | WASHER, PLATE             | 2    |  |  |         |
| 9        | 90105-10889     | BOLT, FLANGE              | 1    |  |  |         |
| 10       | 90105-10891     | BOLT, FLANGE              | 1    |  |  |         |
| 11       | 90179-10805     | NUT                       | 2    |  |  |         |
| 12       | 1WD-F135F-00    | COVER                     | 2    |  |  |         |
| 13       | 90338-23801     | PLUG                      | 2    |  |  |         |
| 14       | B04-F414G-00    | SEAL                      | 3    |  |  |         |
| 15       | 1WD-F1171-00    | BOX                       | 1    |  |  |         |
| 16       | 90480-13398     | GROMMET                   | 1    |  |  |         |
| 17       | 90387-07819     | COLLAR                    | 2    |  |  |         |
| 18       | 95022-06014     | BOLT, FLANGE              | 2    |  |  |         |
| 19       | 90183-06818     | NUT, SPRING               | 2    |  |  |         |
| 20       | BGJ-F117F-00    | COVER                     | 1    |  |  |         |
| 21       | 90119-06209     | BOLT, WITH WASHER         | 1    |  |  |         |
| 22       | BGJ-F117M-00    | COVER 2                   | 1    |  |  |         |
| 23       | 90119-06209     | BOLT, WITH WASHER         | 1    |  |  |         |
| 24       | 90464-12015     | CLAMP                     | 1    |  |  |         |
| 25       | B1X-F122A-00    | STAY 1                    | 1    |  |  |         |
| 26       | B04-F122B-00    | STAY 2                    | 1    |  |  |         |
| 27       | 91317-10020     | BOLT, HEXAGON SOCKET HEAD | 4    |  |  |         |



**FIG. 17 FRAME**

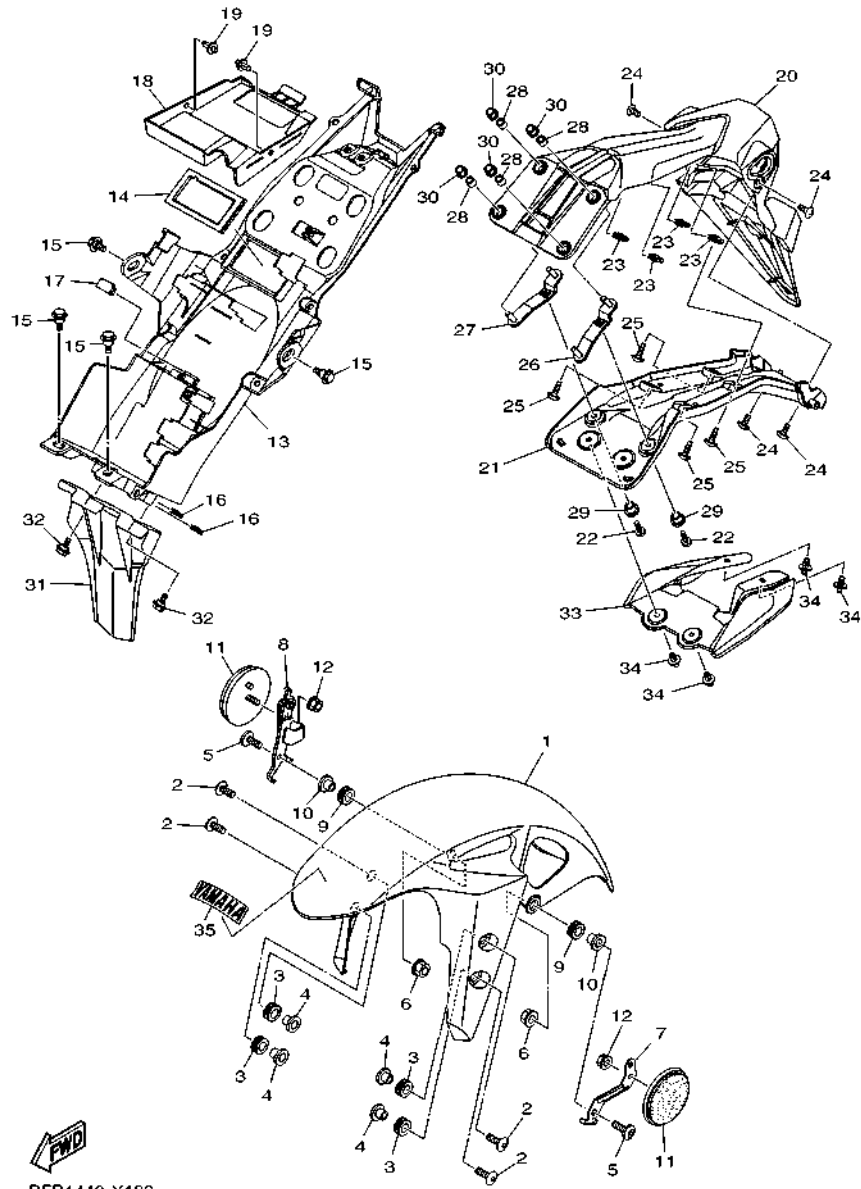
| REF. NO. | PART NO.     | DESCRIPTION               | BFB2 |  |  | REMARKS |
|----------|--------------|---------------------------|------|--|--|---------|
| 28       | 91317-10045  | BOLT, HEXAGON SOCKET HEAD | 2    |  |  |         |
| 29       | 92907-10600  | WASHER, PLATE             | 6    |  |  |         |
| 30       | 90387-08813  | COLLAR                    | 1    |  |  |         |
| 31       | 5TP-E4747-00 | DAMPER, MUFFLER           | 1    |  |  |         |
| 32       | 90480-01558  | GROMMET                   | 2    |  |  |         |
|          |              |                           |      |  |  |         |
|          |              |                           |      |  |  |         |
|          |              |                           |      |  |  |         |
|          |              |                           |      |  |  |         |
|          |              |                           |      |  |  |         |
|          |              |                           |      |  |  |         |
|          |              |                           |      |  |  |         |
|          |              |                           |      |  |  |         |
|          |              |                           |      |  |  |         |



BFB1440-Y180

FIG. 18 FENDER

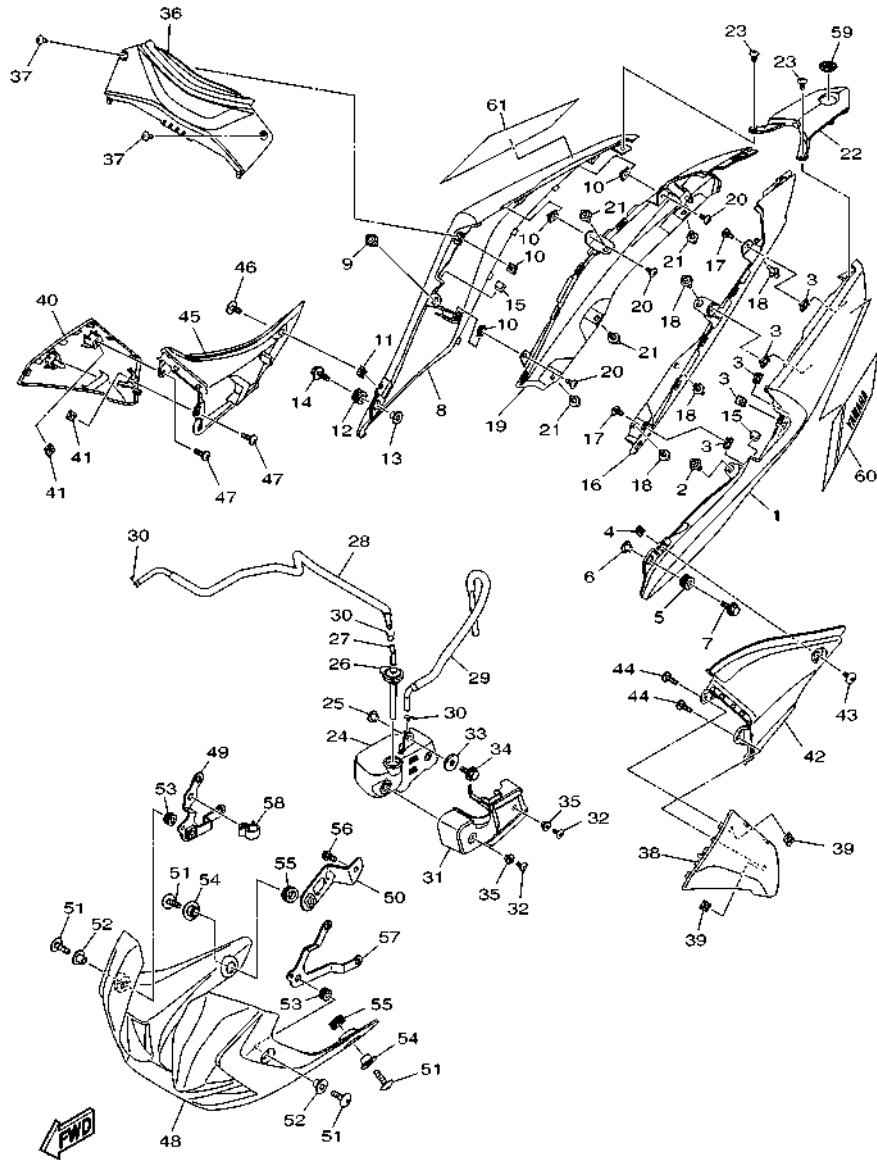
| REF. NO. | PART NO.        | DESCRIPTION                 | BFB2 | REMARKS      |
|----------|-----------------|-----------------------------|------|--------------|
| 1        | BS7-F1511-00-P4 | FENDER, FRONT               | 1    | UR FOR DBNM8 |
|          | BS7-F1511-00-P9 | FENDER, FRONT               | 1    | UR FOR MDNM8 |
| 2        | 90111-06137     | BOLT, HEXAGON SOCKET BUTTON | 4    |              |
| 3        | 90480-12808     | GROMMET                     | 4    |              |
| 4        | 90387-06899     | COLLAR                      | 4    |              |
| 5        | 90111-06847     | BOLT, HEXAGON SOCKET BUTTON | 2    |              |
| 6        | 95702-06500     | NUT, FLANGE                 | 2    |              |
| 7        | B5L-F113J-00    | BRACKET, REFLECTOR 1        | 1    |              |
| 8        | B5L-F113K-01    | BRACKET, REFLECTOR 2        | 1    |              |
| 9        | 90480-12808     | GROMMET                     | 2    |              |
| 10       | 90387-06899     | COLLAR                      | 2    |              |
| 11       | 2FC-H5111-00    | REFLECTOR, 1                | 2    |              |
| 12       | 95702-05500     | NUT, FLANGE                 | 2    |              |
| 13       | BR5-F1611-01    | FENDER, REAR                | 1    |              |
| 14       | 1WD-F1669-00    | SEAL                        | 1    |              |
| 15       | 90109-063F1     | BOLT                        | 4    |              |
| 16       | 90183-05076     | NUT, SPRING                 | 2    |              |
| 17       | 1WD-F16A2-00    | SEAL, 2                     | 1    |              |
| 18       | BR5-F163E-01    | COVER, REAR FENDER 2        | 1    |              |
| 19       | 90269-06816     | RIVET                       | 2    |              |
| 20       | B1X-F1629-00    | GUARD, MUD                  | 1    |              |
| 21       | 1WD-F1617-01    | BRACKET, FENDER             | 1    |              |
| 22       | 90111-05021     | BOLT, HEXAGON SOCKET BUTTON | 2    |              |
| 23       | 90183-050A7     | NUT, SPRING                 | 4    |              |
| 24       | 97707-50016     | SCREW, TRUSS HEAD TAPPING   | 4    |              |
| 25       | 90111-05018     | BOLT, HEXAGON SOCKET BUTTON | 4    |              |
| 26       | 1WD-F1688-00    | BRACKET, REAR STAY          | 1    |              |



BFB1440-Y180

FIG. 18 FENDER

| REF. NO. | PART NO.     | DESCRIPTION          | BFB2 |  |  | REMARKS      |
|----------|--------------|----------------------|------|--|--|--------------|
| 27       | 1WD-F1689-00 | BRACKET, REAR STAY 2 | 1    |  |  |              |
| 28       | 90387-066J9  | COLLAR               | 4    |  |  |              |
| 29       | 90387-068L9  | COLLAR               | 2    |  |  |              |
| 30       | 95602-06200  | NUT, SELF-LOCKING    | 4    |  |  |              |
| 31       | 1WD-F1621-01 | FLAP                 | 1    |  |  |              |
| 32       | 90109-05003  | BOLT                 | 2    |  |  |              |
| 33       | 1WD-F163A-00 | COVER, REAR FENDER 1 | 1    |  |  |              |
| 34       | 90269-06816  | RIVET                | 4    |  |  |              |
| 35       | 5BP-F153E-B1 | EMBLEM, YAMAHA       | 1    |  |  | UR FOR DBNM8 |
|          | 5BP-F153E-E1 | EMBLEM, YAMAHA       | 1    |  |  | UR FOR MDNM8 |

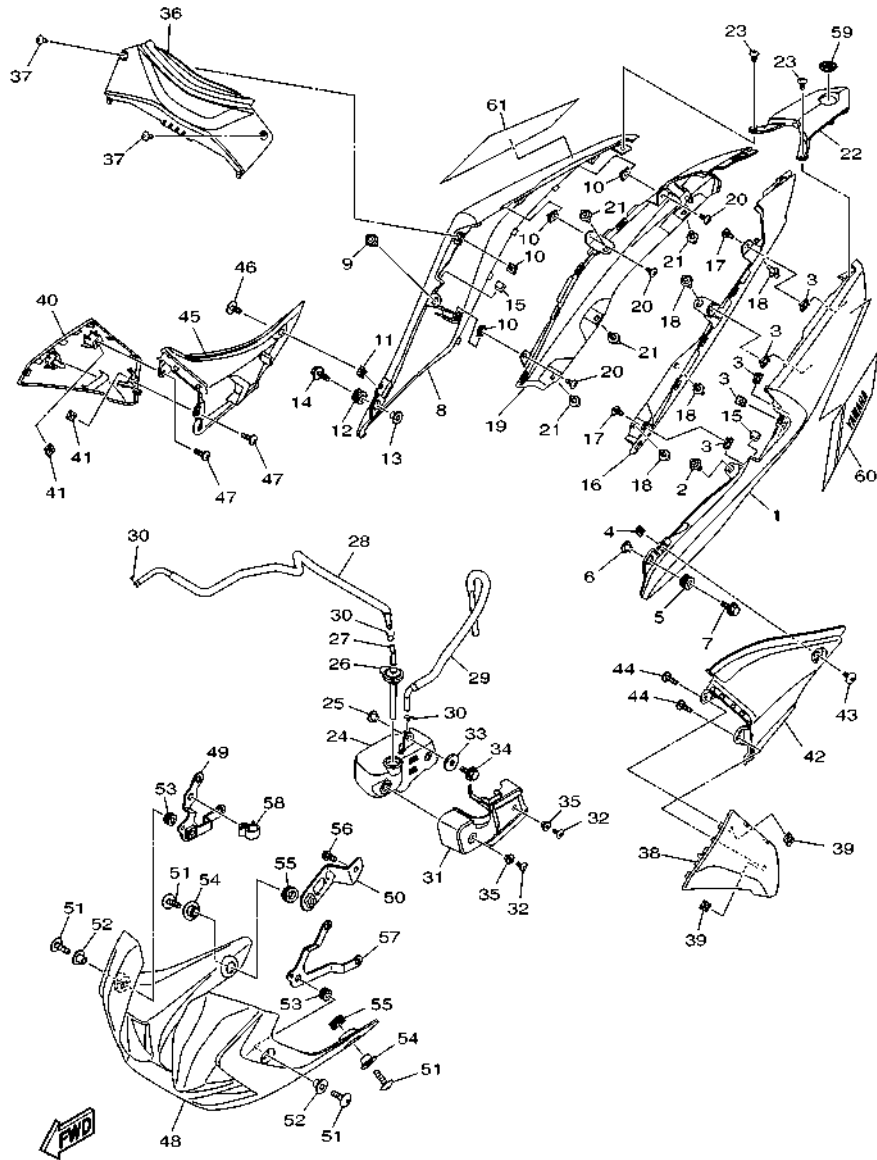


BFB1440-Y190

FIG. 19 SIDE COVER

| REF. NO. | PART NO.        | DESCRIPTION               | BFB2 | REMARKS      |
|----------|-----------------|---------------------------|------|--------------|
| 1        | 1WD-F1711-00-PE | COVER, SIDE 1             | 1    | UR FOR DBNM8 |
|          | 1WD-F1711-00-PC | COVER, SIDE 1             | 1    | UR FOR MDNM8 |
| 2        | 90269-06816     | RIVET                     | 1    |              |
| 3        | 90183-05807     | NUT, SPRING               | 5    |              |
| 4        | 90183-050A7     | NUT, SPRING               | 1    |              |
| 5        | 90480-12808     | GROMMET                   | 1    |              |
| 6        | 90387-06899     | COLLAR                    | 1    |              |
| 7        | 90119-06810     | BOLT, WITH WASHER         | 1    |              |
| 8        | 1WD-F1721-00-PE | COVER, SIDE 2             | 1    | UR FOR DBNM8 |
|          | 1WD-F1721-00-PC | COVER, SIDE 2             | 1    | UR FOR MDNM8 |
| 9        | 90269-06816     | RIVET                     | 1    |              |
| 10       | 90183-05807     | NUT, SPRING               | 4    |              |
| 11       | 90183-050A7     | NUT, SPRING               | 1    |              |
| 12       | 90480-12808     | GROMMET                   | 1    |              |
| 13       | 90387-06899     | COLLAR                    | 1    |              |
| 14       | 90119-06810     | BOLT, WITH WASHER         | 1    |              |
| 15       | 31B-F8307-00    | SEAL                      | 2    |              |
| 16       | 1WD-F171L-00    | MOLE, SIDE COVER 1        | 1    |              |
| 17       | 97707-50016     | SCREW, TRUSS HEAD TAPPING | 2    |              |
| 18       | 90269-06816     | RIVET                     | 4    |              |
| 19       | 1WD-F171M-00    | MOLE, SIDE COVER 2        | 1    |              |
| 20       | 97707-50016     | SCREW, TRUSS HEAD TAPPING | 3    |              |
| 21       | 90269-06816     | RIVET                     | 4    |              |
| 22       | 1WD-F171N-00    | MOLE, SIDE COVER 3        | 1    |              |
| 23       | 97707-50016     | SCREW, TRUSS HEAD TAPPING | 2    |              |
| 24       | 1WD-F1871-01    | TANK, RECOVERY            | 1    |              |
| 25       | 90387-06857     | COLLAR                    | 1    |              |

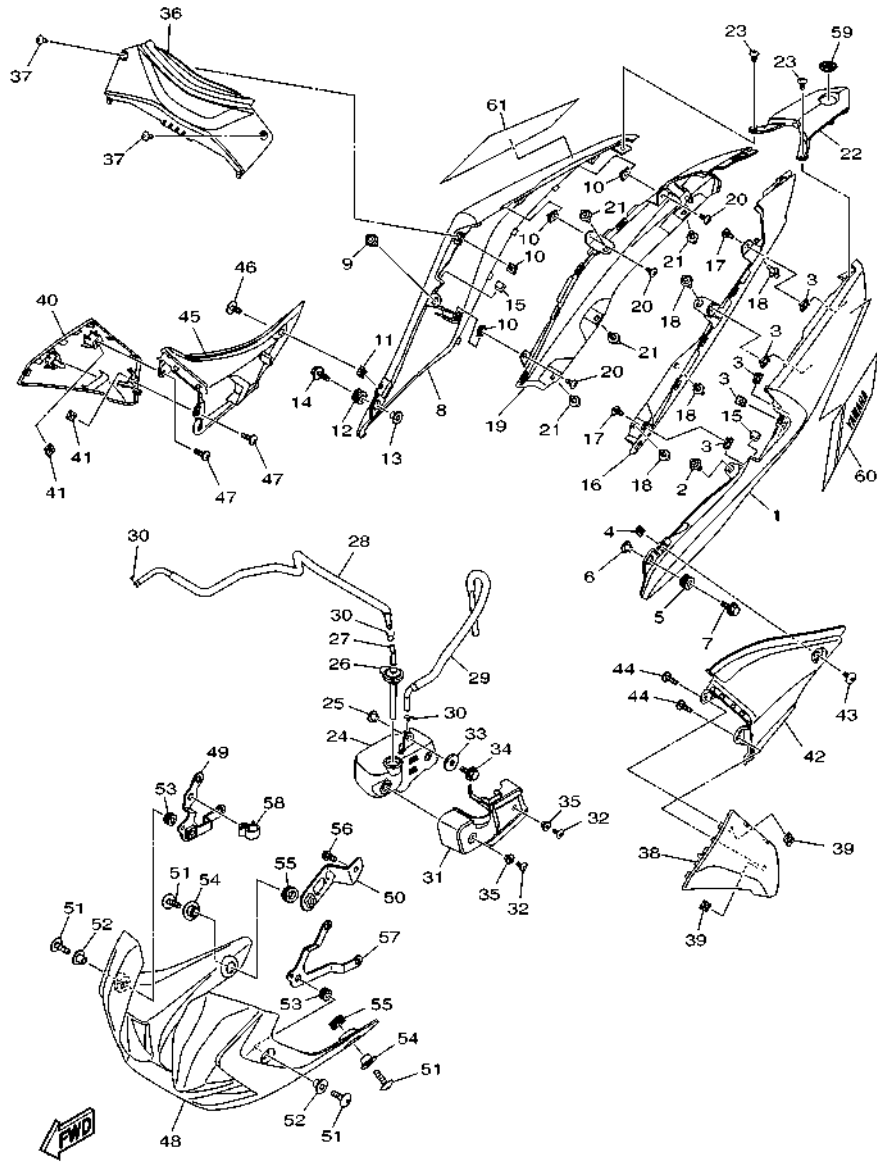




BFB1440-Y190

FIG. 19 SIDE COVER

| REF. NO. | PART NO.        | DESCRIPTION                 | BFB2 | REMARKS      |
|----------|-----------------|-----------------------------|------|--------------|
| 26       | 1WD-F1875-01    | CAP                         | 1    |              |
| 27       | 3C1-F1828-00    | ELBOW                       | 1    |              |
| 28       | 1WD-F1816-02    | PIPE 1                      | 1    |              |
| 29       | 1WD-F1817-02    | PIPE 2                      | 1    |              |
| 30       | 90467-08003     | CLIP                        | 3    |              |
| 31       | BS7-F172W-00    | COVER                       | 1    |              |
| 32       | 90111-05003     | BOLT, HEXAGON SOCKET BUTTON | 2    |              |
| 33       | 90201-06380     | WASHER PLAIN                | 1    |              |
| 34       | 95807-06014     | BOLT, FLANGE                | 1    |              |
| 35       | 90560-06244     | SPACER                      | 2    |              |
| 36       | 1WD-F1731-00-PC | COVER, SIDE 3               | 1    | UR FOR DBNM8 |
|          | 1WD-F1731-00-PA | COVER, SIDE 3               | 1    | UR FOR MDNM8 |
| 37       | 90160-05810     | SCREW, ROUND TAPPING        | 2    |              |
| 38       | B9T-F171E-00-P4 | COVER, SIDE 5               | 1    | UR FOR DBNM8 |
|          | B9T-F171E-00-P3 | COVER, SIDE 5               | 1    | UR FOR MDNM8 |
| 39       | 90183-05807     | NUT, SPRING                 | 2    |              |
| 40       | B9T-F171X-00-P4 | COVER, SIDE 6               | 1    | UR FOR DBNM8 |
|          | B9T-F171X-00-P3 | COVER, SIDE 6               | 1    | UR FOR MDNM8 |
| 41       | 90183-05807     | NUT, SPRING                 | 2    |              |
| 42       | B9T-F1716-00    | LID, SIDE COVER             | 1    |              |
| 43       | 90111-05003     | BOLT, HEXAGON SOCKET BUTTON | 1    |              |
| 44       | 97702-50016     | SCREW, TAPPING              | 2    |              |
| 45       | B9T-F1726-00    | LID, SIDE COVER 2           | 1    |              |
| 46       | 90111-05003     | BOLT, HEXAGON SOCKET BUTTON | 1    |              |
| 47       | 97702-50016     | SCREW, TAPPING              | 2    |              |
| 48       | BGJ-F8385-00-P0 | COVER, UNDER                | 1    | MDNM8        |
| 49       | BGJ-F833F-00    | BRACKET 9                   | 1    |              |

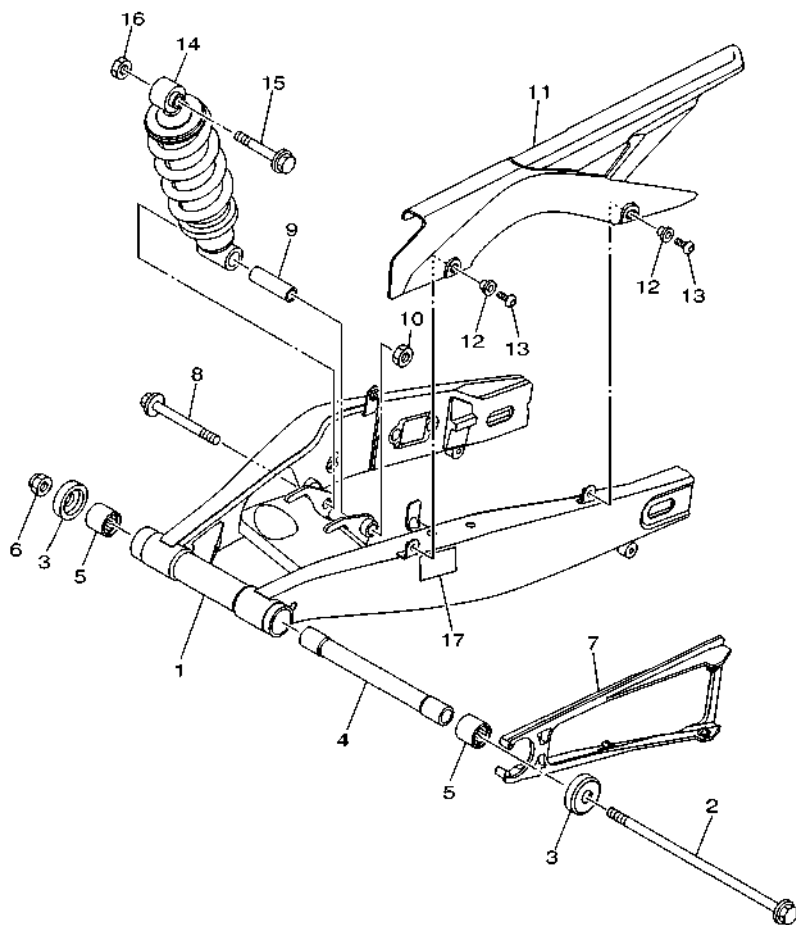


BFB1440-Y190

FIG. 19 SIDE COVER

| REF. NO. | PART NO.     | DESCRIPTION                 | BFB2 | REMARKS      |
|----------|--------------|-----------------------------|------|--------------|
| 50       | BGJ-F833G-00 | BRACKET 10                  | 1    |              |
| 51       | 90111-06117  | BOLT, HEXAGON SOCKET BUTTON | 4    |              |
| 52       | 90387-06899  | COLLAR                      | 2    |              |
| 53       | 90480-12808  | GROMMET                     | 2    |              |
| 54       | 90387-09801  | COLLAR                      | 2    |              |
| 55       | 90480-18418  | GROMMET                     | 2    |              |
| 56       | 95022-06012  | BOLT, FLANGE                | 1    |              |
| 57       | BGJ-F833E-00 | BRACKET 8                   | 1    |              |
| 58       | 90464-08008  | CLAMP                       | 1    |              |
| 59       | 1PA-F836B-01 | TUNING FORK MARK            | 1    |              |
| 60       | BEV-F173E-20 | GRAPHIC 1                   | 1    | UR FOR DBNM8 |
|          | B9T-F173E-50 | GRAPHIC 1                   | 1    | UR FOR MDNM8 |
| 61       | BEV-F173F-20 | GRAPHIC 2                   | 1    | UR FOR DBNM8 |
|          | B9T-F173F-50 | GRAPHIC 2                   | 1    | UR FOR MDNM8 |

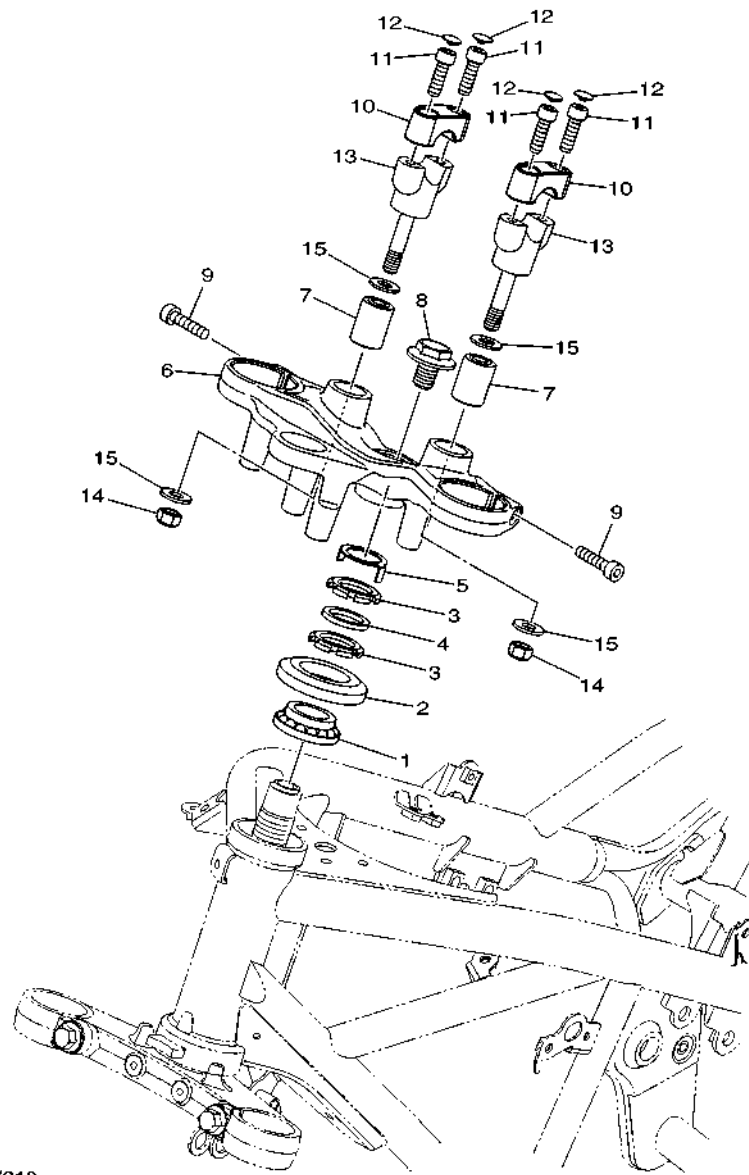
**FIG. 20 REAR ARM & SUSPENSION**



  
B041460-R200

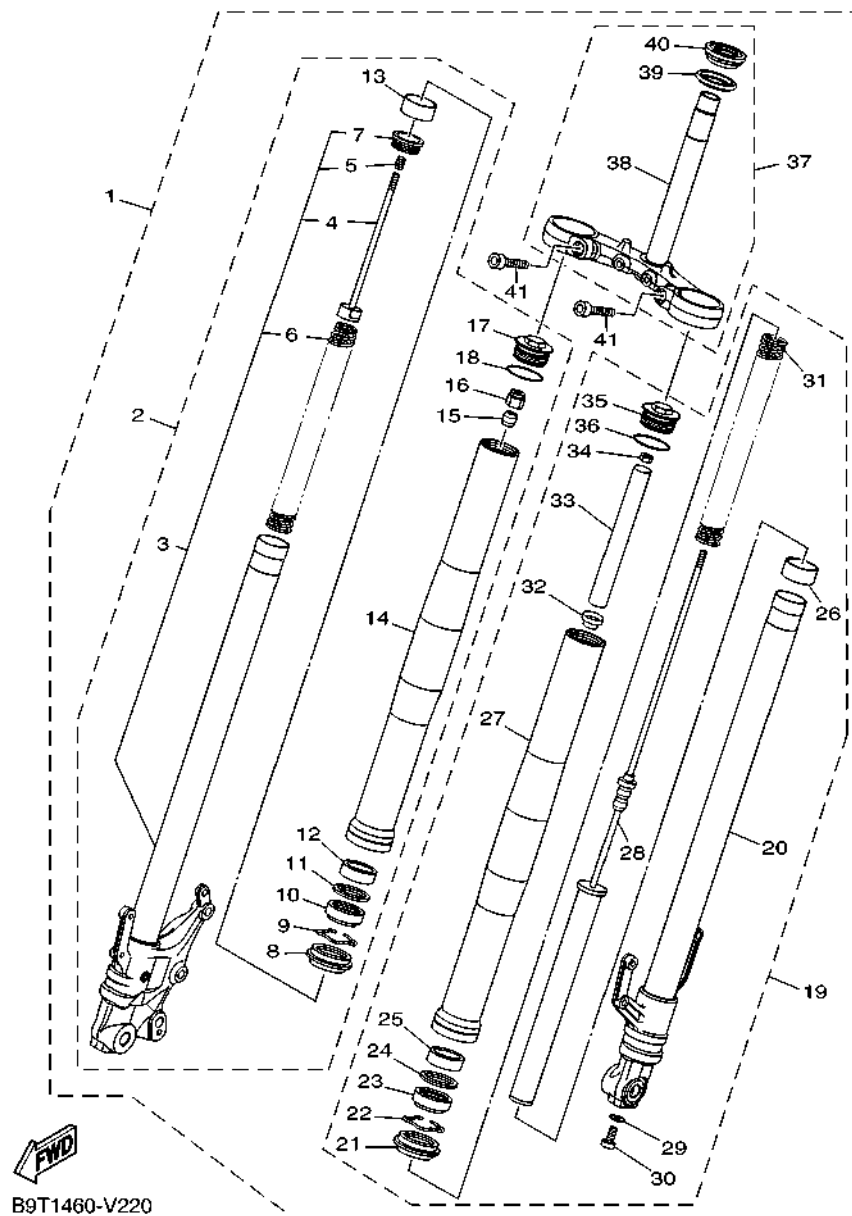
| REF. NO. | PART NO.     | DESCRIPTION                 | BFB2 |  |  |  | REMARKS |
|----------|--------------|-----------------------------|------|--|--|--|---------|
| 1        | 1WD-F2110-00 | REAR ARM COMP.              | 1    |  |  |  | MBL2    |
| 2        | 1WD-22141-00 | SHAFT, PIVOT                | 1    |  |  |  |         |
| 3        | 1WD-F2129-01 | COVER, THRUST 2             | 2    |  |  |  |         |
| 4        | 1WD-F2184-00 | BUSH                        | 1    |  |  |  |         |
| 5        | 93320-32403  | BEARING                     | 2    |  |  |  |         |
| 6        | 95602-14200  | NUT, SELF-LOCKING           | 1    |  |  |  |         |
| 7        | 1WD-F2151-00 | SEAL, GUARD                 | 1    |  |  |  |         |
| 8        | 90105-12309  | BOLT, FLANGE                | 1    |  |  |  |         |
| 9        | 1WD-F248B-00 | COLLAR, ROD 1               | 1    |  |  |  |         |
| 10       | 95602-12100  | NUT, U                      | 1    |  |  |  |         |
| 11       | 1WD-F2311-01 | CASE, CHAIN                 | 1    |  |  |  |         |
| 12       | 90387-06242  | COLLAR                      | 2    |  |  |  |         |
| 13       | 90111-06119  | BOLT, HEXAGON SOCKET BUTTON | 2    |  |  |  |         |
| 14       | BS7-F2210-20 | SHOCK ABSORBER ASSY, REAR   | 1    |  |  |  |         |
| 15       | 90105-12093  | BOLT, FLANGE                | 1    |  |  |  |         |
| 16       | 95602-12100  | NUT, U                      | 1    |  |  |  |         |
| 17       | B17-F1668-00 | LABEL, TIRE                 | 1    |  |  |  |         |

**FIG. 21 STEERING**



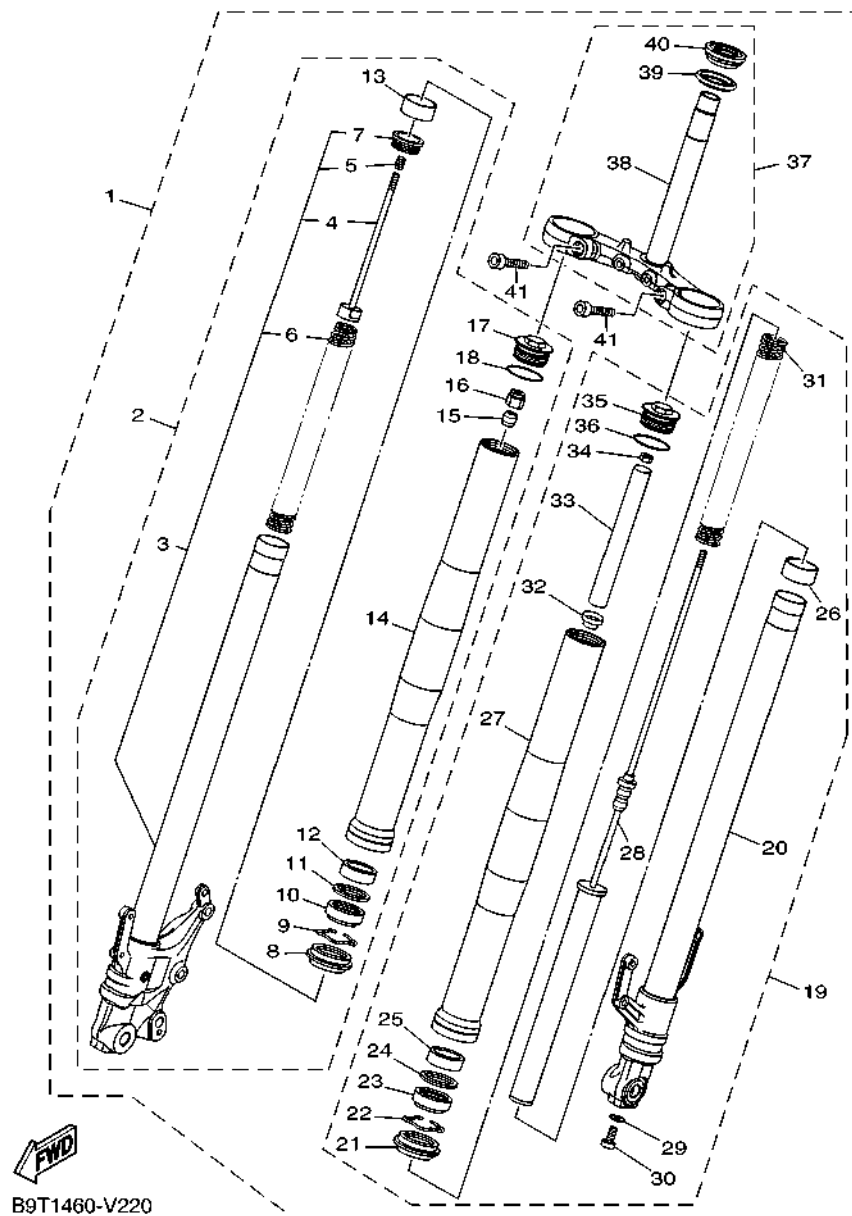
B9T1460-V210

| REF. NO. | PART NO.        | DESCRIPTION               | BFB2 |  |  |  | REMARKS |
|----------|-----------------|---------------------------|------|--|--|--|---------|
| 1        | 93399-999Y3     | BEARING                   | 1    |  |  |  |         |
| 2        | 5BP-F3416-10    | COVER, BALL RACE 2        | 1    |  |  |  |         |
| 3        | 90179-25615     | NUT                       | 2    |  |  |  |         |
| 4        | 90202-26142     | WASHER, PLATE             | 1    |  |  |  |         |
| 5        | 5BP-F3418-00    | WASHER, SPECIAL           | 1    |  |  |  |         |
| 6        | B9T-F3435-00    | CROWN, HANDLE             | 1    |  |  |  |         |
| 7        | 90388-10816     | DAMPER                    | 2    |  |  |  |         |
| 8        | 90105-14102     | BOLT, FLANGE              | 1    |  |  |  |         |
| 9        | 91317-08030     | BOLT, HEXAGON SOCKET HEAD | 2    |  |  |  |         |
| 10       | B04-F3441-00-P2 | HOLDER, HANDLE UPPER      | 2    |  |  |  | MBL2    |
| 11       | 91317-08025     | BOLT, HEXAGON SOCKET HEAD | 4    |  |  |  |         |
| 12       | 90338-06810     | PLUG                      | 4    |  |  |  |         |
| 13       | B9T-F3442-00    | HOLDER, HANDLE LOWER      | 2    |  |  |  |         |
| 14       | 95607-10100     | NUT, U                    | 2    |  |  |  |         |
| 15       | 90201-10074     | WASHER, PLATE             | 4    |  |  |  |         |



**FIG. 22 FRONT FORK**

| REF. NO. | PART NO.     | DESCRIPTION            | BFB2 |  |  |  | REMARKS |
|----------|--------------|------------------------|------|--|--|--|---------|
| 1        | B9T-F3100-10 | FRONT FORK ASSY        | 1    |  |  |  |         |
| 2        | B9T-F3103-10 | .DAMPER ASSY. (R)      | 1    |  |  |  |         |
| 3        | B9T-F3120-10 | ..INNER TUBE COMP.2    | 1    |  |  |  |         |
| 4        | BK6-F330G-00 | ...ROD COMP.           | 1    |  |  |  |         |
| 5        | 3AH-22222-00 | ...SPRING 2            | 1    |  |  |  |         |
| 6        | B9T-F3141-00 | ...SPRING, FRONT FORK  | 1    |  |  |  |         |
| 7        | BK6-F319U-00 | ...CAP                 | 1    |  |  |  |         |
| 8        | B48-F3144-00 | ..SEAL, DUST           | 1    |  |  |  |         |
| 9        | 3R4-23153-00 | ..RING, SNAP           | 1    |  |  |  |         |
| 10       | BK6-F3145-00 | ..OIL SEAL             | 1    |  |  |  |         |
| 11       | 31A-23149-31 | ..WASHER, SPRING UPPER | 1    |  |  |  |         |
| 12       | 31A-23125-31 | ..METAL, SLIDE 1       | 1    |  |  |  |         |
| 13       | BK6-F3171-00 | ..PISTON, FRONT FORK   | 1    |  |  |  |         |
| 14       | B9T-F3126-00 | ..TUBE, OUTER          | 1    |  |  |  |         |
| 15       | BK6-F332K-00 | ..BUMP, STOP           | 1    |  |  |  |         |
| 16       | BK6-F3393-00 | ..NUT, SPECIAL         | 1    |  |  |  |         |
| 17       | BS7-F3111-00 | ..BOLT, CAP            | 1    |  |  |  |         |
| 18       | 4V4-23188-L0 | ..O-RING               | 1    |  |  |  |         |
| 19       | B9T-F3102-00 | .DAMPER ASSY. (L)      | 1    |  |  |  |         |
| 20       | BS7-F3110-00 | ..INNER TUBE COMP.1    | 1    |  |  |  |         |
| 21       | B48-F3144-00 | ..SEAL, DUST           | 1    |  |  |  |         |
| 22       | 3R4-23153-00 | ..RING, SNAP           | 1    |  |  |  |         |
| 23       | BK6-F3145-00 | ..OIL SEAL             | 1    |  |  |  |         |
| 24       | 31A-23149-31 | ..WASHER, SPRING UPPER | 1    |  |  |  |         |
| 25       | 31A-23125-31 | ..METAL, SLIDE 1       | 1    |  |  |  |         |
| 26       | BK6-F3171-00 | ..PISTON, FRONT FORK   | 1    |  |  |  |         |
| 27       | B9T-F3126-00 | ..TUBE, OUTER          | 1    |  |  |  |         |

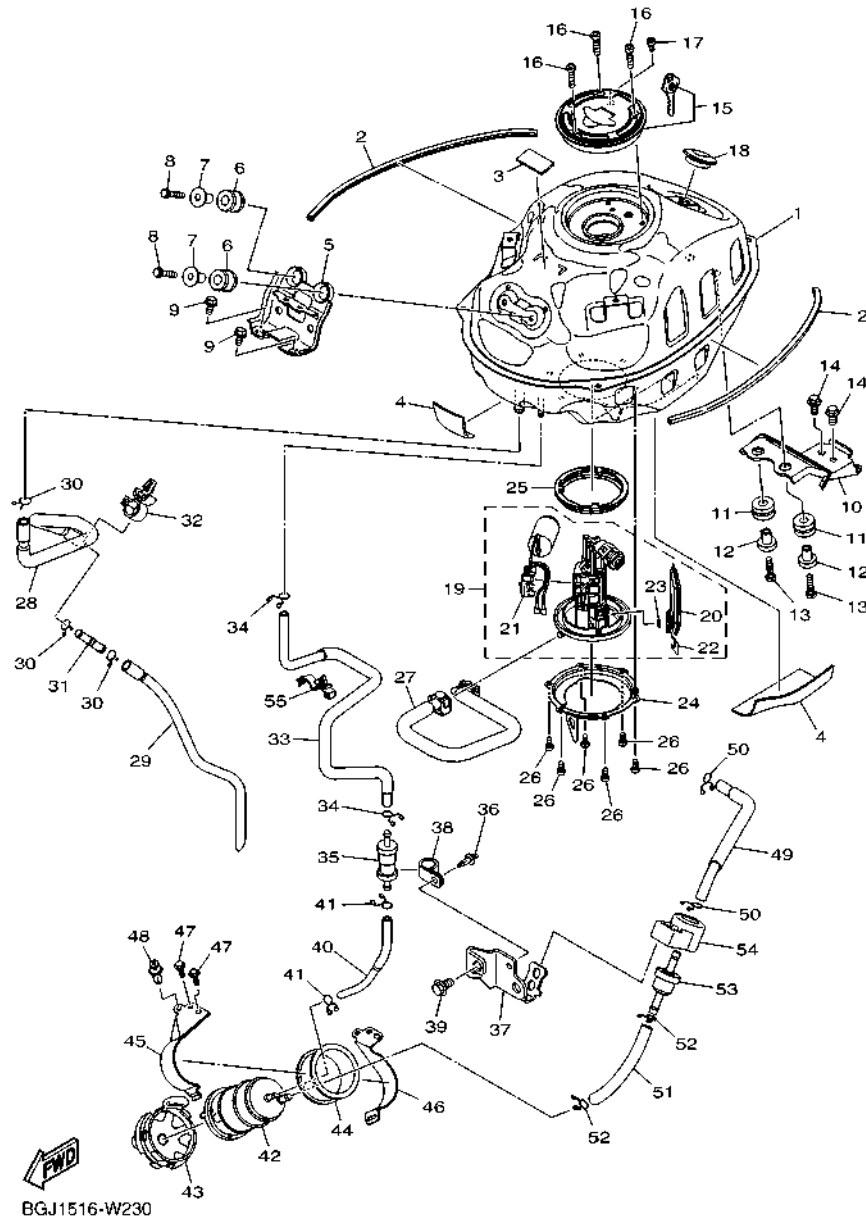


B9T1460-V220

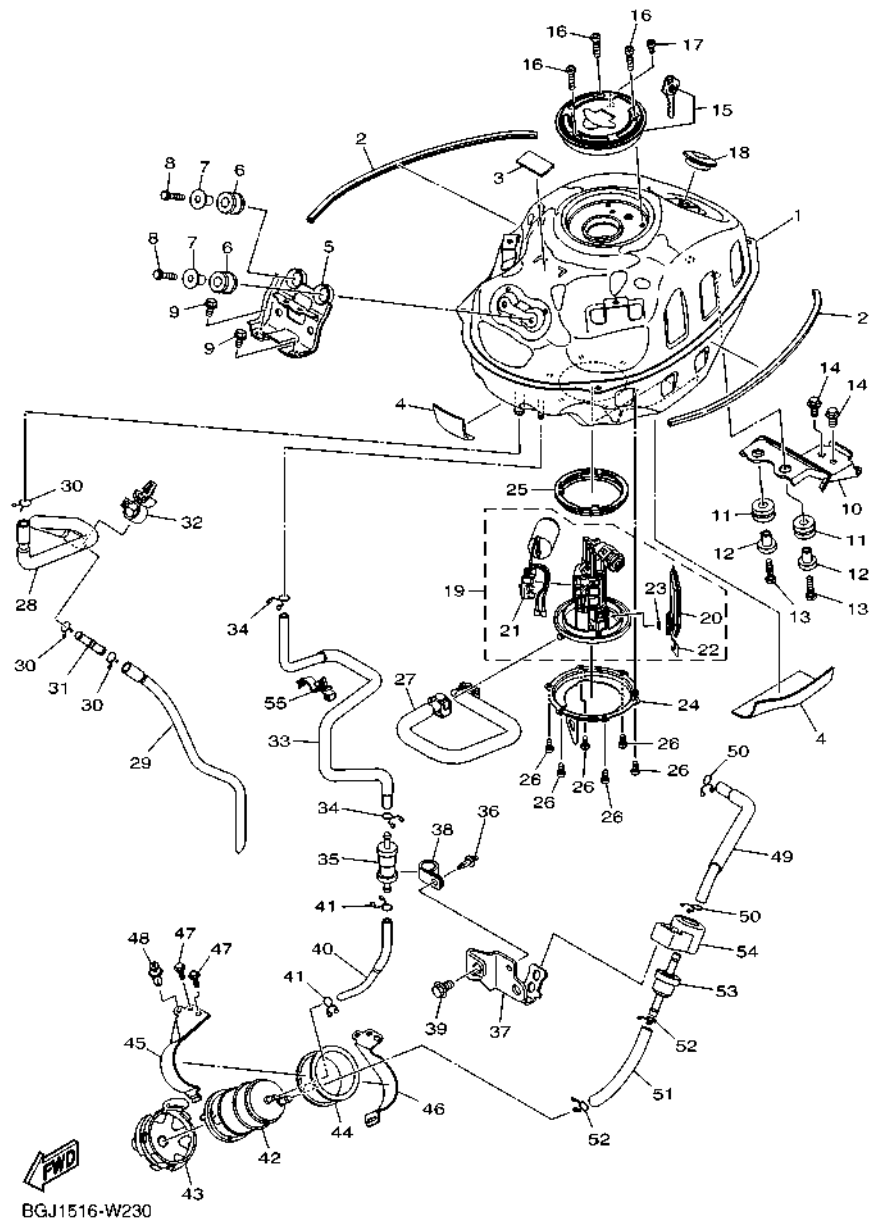
FIG. 22 FRONT FORK

| REF. NO. | PART NO.     | DESCRIPTION                  | BFB2 | REMARKS |
|----------|--------------|------------------------------|------|---------|
| 28       | B9T-F3170-00 | ..CYLINDER COMP., FRONT FORK | 1    |         |
| 29       | 2BU-F3158-00 | ..GASKET                     | 1    |         |
| 30       | 31B-F3181-00 | ..BOLT, HEXAGON SOCKET HEAD  | 1    |         |
| 31       | B9T-F3141-00 | ..SPRING, FRONT FORK         | 1    |         |
| 32       | BK6-F3117-00 | ..GUIDE, SPRING              | 1    |         |
| 33       | BS7-F3118-00 | ..SPACER                     | 1    |         |
| 34       | BK6-F3357-00 | ..NUT                        | 1    |         |
| 35       | BS7-F3111-00 | ..BOLT, CAP                  | 1    |         |
| 36       | 4V4-23188-L0 | ..O-RING                     | 1    |         |
| 37       | BS7-F334M-00 | ..UNDER BRACKET ASSY.        | 1    |         |
| 38       | BS7-F3340-00 | ..UNDER BRACKET COMP.        | 1    |         |
| 39       | 3FV-23462-00 | ..SEAL, STEERING             | 1    |         |
| 40       | 93399-99932  | ..BEARING                    | 1    |         |
| 41       | 91317-10040  | ..BOLT, HEXAGON SOCKET HEAD  | 2    |         |

**FIG. 23 FUEL TANK**



| REF. NO. | PART NO.     | DESCRIPTION               | BFB2 | REMARKS |
|----------|--------------|---------------------------|------|---------|
| 1        | BS7-F4110-00 | FUEL TANK COMP.           | 1    |         |
| 2        | BS7-F4188-00 | MOLD, FUEL TANK           | 2    |         |
| 3        | 5D9-H2126-00 | PAD, BATTERY              | 1    |         |
| 4        | 90520-02843  | DAMPER, PLATE             | 2    |         |
| 5        | B9T-F412Y-00 | BRACKET, TANK FITTING     | 1    |         |
| 6        | 90480-18813  | GROMMET                   | 2    |         |
| 7        | 90387-068M3  | COLLAR                    | 2    |         |
| 8        | 97022-06030  | BOLT, HEXAGON             | 2    |         |
| 9        | 95817-06012  | BOLT, FLANGE              | 2    |         |
| 10       | BS7-F4191-01 | BRACKET, FUEL TANK 1      | 1    |         |
| 11       | 90480-15807  | GROMMET                   | 2    |         |
| 12       | 90387-068S8  | COLLAR                    | 2    |         |
| 13       | 97022-06030  | BOLT, HEXAGON             | 2    |         |
| 14       | 95022-08014  | BOLT, FLANGE              | 2    |         |
| 15       | BS7-WF461-00 | CAP ASSY WITH LOCK        | 1    |         |
| 16       | 90110-05806  | BOLT, HEXAGON SOCKET HEAD | 3    |         |
| 17       | 91312-05010  | BOLT, HEXAGON SOCKET HEAD | 1    |         |
| 18       | 90480-01806  | GROMMET                   | 1    |         |
| 19       | BS7-E3907-01 | FUEL PUMP COMP.           | 1    |         |
| 20       | 3C1-E3915-00 | .FILTER                   | 1    |         |
| 21       | BS7-H5752-00 | .SENDER                   | 1    |         |
| 22       | 3C1-F4519-00 | .CLIP                     | 1    |         |
| 23       | 3C1-24512-00 | .GASKET                   | 1    |         |
| 24       | BS7-F4491-00 | BRACKET, FUEL PUMP        | 1    |         |
| 25       | 3C1-F4486-00 | O-RING                    | 1    |         |
| 26       | 91312-05010  | BOLT, HEXAGON SOCKET HEAD | 6    |         |
| 27       | 1WD-E3971-02 | PIPE, FUEL 1              | 1    |         |

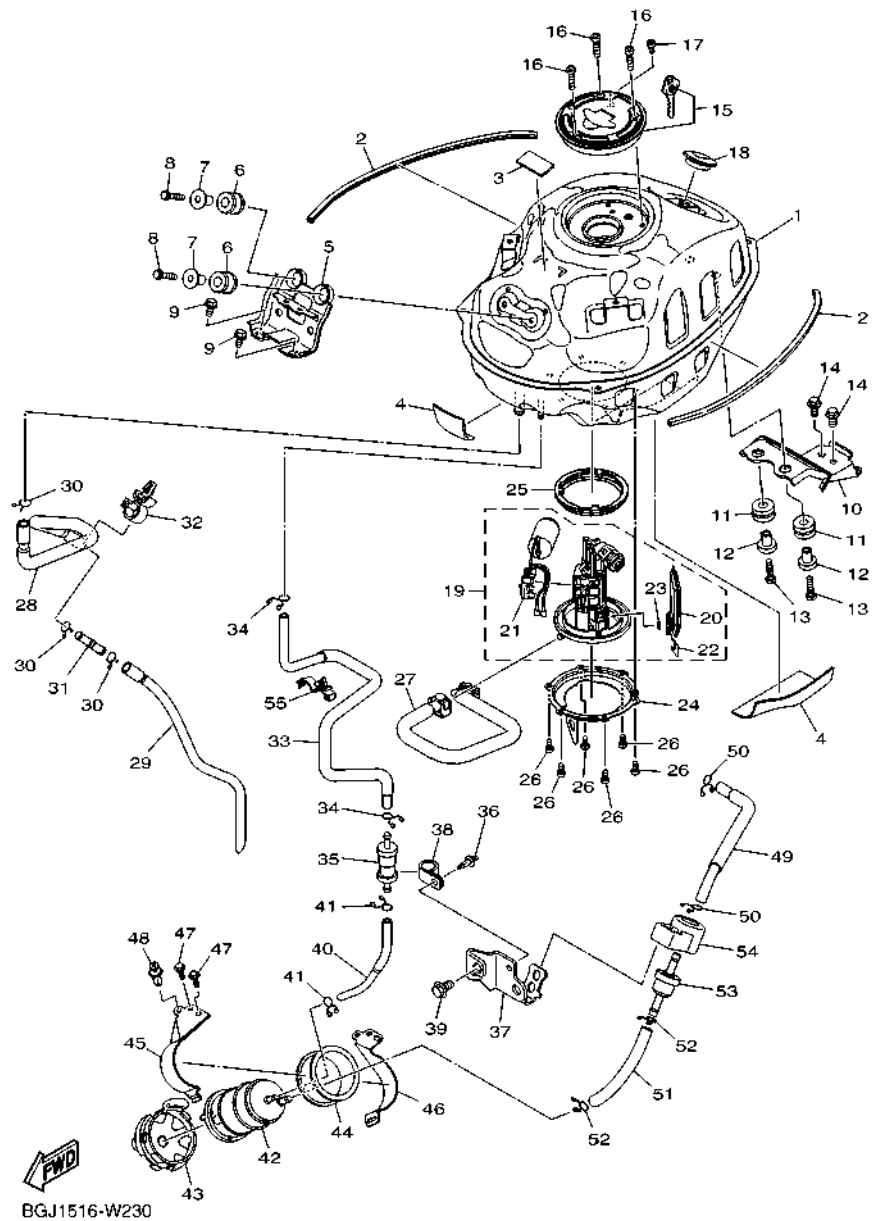


**FIG. 23 FUEL TANK**

| REF. NO. | PART NO.     | DESCRIPTION          | BFB2 |  |  | REMARKS |
|----------|--------------|----------------------|------|--|--|---------|
| 28       | 1WD-F4312-01 | PIPE 2               | 1    |  |  |         |
| 29       | B9T-F4314-00 | PIPE 4               | 1    |  |  |         |
| 30       | 90467-15012  | CLIP                 | 3    |  |  |         |
| 31       | 1WD-F4376-00 | PIPE, JOINT 1        | 1    |  |  |         |
| 32       | 90464-16012  | CLAMP                | 1    |  |  |         |
| 33       | 2MS-F4314-01 | PIPE 4               | 1    |  |  |         |
| 34       | 90467-09006  | CLIP                 | 2    |  |  |         |
| 35       | 1DW-F4180-02 | ROLL OVER VALVE ASSY | 1    |  |  |         |
| 36       | 90269-05008  | RIVET                | 1    |  |  |         |
| 37       | B1X-F419F-00 | BRACKET, CANISTOR    | 1    |  |  |         |
| 38       | 90464-15014  | CLAMP                | 1    |  |  |         |
| 39       | 95027-08012  | BOLT, FLANGE         | 1    |  |  |         |
| 40       | 2MS-F4315-00 | PIPE 5               | 1    |  |  |         |
| 41       | 90467-09006  | CLIP                 | 2    |  |  |         |
| 42       | 2MS-F4170-00 | CANISTER ASSY        | 1    |  |  |         |
| 43       | B1X-F419E-00 | COVER, CANISTER      | 1    |  |  |         |
| 44       | 2MS-F483H-00 | BAND                 | 1    |  |  |         |
| 45       | 2MS-F115R-00 | BRACKET, CANISTER    | 1    |  |  |         |
| 46       | 2MS-F134X-00 | BRACKET, CANISTER    | 1    |  |  |         |
| 47       | 95027-06016  | BOLT, FLANGE         | 2    |  |  |         |
| 48       | 90269-06816  | RIVET                | 1    |  |  |         |
| 49       | B1X-F4316-00 | PIPE 6               | 1    |  |  |         |
| 50       | 90467-09006  | CLIP                 | 2    |  |  |         |
| 51       | B1X-F4317-00 | PIPE 7               | 1    |  |  |         |
| 52       | 90467-11009  | CLIP                 | 2    |  |  |         |
| 53       | B1X-F4421-00 | VALVE, CHECK         | 1    |  |  |         |
| 54       | B1X-F419A-00 | HOLDER               | 1    |  |  |         |

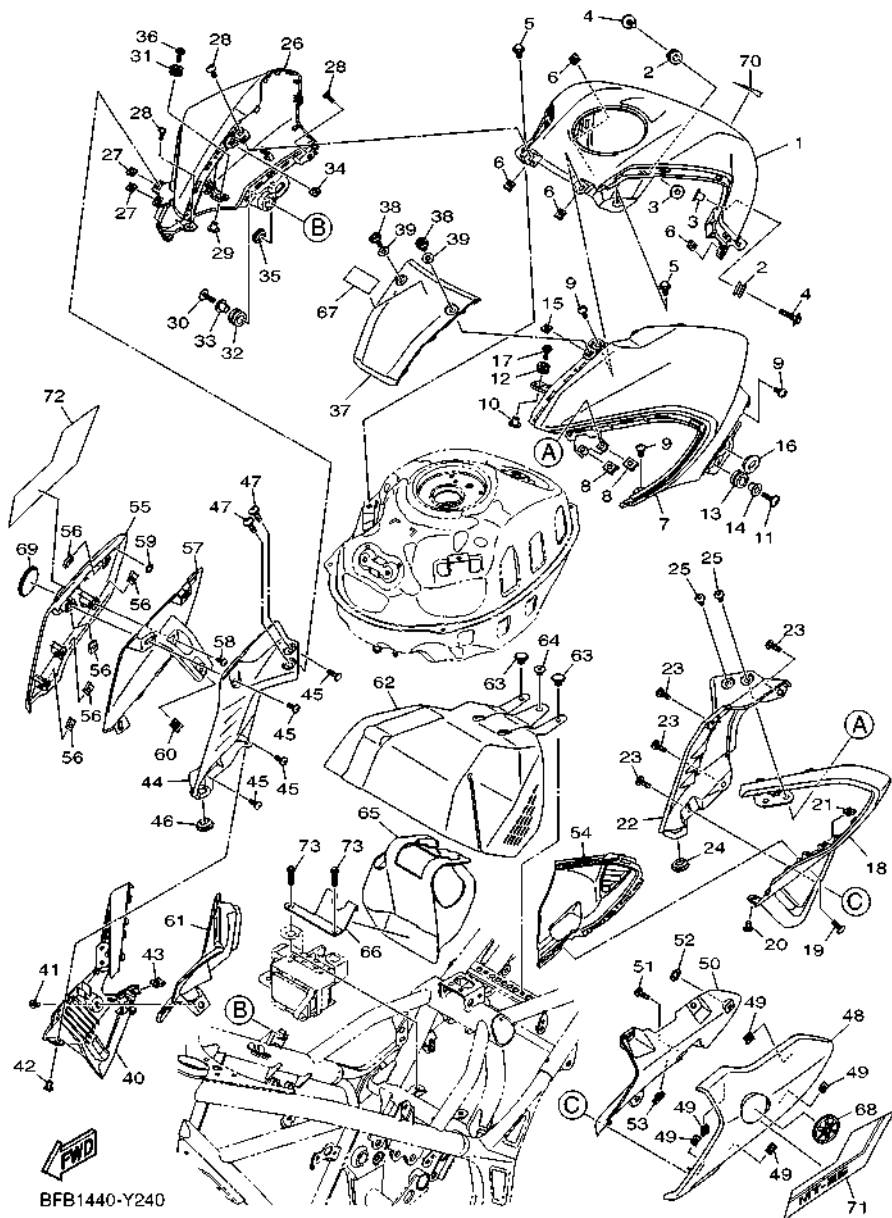


FIG. 23 FUEL TANK



| REF. NO. | PART NO.    | DESCRIPTION | BFB2 |  |  |  | REMARKS |
|----------|-------------|-------------|------|--|--|--|---------|
| 55       | 90464-16006 | CLAMP       | 1    |  |  |  |         |
|          |             |             |      |  |  |  |         |
|          |             |             |      |  |  |  |         |
|          |             |             |      |  |  |  |         |
|          |             |             |      |  |  |  |         |
|          |             |             |      |  |  |  |         |
|          |             |             |      |  |  |  |         |
|          |             |             |      |  |  |  |         |
|          |             |             |      |  |  |  |         |
|          |             |             |      |  |  |  |         |

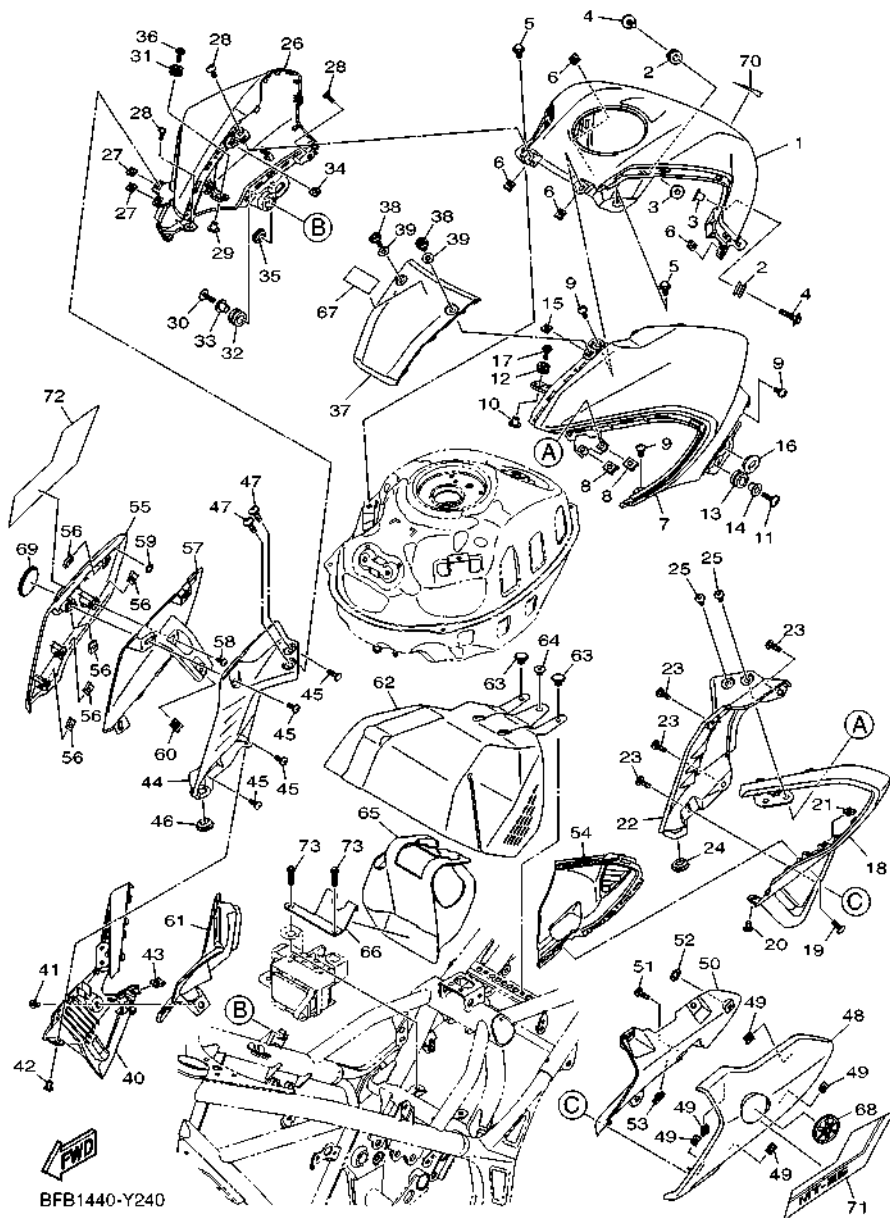
FIG. 24 FUEL TANK 2



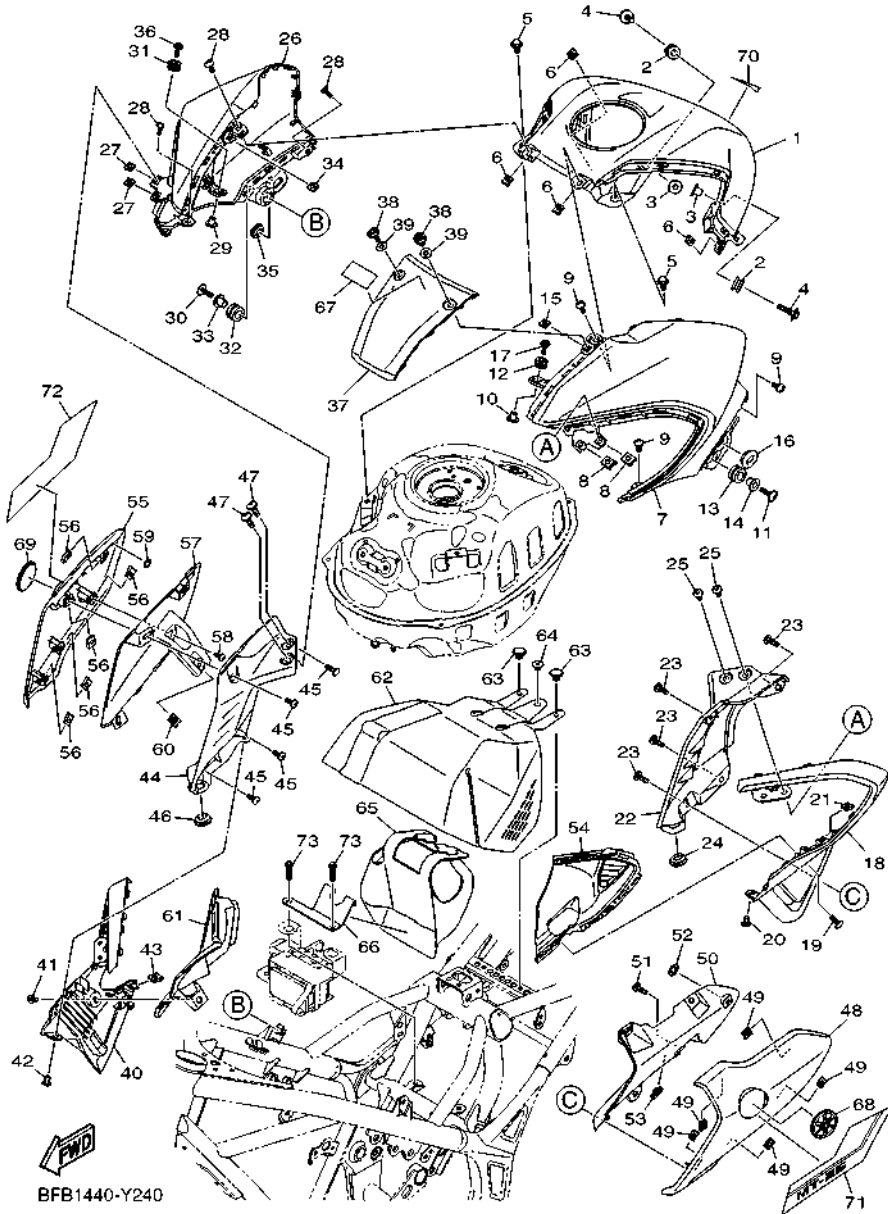
BFB1440-Y240

| REF. NO. | PART NO.        | DESCRIPTION               | BFB2 | REMARKS      |
|----------|-----------------|---------------------------|------|--------------|
| 1        | B9T-F41B1-00-P4 | COVER, TANK               | 1    | UR FOR DBNM8 |
|          | B9T-F41B1-00-P3 | COVER, TANK               | 1    | UR FOR MDNM8 |
| 2        | 90480-12808     | GROMMET                   | 2    |              |
| 3        | 90387-06899     | COLLAR                    | 2    |              |
| 4        | 90119-06309     | BOLT, WITH WASHER         | 2    |              |
| 5        | 90109-068B2     | BOLT                      | 2    |              |
| 6        | 90183-05807     | NUT, SPRING               | 4    |              |
| 7        | B9T-F4129-00-P5 | COVER, SIDE 1             | 1    | UR FOR DBNM8 |
|          | B9T-F4129-00-P4 | COVER, TANK SIDE 1        | 1    | UR FOR MDNM8 |
| 8        | 90183-05807     | NUT, SPRING               | 2    |              |
| 9        | 97702-50016     | SCREW, TAPPING            | 3    |              |
| 10       | 90387-06899     | COLLAR                    | 1    |              |
| 11       | 90110-06087     | BOLT, HEXAGON SOCKET HEAD | 1    |              |
| 12       | 90480-12808     | GROMMET                   | 1    |              |
| 13       | 90480-17007     | GROMMET                   | 1    |              |
| 14       | 90387-10107     | COLLAR                    | 1    |              |
| 15       | 90183-05076     | NUT, SPRING               | 1    |              |
| 16       | 90480-01559     | GROMMET                   | 1    |              |
| 17       | 90119-05020     | BOLT, WITH WASHER         | 1    |              |
| 18       | B9T-F838N-00    | DUCT 1                    | 1    |              |
| 19       | 90160-05009     | SCREW, ROUND TAPPING      | 1    |              |
| 20       | 90269-06816     | RIVET                     | 1    |              |
| 21       | 90183-05807     | NUT, SPRING               | 1    |              |
| 22       | B9T-F137K-00    | GUIDE, AIR 3              | 1    |              |
| 23       | 97707-50016     | SCREW, TRUSS HEAD TAPPING | 4    |              |
| 24       | 90480-01559     | GROMMET                   | 1    |              |
| 25       | 90160-05009     | SCREW, ROUND TAPPING      | 2    |              |

FIG. 24 FUEL TANK 2



| REF. NO. | PART NO.        | DESCRIPTION                 | BFB2 |  | REMARKS      |
|----------|-----------------|-----------------------------|------|--|--------------|
| 26       | B9T-F4139-00-P5 | COVER, SIDE 2               | 1    |  | UR FOR DBNM8 |
|          | B9T-F4139-00-P4 | COVER, TANK SIDE 2          | 1    |  | UR FOR MDNM8 |
| 27       | 90183-05807     | NUT, SPRING                 | 2    |  |              |
| 28       | 97702-50016     | SCREW, TAPPING              | 3    |  |              |
| 29       | 90387-06899     | COLLAR                      | 1    |  |              |
| 30       | 90110-06087     | BOLT, HEXAGON SOCKET HEAD   | 1    |  |              |
| 31       | 90480-12808     | GROMMET                     | 1    |  |              |
| 32       | 90480-17007     | GROMMET                     | 1    |  |              |
| 33       | 90387-10107     | COLLAR                      | 1    |  |              |
| 34       | 90183-05076     | NUT, SPRING                 | 1    |  |              |
| 35       | 90480-01559     | GROMMET                     | 1    |  |              |
| 36       | 90119-05020     | BOLT, WITH WASHER           | 1    |  |              |
| 37       | B9T-F171A-00-P5 | COVER, TOP                  | 1    |  | UR FOR DBNM8 |
|          | B9T-F171A-00-P4 | COVER, TOP                  | 1    |  | UR FOR MDNM8 |
| 38       | 90111-05056     | BOLT, HEXAGON SOCKET BUTTON | 2    |  |              |
| 39       | 90202-05180     | WASHER, PLATE               | 2    |  |              |
| 40       | B9T-F838R-00    | DUCT 2                      | 1    |  |              |
| 41       | 90160-05009     | SCREW, ROUND TAPPING        | 1    |  |              |
| 42       | 90269-06816     | RIVET                       | 1    |  |              |
| 43       | 90183-05807     | NUT, SPRING                 | 1    |  |              |
| 44       | B9T-F137L-00    | GUIDE, AIR 4                | 1    |  |              |
| 45       | 97707-50016     | SCREW, TRUSS HEAD TAPPING   | 4    |  |              |
| 46       | 90480-01559     | GROMMET                     | 1    |  |              |
| 47       | 90160-05009     | SCREW, ROUND TAPPING        | 2    |  |              |
| 48       | B9T-F137W-00-P7 | SCOOP, AIR 1                | 1    |  | UR FOR DBNM8 |
|          | B9T-F137W-00-P5 | SCOOP, AIR 1                | 1    |  | UR FOR MDNM8 |
| 49       | 90183-05807     | NUT, SPRING                 | 5    |  |              |

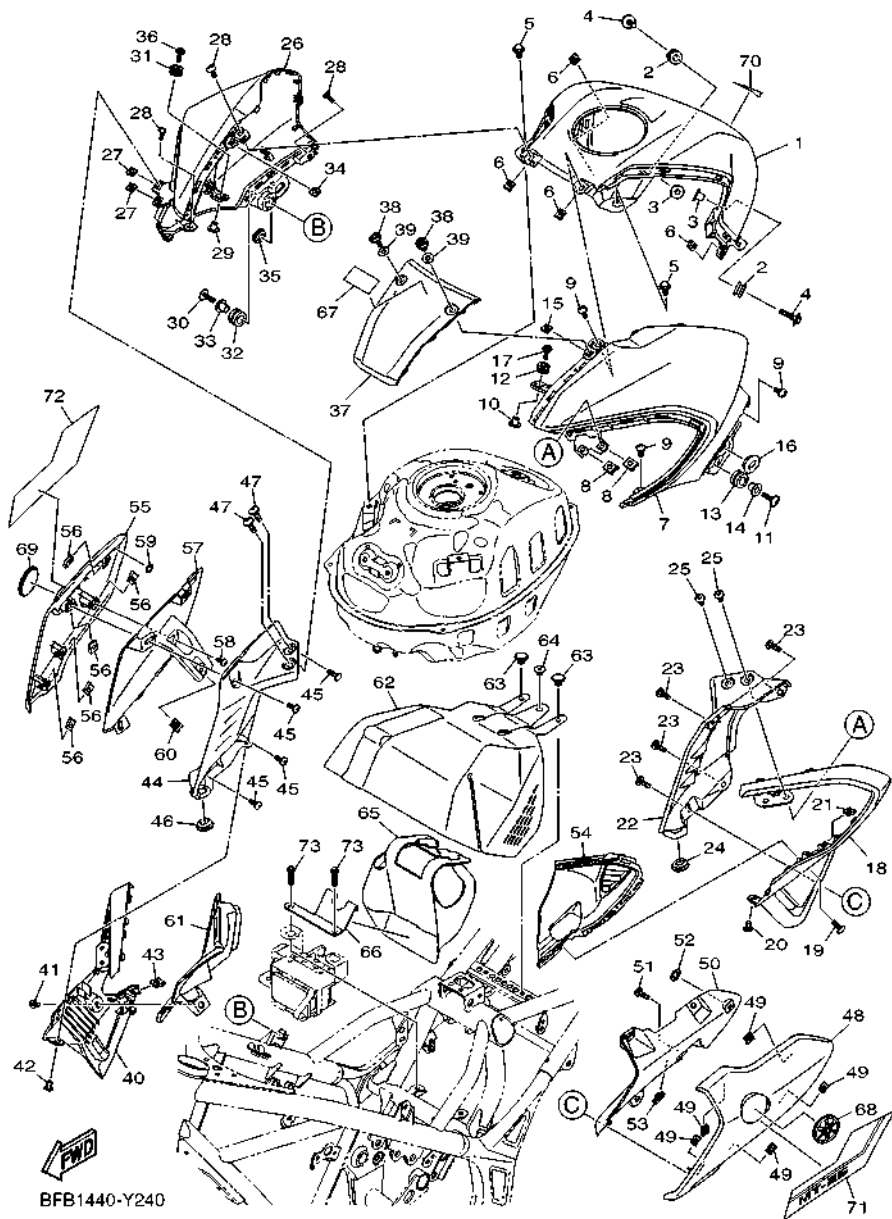


BFB1440-Y240

FIG. 24 FUEL TANK 2

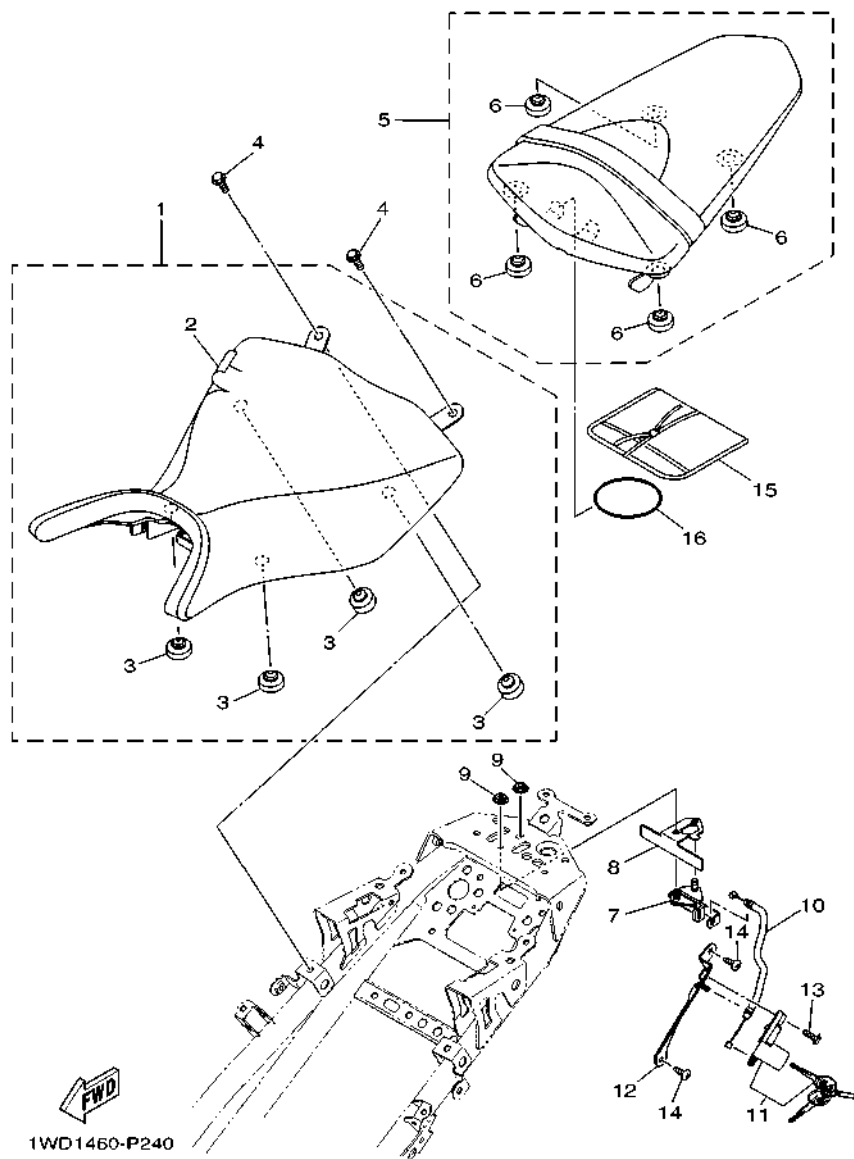
| REF. NO. | PART NO.        | DESCRIPTION               | BFB2 | REMARKS      |
|----------|-----------------|---------------------------|------|--------------|
| 50       | B9T-F836K-00    | PANEL, INNER 1            | 1    |              |
| 51       | 97707-50016     | SCREW, TRUSS HEAD TAPPING | 1    |              |
| 52       | 90183-05M02     | NUT, SPRING               | 1    |              |
| 53       | 90183-05807     | NUT, SPRING               | 1    |              |
| 54       | B9T-F837N-00    | GRILL, AIR INTAKE 1       | 1    |              |
| 55       | B9T-F137X-00-P7 | SCOOP, AIR 2              | 1    | UR FOR DBNM8 |
|          | B9T-F137X-00-P5 | SCOOP, AIR 2              | 1    | UR FOR MDNM8 |
| 56       | 90183-05807     | NUT, SPRING               | 5    |              |
| 57       | B9T-F836L-00    | PANEL, INNER 2            | 1    |              |
| 58       | 97707-50016     | SCREW, TRUSS HEAD TAPPING | 1    |              |
| 59       | 90183-05M02     | NUT, SPRING               | 1    |              |
| 60       | 90183-05807     | NUT, SPRING               | 1    |              |
| 61       | B9T-F837R-00    | GRILL, AIR INTAKE 2       | 1    |              |
| 62       | B04-E449E-00    | COVER, AIR CLEANER        | 1    |              |
| 63       | 90269-07076     | RIVET                     | 2    |              |
| 64       | 90269-09001     | RIVET                     | 1    |              |
| 65       | B04-F1642-00    | GUARD, FLAP               | 1    |              |
| 66       | B04-F1533-00    | STAY, FLAP                | 1    |              |
| 67       | B74-F1568-00    | LABEL, WARNING            | 1    |              |
| 68       | 1WD-F413B-01    | TUNING FORK MARK, 3D      | 1    |              |
| 69       | 1WD-F413B-01    | TUNING FORK MARK, 3D      | 1    |              |
| 70       | B04-F4254-J0    | GRAPHIC, FUEL TANK 7      | 1    | UR FOR DBNM8 |
|          | B04-F4254-C1    | GRAPHIC, FUEL TANK 7      | 1    | UR FOR MDNM8 |
| 71       | B9T-F8391-80    | GRAPHIC 1                 | 1    | UR FOR DBNM8 |
|          | B9T-F8391-50    | GRAPHIC 1                 | 1    | UR FOR MDNM8 |
| 72       | B9T-F8392-80    | GRAPHIC 2                 | 1    | UR FOR DBNM8 |
|          | B9T-F8392-50    | GRAPHIC 2                 | 1    | UR FOR MDNM8 |

FIG. 24 FUEL TANK 2

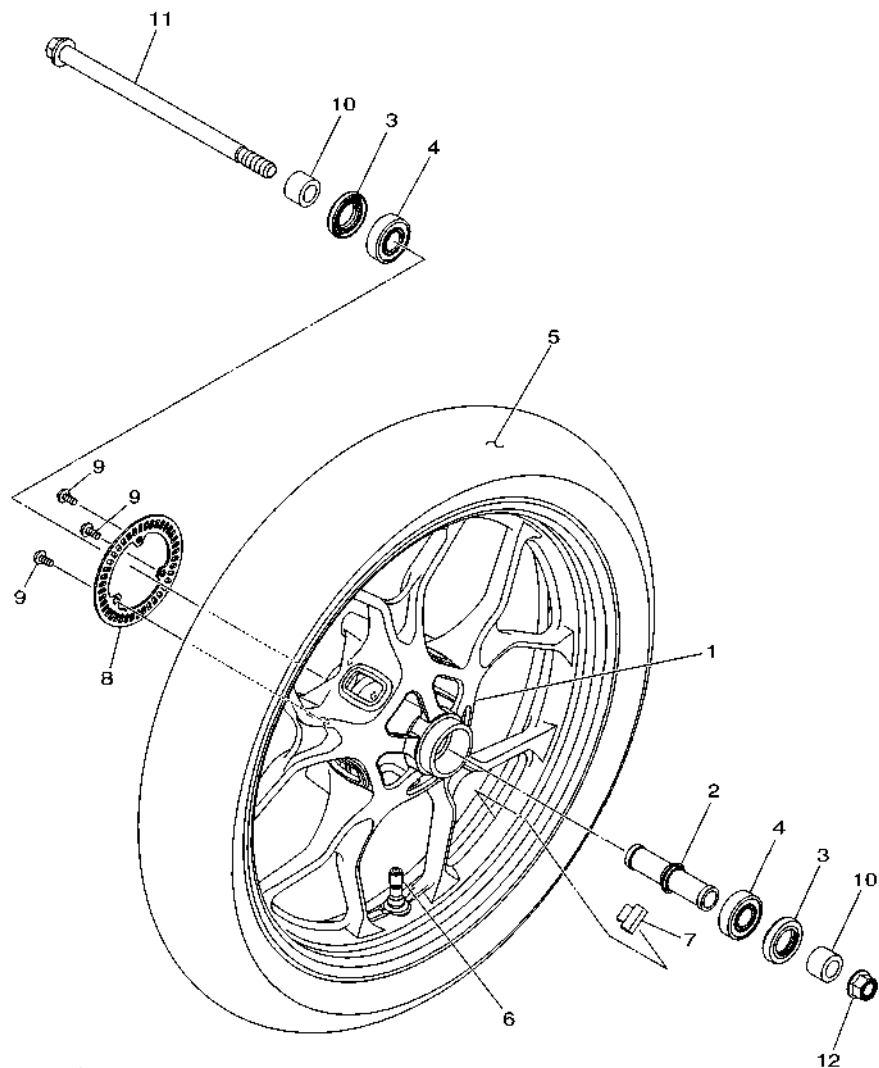


| REF. NO. | PART NO.    | DESCRIPTION  | BFB2 |  |  |  |  |  | REMARKS |
|----------|-------------|--------------|------|--|--|--|--|--|---------|
| 73       | 95022-06025 | BOLT, FLANGE | 2    |  |  |  |  |  |         |
|          |             |              |      |  |  |  |  |  |         |
|          |             |              |      |  |  |  |  |  |         |
|          |             |              |      |  |  |  |  |  |         |
|          |             |              |      |  |  |  |  |  |         |
|          |             |              |      |  |  |  |  |  |         |
|          |             |              |      |  |  |  |  |  |         |
|          |             |              |      |  |  |  |  |  |         |
|          |             |              |      |  |  |  |  |  |         |
|          |             |              |      |  |  |  |  |  |         |

FIG. 25 SEAT



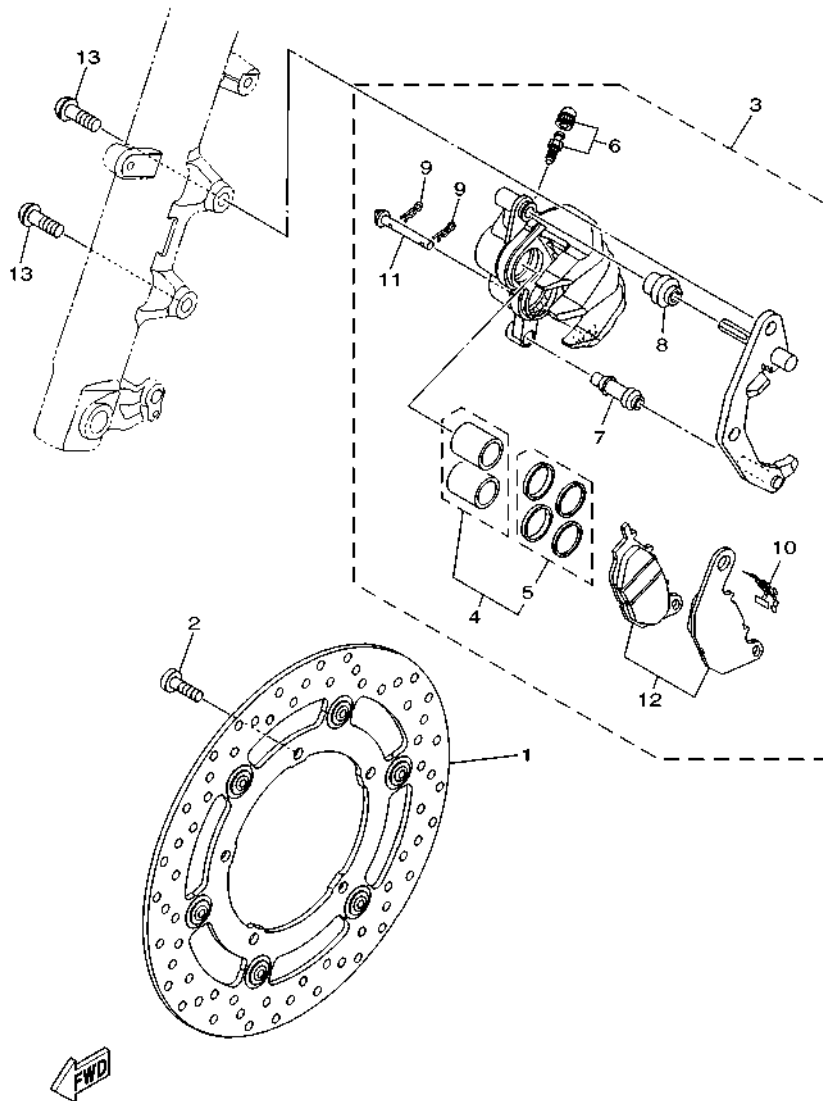
| REF. NO. | PART NO.     | DESCRIPTION             | BFB2 |  |  |  | REMARKS |
|----------|--------------|-------------------------|------|--|--|--|---------|
| 1        | 1WD-F4710-03 | SINGLE SEAT ASSY        | 1    |  |  |  |         |
| 2        | 1WD-F4711-01 | .COVER, SINGLE SEAT     | 1    |  |  |  |         |
| 3        | 5BP-F4741-00 | .PAD, SEAT              | 4    |  |  |  |         |
| 4        | 95022-06012  | BOLT, FLANGE            | 2    |  |  |  |         |
| 5        | 1WD-F4750-01 | TANDEM SEAT ASSY        | 1    |  |  |  |         |
| 6        | 3C1-F4741-00 | .PAD, SEAT              | 4    |  |  |  |         |
| 7        | 1WD-F4780-00 | SEAT LOCK ASSY          | 1    |  |  |  |         |
| 8        | 1WD-F4792-00 | PLATE                   | 1    |  |  |  |         |
| 9        | 95707-06500  | NUT, FLANGE             | 2    |  |  |  |         |
| 10       | 1WD-F478E-00 | CABLE, SEAT LOCK        | 1    |  |  |  |         |
| 11       | 1WD-WF479-00 | ROTOR SUB ASSY WITH KEY | 1    |  |  |  |         |
| 12       | 1WD-F117K-00 | STAY, LOCK              | 1    |  |  |  |         |
| 13       | 90159-06054  | SCREW, WITH WASHER      | 1    |  |  |  |         |
| 14       | 97702-50016  | SCREW, TAPPING          | 2    |  |  |  |         |
| 15       | B9T-F8100-00 | TOOL KIT                | 1    |  |  |  |         |
| 16       | 5TL-H2131-00 | BAND, BATTERY           | 1    |  |  |  |         |



B4W2010-V260

FIG. 26 FRONT WHEEL

| REF. NO. | PART NO.        | DESCRIPTION                    | BFB2 |  | REMARKS      |
|----------|-----------------|--------------------------------|------|--|--------------|
| 1        | BS7-F5168-10-P1 | CAST WHEEL, FRONT              | 1    |  | UR FOR DBNM8 |
|          | BS7-F5168-10-98 | CAST WHEEL, FRONT              | 1    |  | UR FOR MDNM8 |
| 2        | 1WD-F510C-01    | COLLAR ASSY.                   | 1    |  |              |
| 3        | 93106-26815     | OIL SEAL                       | 2    |  |              |
| 4        | 93306-302X4     | BEARING                        | 2    |  |              |
| 5        | 94111-17801     | TIRE (110/70-17M/C 54S RX-01F) | 1    |  | INOUE        |
| 6        | 93900-00828     | VALVE, RIM                     | 1    |  |              |
| 7        | 5MT-25398-00    | BALANCER, WHEEL (10G)          | 1    |  | UN           |
|          | 5MT-25398-10    | BALANCER, WHEEL (20G)          | 1    |  | UN           |
|          | 5MT-25398-20    | BALANCER, WHEEL (30G)          | 1    |  | UN           |
| 8        | 2DP-F517G-00    | ROTOR, SENSOR                  | 1    |  |              |
| 9        | 90149-05029     | SCREW                          | 3    |  |              |
| 10       | 1PA-F5386-00    | COLLAR, SPROCKET AXLE          | 2    |  |              |
| 11       | 1WD-25181-00    | AXLE, WHEEL                    | 1    |  |              |
| 12       | 95602-14200     | NUT, SELF-LOCKING              | 1    |  |              |



1WD1460-P260

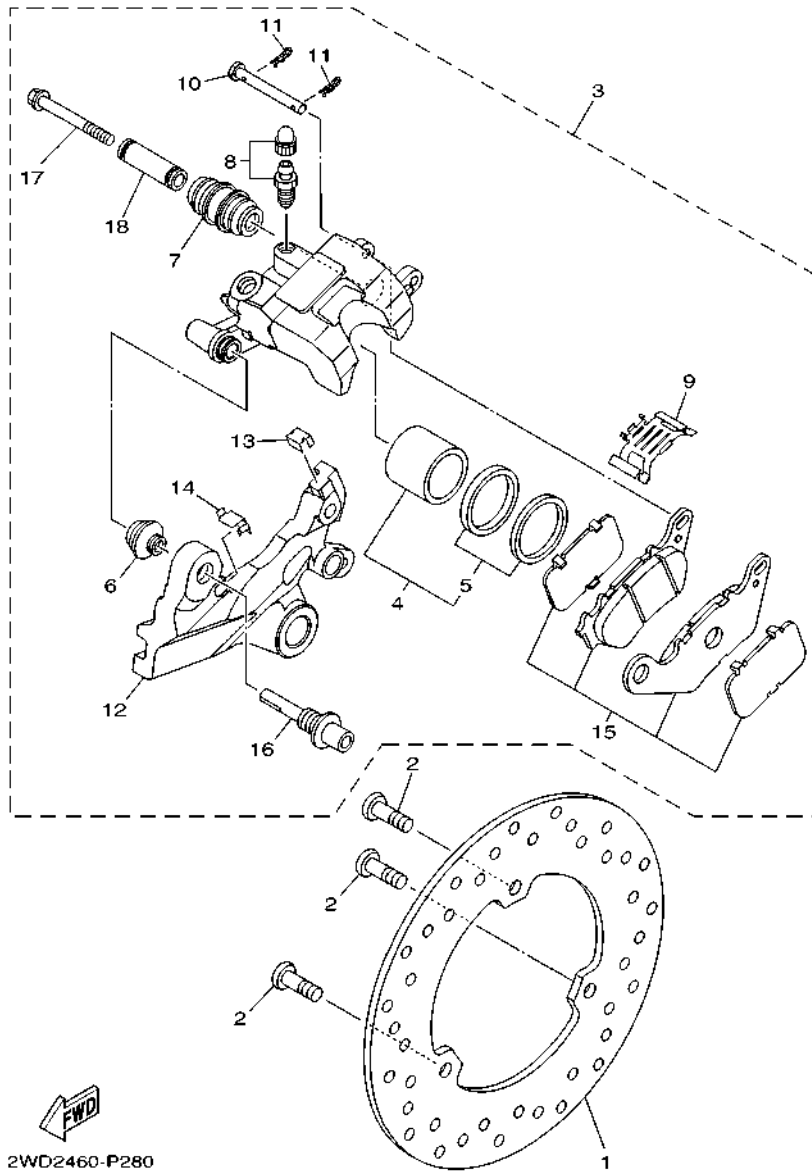
**FIG. 27 FRONT BRAKE CALIPER**

| REF. NO. | PART NO.     | DESCRIPTION                 | BFB2 |  |  |  | REMARKS |
|----------|--------------|-----------------------------|------|--|--|--|---------|
| 1        | 1WD-F581U-01 | DISK BRAKE ASSY (RIGHT)     | 1    |  |  |  |         |
| 2        | 90111-08087  | BOLT, HEXAGON SOCKET BUTTON | 5    |  |  |  |         |
| 3        | 1WD-F580U-01 | CALIPER ASSY (RIGHT)        | 1    |  |  |  |         |
| 4        | 1WD-25802-00 | .PISTON ASSY, CALIPER       | 1    |  |  |  |         |
| 5        | 1WD-25803-00 | ..CALIPER SEAL KIT          | 1    |  |  |  |         |
| 6        | 4C9-W0048-00 | ..BLEED SCREW KIT           | 1    |  |  |  |         |
| 7        | 5YP-F5937-00 | ..BOOT 2                    | 1    |  |  |  |         |
| 8        | 5YP-F5917-00 | ..BOOT, CALIPER             | 1    |  |  |  |         |
| 9        | 5YP-F5925-01 | ..CLIP                      | 2    |  |  |  |         |
| 10       | 1WD-F5919-00 | ..SUPPORT, PAD              | 1    |  |  |  |         |
| 11       | 5YP-F5924-00 | ..PIN, PAD                  | 1    |  |  |  |         |
| 12       | 1WD-25805-00 | ..BRAKE PAD KIT             | 1    |  |  |  |         |
| 13       | 90149-10044  | SCREW                       | 2    |  |  |  |         |





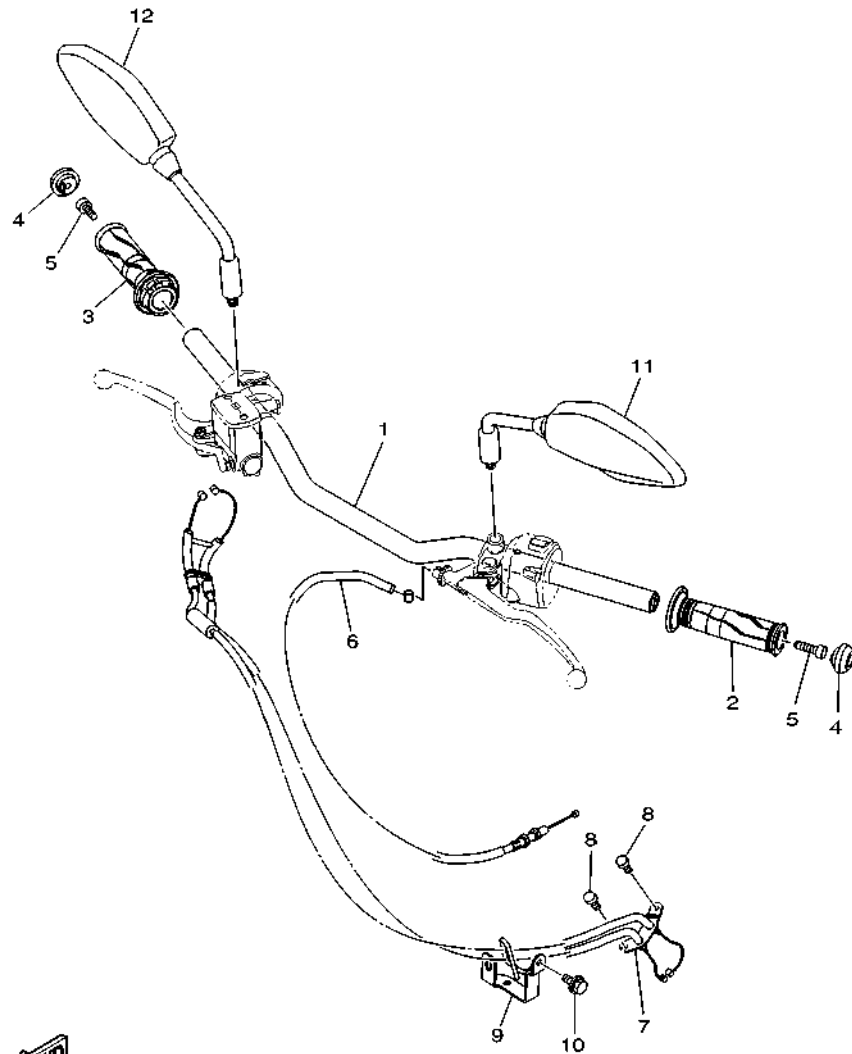




2WD2460-P280

**FIG. 29 REAR BRAKE CALIPER**

| REF. NO. | PART NO.     | DESCRIPTION                 | BFB2 |  |  |  | REMARKS |
|----------|--------------|-----------------------------|------|--|--|--|---------|
| 1        | 1WD-F582W-00 | DISK, REAR BRAKE 2          | 1    |  |  |  |         |
| 2        | 90111-08087  | BOLT, HEXAGON SOCKET BUTTON | 3    |  |  |  |         |
| 3        | 2WD-F580W-00 | CALIPER ASSY, REAR 2        | 1    |  |  |  |         |
| 4        | 1WD-25802-50 | .PISTON ASSY, CALIPER       | 1    |  |  |  |         |
| 5        | 1WD-25803-50 | ..CALIPER SEAL KIT          | 1    |  |  |  |         |
| 6        | 5YP-F5917-00 | .BOOT, CALIPER              | 1    |  |  |  |         |
| 7        | 34X-25937-00 | .BOOT 2                     | 1    |  |  |  |         |
| 8        | 5YP-W0048-50 | .BLEED SCREW KIT            | 1    |  |  |  |         |
| 9        | 1WD-F5919-50 | .SUPPORT, PAD               | 1    |  |  |  |         |
| 10       | 1WD-F5924-50 | .PIN, PAD                   | 1    |  |  |  |         |
| 11       | 5YP-F5925-01 | .CLIP                       | 2    |  |  |  |         |
| 12       | 2WD-F5921-50 | .BRACKET, SUPPORT           | 1    |  |  |  |         |
| 13       | 1WD-F5939-51 | .PAD,SUPPORT 2              | 1    |  |  |  |         |
| 14       | 1WD-F5939-61 | .PAD,SUPPORT 2              | 1    |  |  |  |         |
| 15       | 1WD-25806-00 | .BRAKE PAD KIT 2            | 1    |  |  |  |         |
| 16       | 1WD-F5914-50 | .PIN, SLIDE                 | 1    |  |  |  |         |
| 17       | 5KN-25926-01 | .BOLT                       | 1    |  |  |  |         |
| 18       | 5TL-F5838-00 | .SLEEVE, CALIPER            | 1    |  |  |  |         |

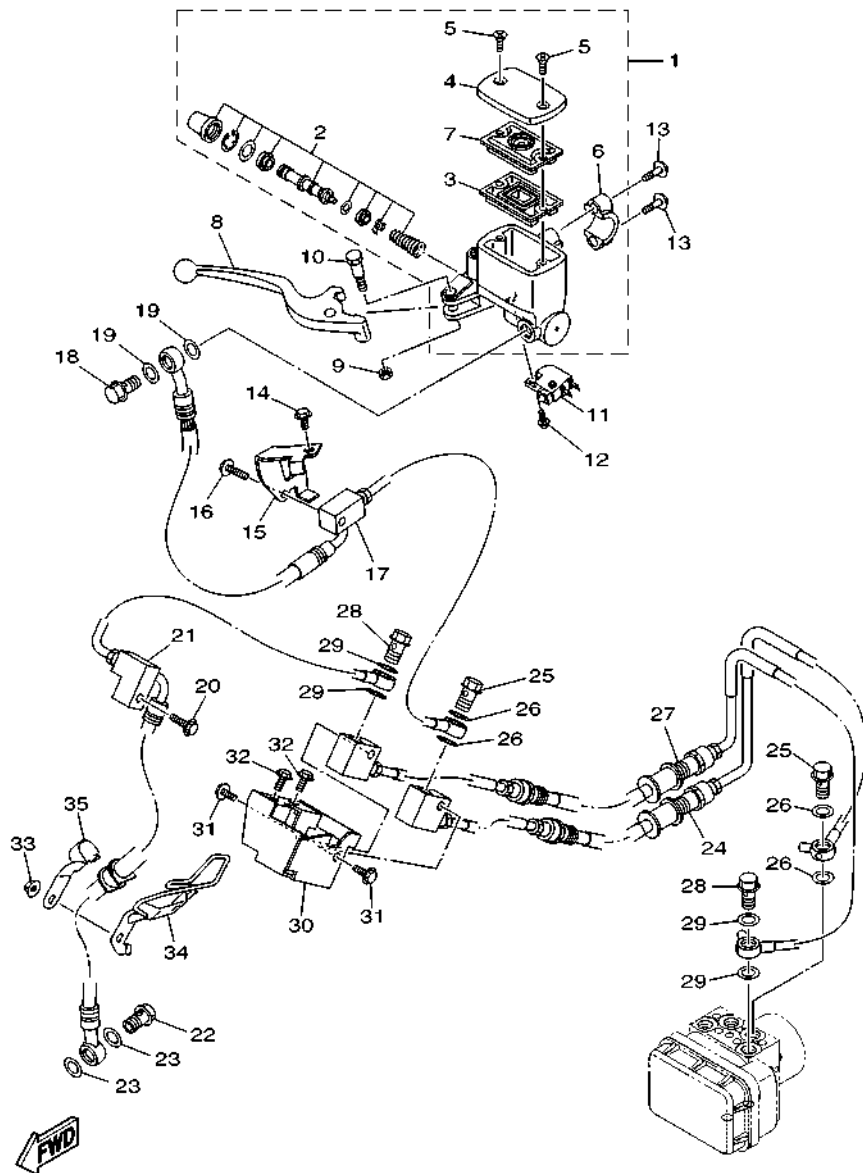


B9T1460-V300

FIG. 30 STEERING HANDLE & CABLE

| REF. NO. | PART NO.     | DESCRIPTION                   | BFB2 |  |  |  | REMARKS |
|----------|--------------|-------------------------------|------|--|--|--|---------|
| 1        | B9T-F6111-00 | HANDLEBAR                     | 1    |  |  |  |         |
| 2        | 2DP-F6241-00 | GRIP                          | 1    |  |  |  |         |
| 3        | 2DP-F6240-00 | GRIP ASSY                     | 1    |  |  |  |         |
| 4        | 1WD-F6246-00 | END, GRIP                     | 2    |  |  |  |         |
| 5        | 91317-06020  | BOLT, HEXAGON SOCKET HEAD     | 2    |  |  |  |         |
| 6        | B9T-F6335-00 | WIRE, CLUTCH                  | 1    |  |  |  |         |
| 7        | BGJ-F6301-01 | THROTTLE CABLE ASSY           | 1    |  |  |  |         |
| 8        | 91312-05010  | BOLT, HEXAGON SOCKET HEAD     | 2    |  |  |  |         |
| 9        | B9T-F6315-00 | GUIDE, WIRE                   | 1    |  |  |  |         |
| 10       | 95802-06010  | BOLT, FLANGE                  | 1    |  |  |  |         |
| 11       | BGJ-F6280-00 | REAR VIEW MIRROR ASSY (LEFT)  | 1    |  |  |  |         |
| 12       | BGJ-F6290-00 | REAR VIEW MIRROR ASSY (RIGHT) | 1    |  |  |  |         |

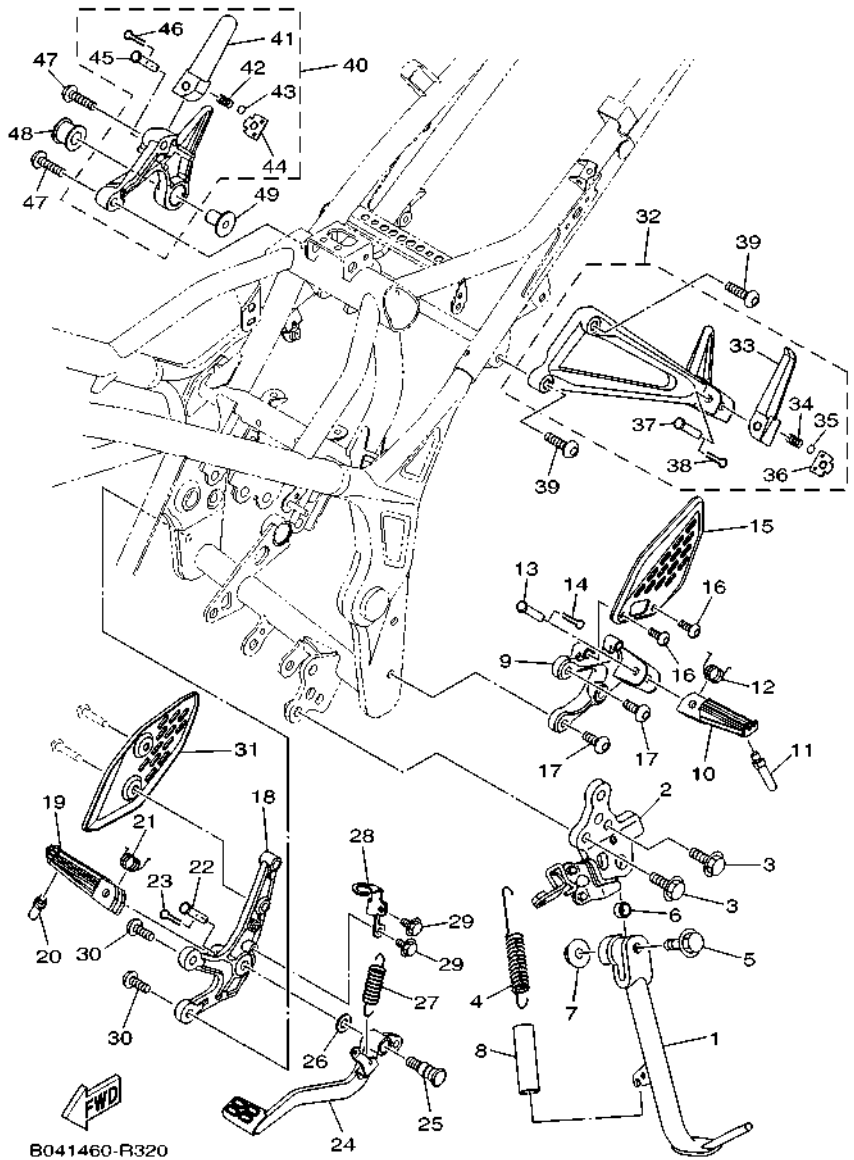
**FIG. 31 FRONT MASTER CYLINDER**



B6W1431-V310

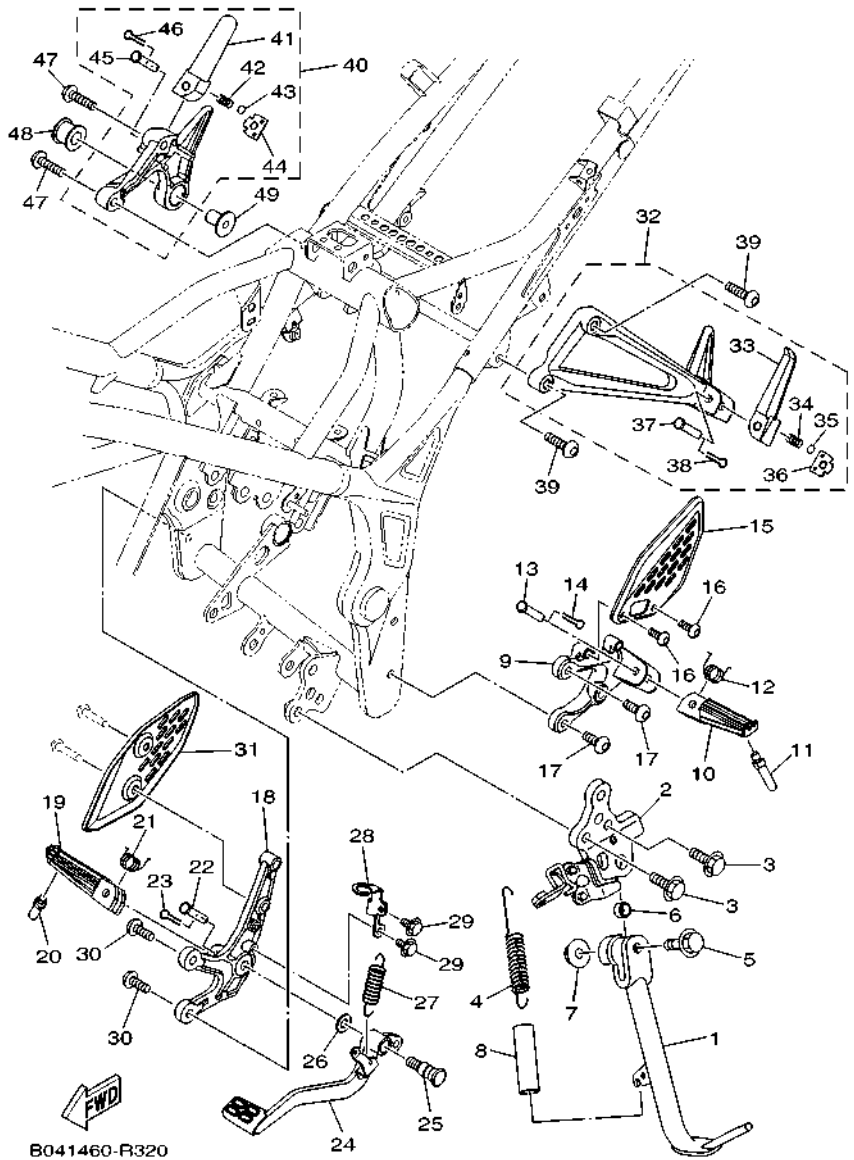
| REF. NO. | PART NO.     | DESCRIPTION                 | BFB2 |  |  | REMARKS |
|----------|--------------|-----------------------------|------|--|--|---------|
| 1        | 1WD-F5870-00 | MASTER CYLINDER SUB ASSY    | 1    |  |  |         |
| 2        | 1WD-F5807-00 | .CYLINDER KIT, MASTER       | 1    |  |  |         |
| 3        | 5RB-25854-00 | .DIAPHRAGM, RESERVOIR       | 1    |  |  |         |
| 4        | 1WD-F5852-00 | .CAP, RESERVOIR             | 1    |  |  |         |
| 5        | 36Y-2589H-00 | .SCREW                      | 2    |  |  |         |
| 6        | 3RW-F5867-00 | .BRACKET, MASTER CYLINDER   | 1    |  |  |         |
| 7        | 3C1-F5855-00 | .BUSH,DIAPHRAGM             | 1    |  |  |         |
| 8        | 1WD-H3922-00 | LEVER 2                     | 1    |  |  |         |
| 9        | 95602-06100  | NUT, SELF-LOCKING           | 1    |  |  |         |
| 10       | 90109-06577  | BOLT                        | 1    |  |  |         |
| 11       | 2DP-H3980-01 | FRONT STOP SWITCH ASSY      | 1    |  |  |         |
| 12       | 97602-04212  | SCREW, PAN HEAD WITH WASHER | 1    |  |  |         |
| 13       | 95027-06025  | BOLT, FLANGE                | 2    |  |  |         |
| 14       | 95D02-06012  | BOLT, FLANGE DEEP RECESS    | 1    |  |  |         |
| 15       | 2WD-F588F-00 | HOLDER, BRAKE HOSE 5        | 1    |  |  |         |
| 16       | 95022-06020  | BOLT, FLANGE                | 1    |  |  |         |
| 17       | B6W-F5872-00 | HOSE, BRAKE 1               | 1    |  |  |         |
| 18       | 90401-10812  | BOLT, UNION                 | 1    |  |  |         |
| 19       | 90201-10118  | WASHER, PLATE               | 2    |  |  |         |
| 20       | 95022-06020  | BOLT, FLANGE                | 1    |  |  |         |
| 21       | B6W-F581J-00 | HOSE, BRAKE 4               | 1    |  |  |         |
| 22       | 90401-10812  | BOLT, UNION                 | 1    |  |  |         |
| 23       | 90201-10118  | WASHER, PLATE               | 2    |  |  |         |
| 24       | 2WD-F5873-01 | HOSE, BRAKE 2               | 1    |  |  |         |
| 25       | 90401-10812  | BOLT, UNION                 | 2    |  |  |         |
| 26       | 90201-10118  | WASHER, PLATE               | 4    |  |  |         |
| 27       | B5L-F5874-00 | HOSE, BRAKE 3               | 1    |  |  |         |





**FIG. 32 STAND & FOOTREST**

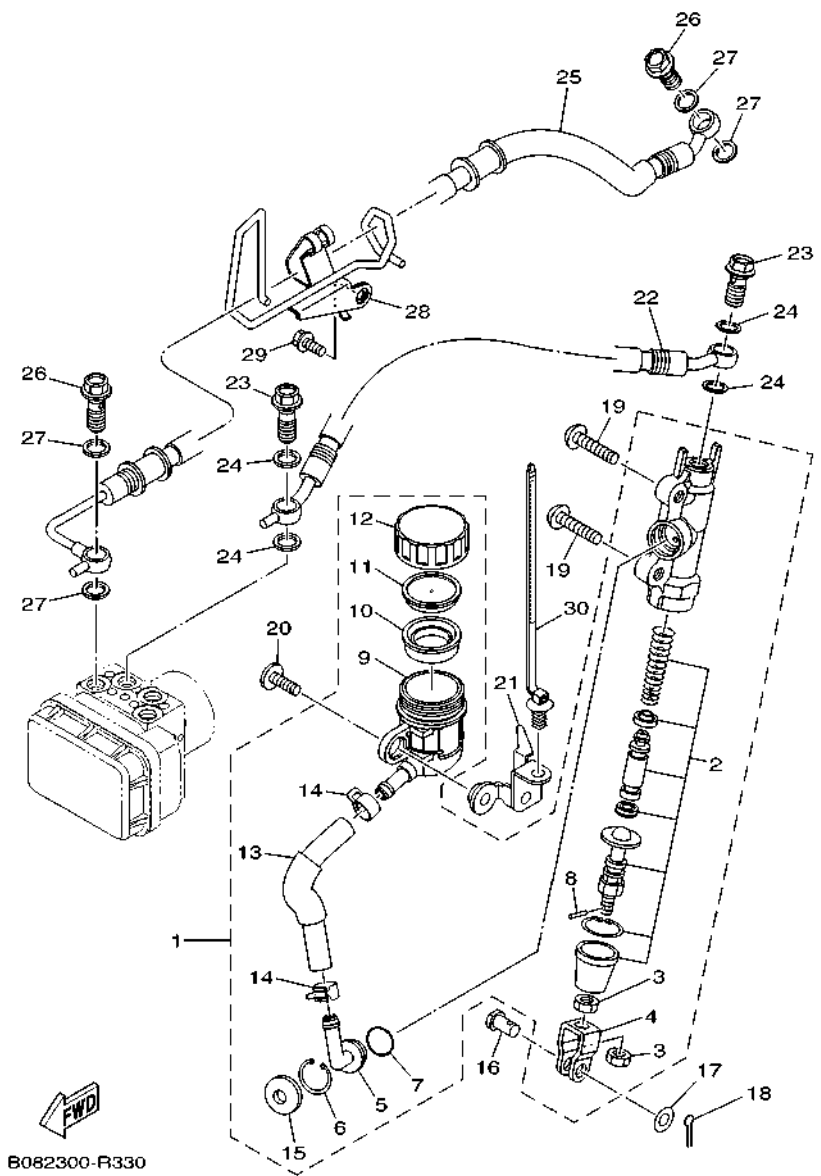
| REF. NO. | PART NO.     | DESCRIPTION                 | BFB2 |  |  |  | REMARKS |
|----------|--------------|-----------------------------|------|--|--|--|---------|
| 1        | 1WD-F7311-00 | STAND, SIDE                 | 1    |  |  |  |         |
| 2        | B04-F7321-00 | BRACKET, SIDE STAND         | 1    |  |  |  |         |
| 3        | 95817-10025  | BOLT, FLANGE                | 2    |  |  |  |         |
| 4        | 90506-23812  | SPRING, TENSION             | 1    |  |  |  |         |
| 5        | 90105-106A7  | BOLT, FLANGE                | 1    |  |  |  |         |
| 6        | 90387-10010  | COLLAR                      | 1    |  |  |  |         |
| 7        | 95602-10200  | NUT, SELF-LOCKING           | 1    |  |  |  |         |
| 8        | 90445-217G3  | HOSE (L70)                  | 1    |  |  |  |         |
| 9        | 1WD-F7442-01 | BRACKET 2                   | 1    |  |  |  |         |
| 10       | 1WD-F7451-00 | FOOTREST                    | 1    |  |  |  |         |
| 11       | 1WD-F7435-00 | BOLT                        | 1    |  |  |  |         |
| 12       | 90508-183B9  | SPRING, TORSION             | 1    |  |  |  |         |
| 13       | 90240-08145  | PIN, CLEVIS                 | 1    |  |  |  |         |
| 14       | 91401-25015  | PIN, COTTER                 | 1    |  |  |  |         |
| 15       | 1WD-F7445-00 | PLATE 1                     | 1    |  |  |  |         |
| 16       | 90111-06013  | BOLT, HEXAGON SOCKET BUTTON | 2    |  |  |  |         |
| 17       | 90109-085G6  | BOLT                        | 2    |  |  |  |         |
| 18       | 1WD-F7443-00 | BRACKET 3                   | 1    |  |  |  |         |
| 19       | 1WD-F7461-00 | FOOTREST                    | 1    |  |  |  |         |
| 20       | 1WD-F7435-00 | BOLT                        | 1    |  |  |  |         |
| 21       | 90508-183B9  | SPRING, TORSION             | 1    |  |  |  |         |
| 22       | 90240-08145  | PIN, CLEVIS                 | 1    |  |  |  |         |
| 23       | 91401-25015  | PIN, COTTER                 | 1    |  |  |  |         |
| 24       | 1WD-F7211-00 | PEDAL, BRAKE                | 1    |  |  |  |         |
| 25       | 4BP-27261-00 | SHAFT                       | 1    |  |  |  |         |
| 26       | 90201-10021  | WASHER, PLATE               | 1    |  |  |  |         |
| 27       | 90506-26807  | SPRING, TENSION             | 1    |  |  |  |         |



**FIG. 32 STAND & FOOTREST**

| REF. NO. | PART NO.     | DESCRIPTION               | BFB2 |  |  |  | REMARKS |
|----------|--------------|---------------------------|------|--|--|--|---------|
| 28       | 1WD-F144G-00 | STAY, STOP SWITCH         | 1    |  |  |  |         |
| 29       | 95802-06010  | BOLT, FLANGE              | 2    |  |  |  |         |
| 30       | 90109-085G6  | BOLT                      | 2    |  |  |  |         |
| 31       | 1WD-F7446-00 | PLATE 2                   | 1    |  |  |  |         |
| 32       | 1WD-F7430-01 | REAR FOOTREST ASSY 1      | 1    |  |  |  |         |
| 33       | 1WD-F7431-01 | .FOOTREST, REAR 1         | 1    |  |  |  |         |
| 34       | 90501-12743  | .SPRING, COMPRESSION      | 1    |  |  |  |         |
| 35       | 93501-04830  | .BALL                     | 1    |  |  |  |         |
| 36       | 1WD-F7437-00 | .WASHER, SPECIAL          | 1    |  |  |  |         |
| 37       | 90240-08145  | .PIN, CLEVIS              | 1    |  |  |  |         |
| 38       | 91401-25015  | .PIN, COTTER              | 1    |  |  |  |         |
| 39       | 90110-08071  | BOLT, HEXAGON SOCKET HEAD | 2    |  |  |  |         |
| 40       | 1WD-F7440-01 | REAR FOOTREST ASSY 2      | 1    |  |  |  |         |
| 41       | 1WD-F7441-01 | .FOOTREST, REAR 2         | 1    |  |  |  |         |
| 42       | 90501-12743  | .SPRING, COMPRESSION      | 1    |  |  |  |         |
| 43       | 93501-04830  | .BALL                     | 1    |  |  |  |         |
| 44       | 1WD-F7437-00 | .WASHER, SPECIAL          | 1    |  |  |  |         |
| 45       | 90240-08145  | .PIN, CLEVIS              | 1    |  |  |  |         |
| 46       | 91401-25015  | .PIN, COTTER              | 1    |  |  |  |         |
| 47       | 90110-08071  | BOLT, HEXAGON SOCKET HEAD | 2    |  |  |  |         |
| 48       | 5TP-E4747-00 | DAMPER, MUFFLER           | 1    |  |  |  |         |
| 49       | 90387-08813  | COLLAR                    | 1    |  |  |  |         |





B082300-R330

**FIG. 33 REAR MASTER CYLINDER**

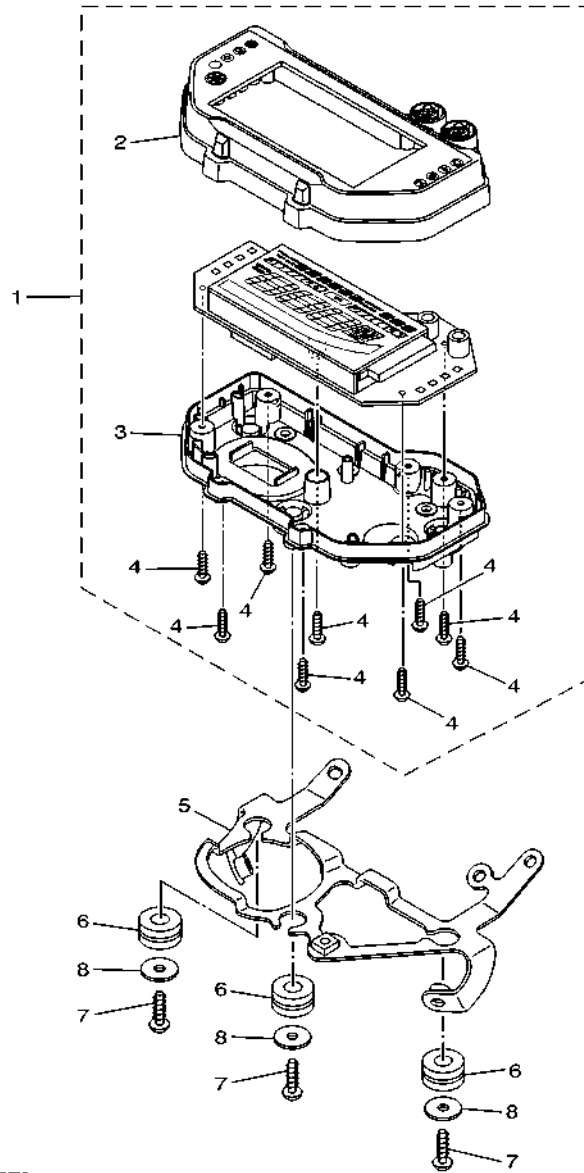
| REF. NO. | PART NO.     | DESCRIPTION                 | BFB2 |  |  |  | REMARKS |
|----------|--------------|-----------------------------|------|--|--|--|---------|
| 1        | 1WD-F580E-00 | REAR MASTER CYLINDER ASSY   | 1    |  |  |  |         |
| 2        | 1WD-F5808-00 | .CYLINDER KIT, MASTER       | 1    |  |  |  |         |
| 3        | 4SS-27218-00 | .NUT                        | 2    |  |  |  |         |
| 4        | 50C-F7222-00 | .JOINT                      | 1    |  |  |  |         |
| 5        | 50C-F582A-50 | .JOINT                      | 1    |  |  |  |         |
| 6        | 50C-F5866-00 | .CIRCLIP                    | 1    |  |  |  |         |
| 7        | 93210-15620  | .O-RING                     | 1    |  |  |  |         |
| 8        | 3KW-27234-00 | .PIN, BRAKE ROD             | 1    |  |  |  |         |
| 9        | 50C-F5894-10 | .TANK, RESERVOIR            | 1    |  |  |  |         |
| 10       | 2VN-F5854-00 | .DIAPHRAGM, RESERVOIR       | 1    |  |  |  |         |
| 11       | 50C-F5855-00 | .BUSH,DIAPHRAGM             | 1    |  |  |  |         |
| 12       | 1WD-F5852-50 | .CAP, RESERVOIR             | 1    |  |  |  |         |
| 13       | 1WD-F5895-50 | .HOSE, RESERVOIR            | 1    |  |  |  |         |
| 14       | 90467-12085  | .CLIP                       | 2    |  |  |  |         |
| 15       | 50C-F589A-00 | .COVER, DUST                | 1    |  |  |  |         |
| 16       | 90240-08124  | PIN, CLEVIS                 | 1    |  |  |  |         |
| 17       | 90201-08083  | WASHER, PLATE               | 1    |  |  |  |         |
| 18       | 91401-20012  | PIN, COTTER                 | 1    |  |  |  |         |
| 19       | 92012-08030  | BOLT, BUTTON HEAD           | 2    |  |  |  |         |
| 20       | 90111-06121  | BOLT, HEXAGON SOCKET BUTTON | 1    |  |  |  |         |
| 21       | B04-F582E-00 | HOLDER, RESERVE TANK        | 1    |  |  |  |         |
| 22       | 2WD-F581K-00 | HOSE, BRAKE 5               | 1    |  |  |  |         |
| 23       | 90401-10812  | BOLT, UNION                 | 2    |  |  |  |         |
| 24       | 90201-10118  | WASHER, PLATE               | 4    |  |  |  |         |
| 25       | 2WD-F582J-00 | HOSE, BRAKE 6               | 1    |  |  |  |         |
| 26       | 90401-10812  | BOLT, UNION                 | 2    |  |  |  |         |
| 27       | 90201-10118  | WASHER, PLATE               | 4    |  |  |  |         |







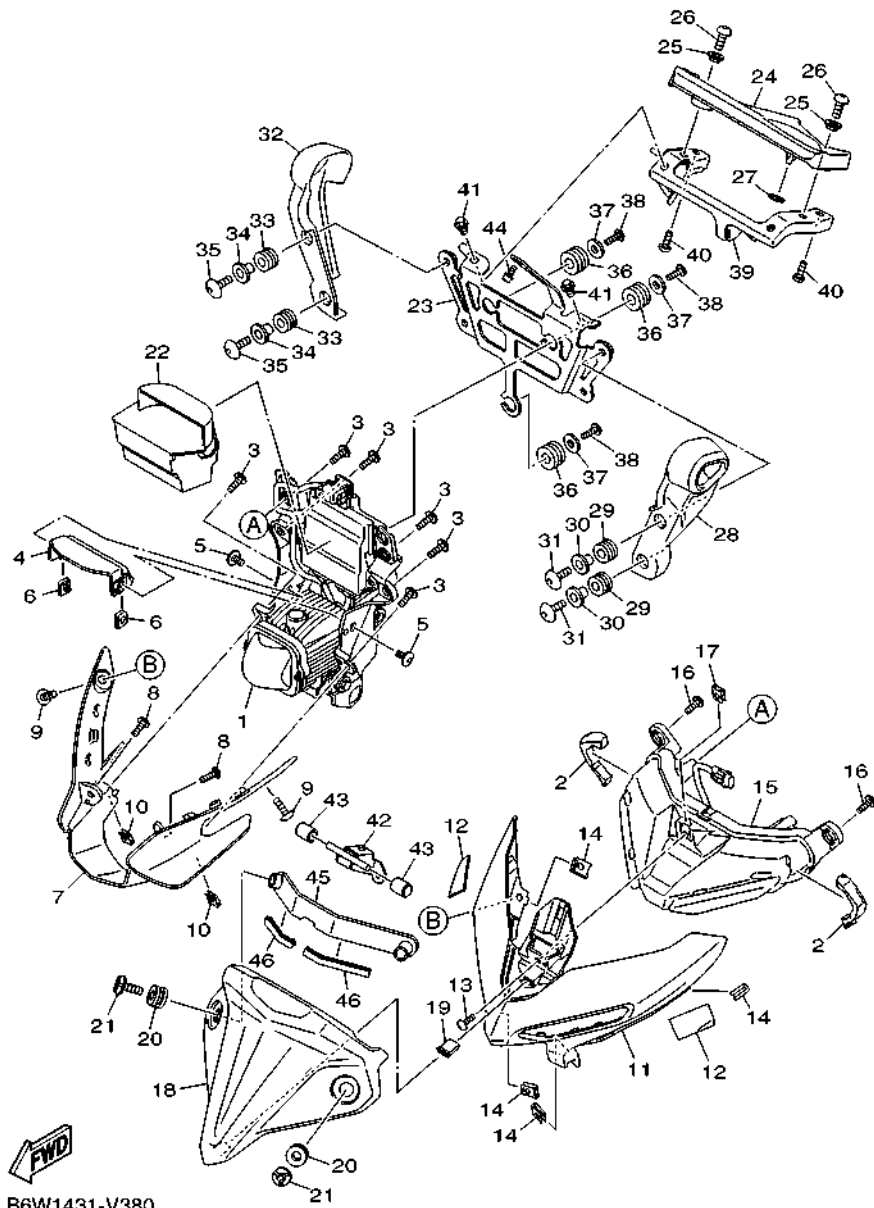




  
B9T1460-V370

**FIG. 37 METER**

| REF. NO. | PART NO.     | DESCRIPTION              | BFB2 | REMARKS |
|----------|--------------|--------------------------|------|---------|
| 1        | BGJ-H3500-01 | METER ASSY               | 1    |         |
| 2        | B5P-H3571-01 | .CASE, SPEEDOMETER UPPER | 1    |         |
| 3        | BS7-H3572-01 | .CASE, SPEEDOMETER LOWER | 1    |         |
| 4        | 97707-30020  | .SCREW, TAPPING          | 9    |         |
| 5        | B9T-H3519-00 | BRACKET, METER           | 1    |         |
| 6        | 90480-14229  | GROMMET                  | 3    |         |
| 7        | 97702-50016  | SCREW, TAPPING           | 3    |         |
| 8        | 90201-05827  | WASHER, PLATE            | 3    |         |



B6W1431-V380

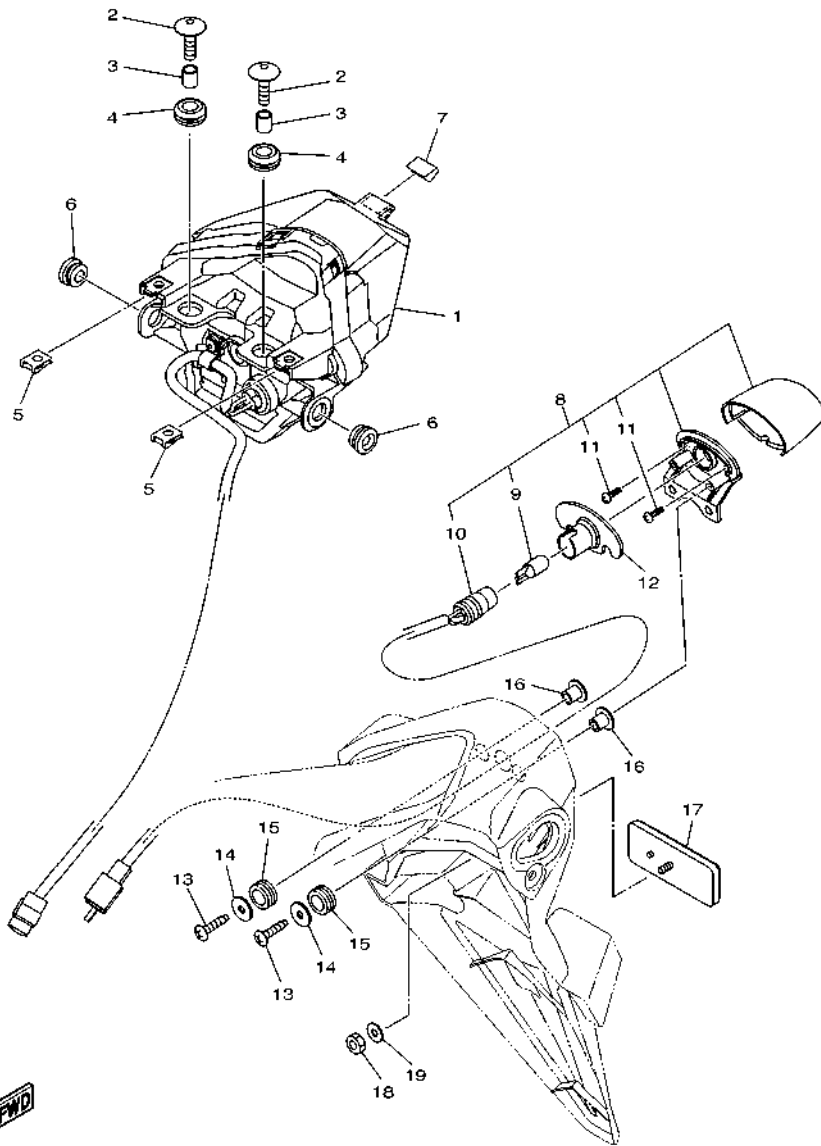
FIG. 38 HEADLIGHT

| REF. NO. | PART NO.        | DESCRIPTION                 | BFB2 | REMARKS      |
|----------|-----------------|-----------------------------|------|--------------|
| 1        | B9T-H4300-00    | HEADLIGHT ASSY              | 1    |              |
| 2        | 90520-10834     | DAMPER, PLATE               | 2    |              |
| 3        | 97707-50016     | SCREW, TRUSS HEAD TAPPING   | 6    |              |
| 4        | B9T-H411E-00    | STAY, HEAD LIGHT INNER      | 1    |              |
| 5        | 90111-05003     | BOLT, HEXAGON SOCKET BUTTON | 2    |              |
| 6        | 90183-05076     | NUT, SPRING                 | 2    |              |
| 7        | B9T-H4144-00    | COVER, HEADLIGHT            | 1    |              |
| 8        | 97707-50016     | SCREW, TRUSS HEAD TAPPING   | 2    |              |
| 9        | 90160-05009     | SCREW, ROUND TAPPING        | 2    |              |
| 10       | 90183-05807     | NUT, SPRING                 | 2    |              |
| 11       | B9T-F831V-00-P5 | STAY, HEAD LIGHT 1          | 1    | UR FOR DBNM8 |
|          | B9T-F831V-00-P3 | STAY, HEAD LIGHT 1          | 1    | UR FOR MDNM8 |
| 12       | 90520-20819     | DAMPER, PLATE               | 2    |              |
| 13       | 90160-05009     | SCREW, ROUND TAPPING        | 1    |              |
| 14       | 90183-05807     | NUT, SPRING                 | 4    |              |
| 15       | B9T-H4410-00    | POSITION LIGHT ASSY 1       | 1    |              |
| 16       | 97707-50016     | SCREW, TRUSS HEAD TAPPING   | 2    |              |
| 17       | 90183-05807     | NUT, SPRING                 | 1    |              |
| 18       | B9T-H4369-00-P4 | COVER 1                     | 1    | UR FOR DBNM8 |
|          | B9T-H4369-00-P1 | COVER 1                     | 1    | UR FOR MDNM8 |
| 19       | 1PA-F411J-00    | DAMPER, SIDE COVER          | 1    |              |
| 20       | 90480-12808     | GROMMET                     | 2    |              |
| 21       | 90111-06870     | BOLT, HEXAGON SOCKET BUTTON | 2    |              |
| 22       | B9T-H4196-00    | COVER, SOCKET               | 1    |              |
| 23       | B9T-F8357-00    | STAY 2                      | 1    |              |
| 24       | B9T-F8345-00    | MOLE 1                      | 1    |              |
| 25       | 90387-06242     | COLLAR                      | 2    |              |



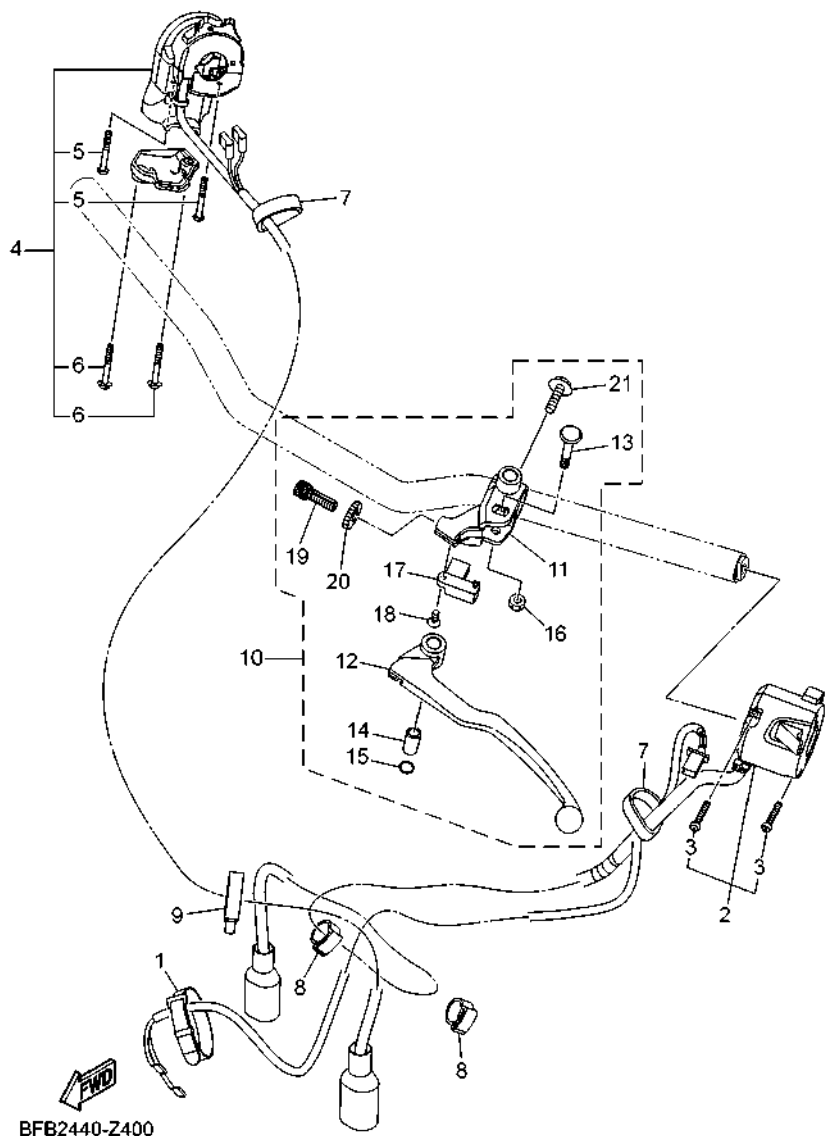


**FIG. 39 TAILLIGHT**



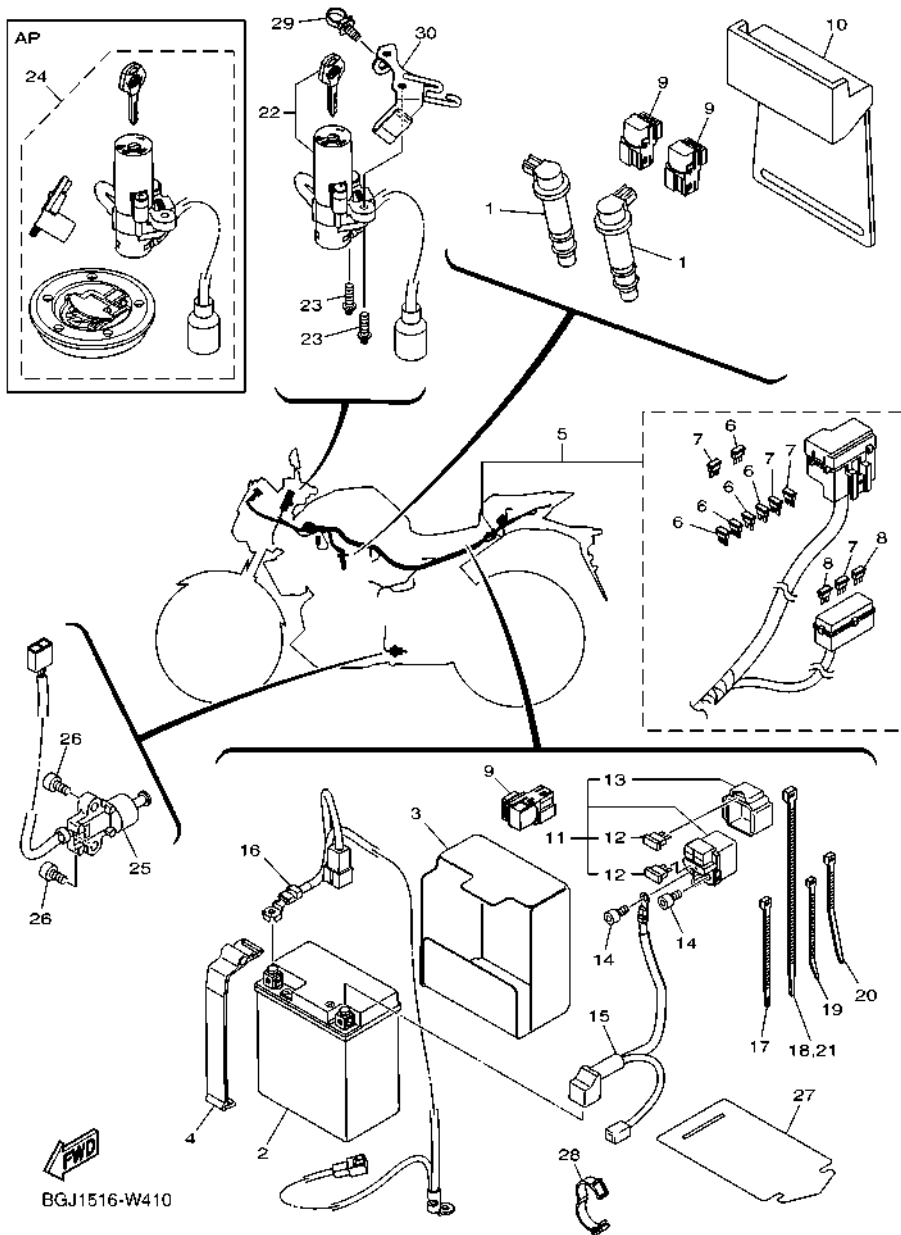
BFB1440-Y390

| REF. NO. | PART NO.     | DESCRIPTION                 | BFB2 |  |  |  | REMARKS |
|----------|--------------|-----------------------------|------|--|--|--|---------|
| 1        | 1WD-H4710-02 | TAILLIGHT UNIT ASSY         | 1    |  |  |  |         |
| 2        | 90111-06117  | BOLT, HEXAGON SOCKET BUTTON | 2    |  |  |  |         |
| 3        | 90387-067V1  | COLLAR                      | 2    |  |  |  |         |
| 4        | 90480-13001  | GROMMET                     | 2    |  |  |  |         |
| 5        | 90183-05807  | NUT, SPRING                 | 2    |  |  |  |         |
| 6        | 90480-10003  | GROMMET                     | 2    |  |  |  |         |
| 7        | 1WD-F1732-00 | SEAL 1                      | 1    |  |  |  |         |
| 8        | BS7-H4740-10 | LICENSE LIGHT ASSY          | 1    |  |  |  |         |
| 9        | 1WD-H4744-00 | .BULB (12V-5W)              | 1    |  |  |  |         |
| 10       | BS7-H4547-00 | .CORD, LICENSE LIGHT        | 1    |  |  |  |         |
| 11       | 1WD-H4726-00 | .SCREW                      | 2    |  |  |  |         |
| 12       | 1WD-H4753-00 | DAMPER                      | 1    |  |  |  |         |
| 13       | 97707-40020  | SCREW, TAPPING              | 2    |  |  |  |         |
| 14       | 90201-04804  | WASHER, PLATE               | 2    |  |  |  |         |
| 15       | 90480-11009  | GROMMET                     | 2    |  |  |  |         |
| 16       | 90387-05042  | COLLAR                      | 2    |  |  |  |         |
| 17       | 3C1-H5130-00 | REAR REFLECTOR ASSY         | 1    |  |  |  |         |
| 18       | 95602-05100  | NUT, U                      | 1    |  |  |  |         |
| 19       | 90201-05043  | WASHER, PLATE               | 1    |  |  |  |         |



**FIG. 40 HANDLE SWITCH & LEVER**

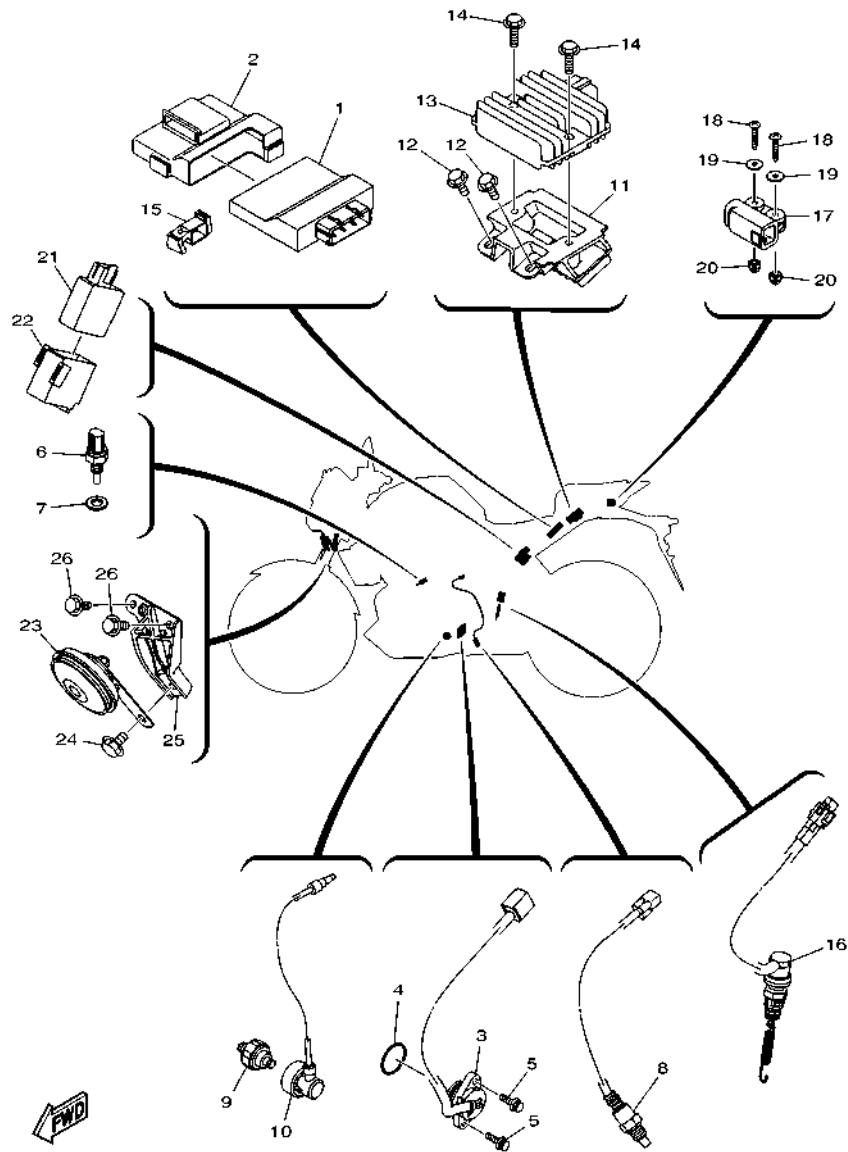
| REF. NO. | PART NO.     | DESCRIPTION              | BFB2 |  |  |  | REMARKS |
|----------|--------------|--------------------------|------|--|--|--|---------|
| 1        | 3AY-H3936-00 | BAND, SWITCH CORD        | 2    |  |  |  |         |
| 2        | B9T-H3972-00 | SWITCH, HANDLE 4         | 1    |  |  |  |         |
| 3        | 98507-04025  | .SCREW, PAN HEAD         | 2    |  |  |  |         |
| 4        | BGJ-H3975-00 | SWITCH, HANDLE 2         | 1    |  |  |  |         |
| 5        | 98507-04030  | .SCREW, PAN HEAD         | 2    |  |  |  |         |
| 6        | 97607-05220  | .SCREW, WITH WASHER      | 2    |  |  |  |         |
| 7        | 3RS-H3936-00 | BAND, SWITCH CORD        | 2    |  |  |  |         |
| 8        | 90464-16003  | CLAMP                    | 3    |  |  |  |         |
| 9        | 90464-30001  | CLAMP                    | 1    |  |  |  |         |
| 10       | 1WD-H2910-00 | LEVER HOLDER ASSY (LEFT) | 1    |  |  |  |         |
| 11       | 1WD-H2911-00 | .HOLDER, LEVER 1         | 1    |  |  |  |         |
| 12       | 1WD-H3912-00 | .LEVER 1                 | 1    |  |  |  |         |
| 13       | 31A-83945-00 | .BOLT, LEVER             | 1    |  |  |  |         |
| 14       | 31A-83913-00 | .COLLAR, LEVER 1         | 1    |  |  |  |         |
| 15       | 93210-108H5  | .O-RING                  | 1    |  |  |  |         |
| 16       | 95602-06100  | .NUT, SELF-LOCKING       | 1    |  |  |  |         |
| 17       | 5BP-H2917-00 | .SWITCH                  | 1    |  |  |  |         |
| 18       | 90151-03005  | .SCREW, COUNTERSUNK      | 1    |  |  |  |         |
| 19       | 90123-08083  | .BOLT                    | 1    |  |  |  |         |
| 20       | 90179-08316  | .NUT                     | 1    |  |  |  |         |
| 21       | 97507-06525  | .BOLT, WITH WASHER       | 1    |  |  |  |         |



**FIG. 41 ELECTRICAL 1**

| REF. NO. | PART NO.     | DESCRIPTION                  | BFB2 | REMARKS |
|----------|--------------|------------------------------|------|---------|
| 1        | B1X-82310-00 | IGNITION COIL ASSY           | 2    |         |
| 2        | 2YD-H2100-00 | BATTERY ASSY (GS GTZ8V)      | 1    |         |
| 3        | 1WD-H2121-00 | PAD, BATTERY                 | 1    |         |
| 4        | 1WD-H2131-00 | BAND, BATTERY                | 1    |         |
| 5        | BGJ-H2590-00 | WIRE HARNESS ASSY            | 1    |         |
| 6        | 1WD-H2151-20 | .FUSE (7.5A BL)              | 5    |         |
| 7        | 1WD-H2151-10 | .FUSE (15A-BL)               | 4    |         |
| 8        | 1WD-H2151-30 | .FUSE (30A)                  | 2    |         |
| 9        | 1WD-H1950-00 | RELAY ASSY                   | 3    |         |
| 10       | BGJ-H252U-00 | COVER                        | 1    |         |
| 11       | 1WD-H1940-00 | STARTER RELAY ASSY           | 1    |         |
| 12       | 1WD-H2151-01 | .FUSE (30A)                  | 2    |         |
| 13       | 1WD-H2155-00 | .BAND                        | 1    |         |
| 14       | 91312-05008  | BOLT, HEXAGON SOCKET HEAD    | 2    |         |
| 15       | 2WD-H2115-01 | WIRE, PLUS LEAD              | 1    |         |
| 16       | B6W-H2116-00 | WIRE, MINUS LEAD             | 1    |         |
| 17       | 90464-36800  | CLAMP                        | 2    |         |
| 18       | 90464-70800  | CLAMP                        | 7    |         |
| 19       | 90464-22800  | CLAMP                        | 1    |         |
| 20       | 90464-36005  | CLAMP                        | 4    |         |
| 21       | 90464-70800  | CLAMP                        | 1    |         |
| 22       | BGJ-H2501-00 | MAIN SWITCH STEERING LOCK    | 1    |         |
| 23       | 90109-060G4  | BOLT                         | 2    |         |
| 24       | BGJ-XH250-00 | MAIN SW. STRG. LOCK SUB ASSY | 1    | AP      |
| 25       | 1WD-H2566-01 | SWITCH, SIDE STAND           | 1    |         |
| 26       | 90110-05809  | BOLT, HEXAGON SOCKET HEAD    | 2    |         |
| 27       | 1WD-H2591-00 | BAND                         | 1    |         |



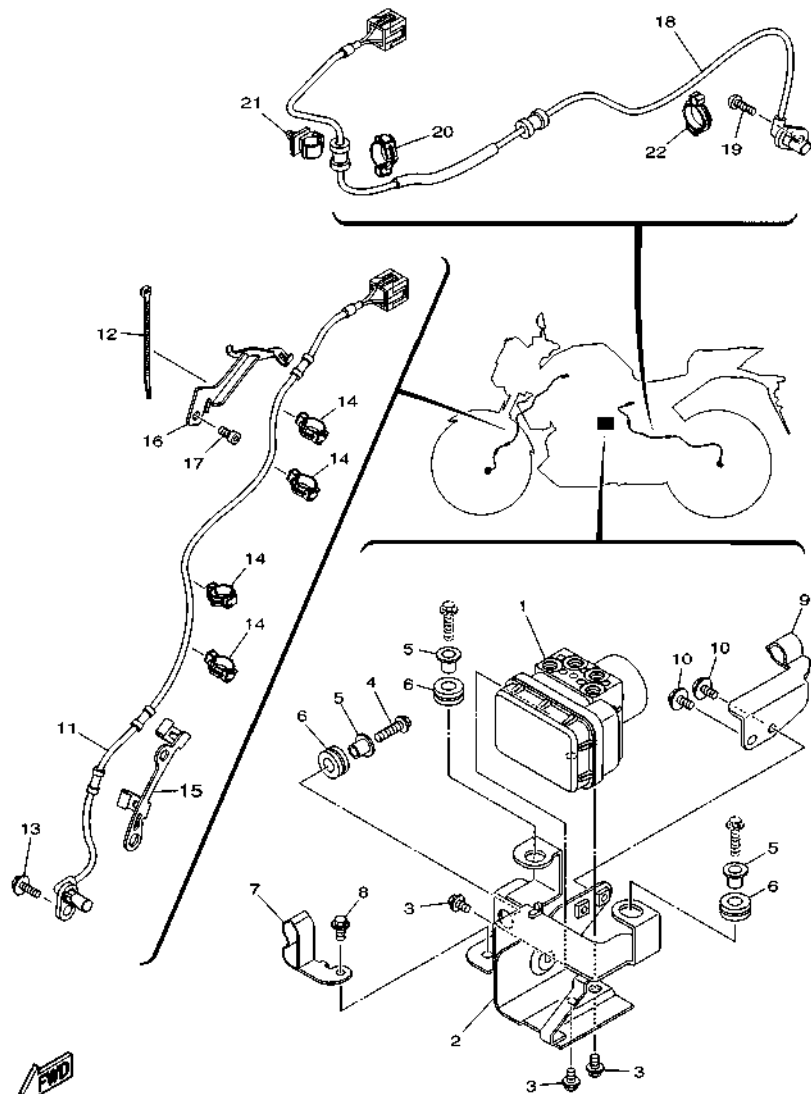


BFB1440-Y420

FIG. 42 ELECTRICAL 2

| REF. NO. | PART NO.     | DESCRIPTION                | BFB2 |  |  | REMARKS |
|----------|--------------|----------------------------|------|--|--|---------|
| 1        | B1X-H591A-20 | ENGINE CONTROL UNIT ASSY   | 1    |  |  |         |
| 2        | B6W-H5546-00 | BAND                       | 1    |  |  |         |
| 3        | 1WD-H2540-00 | NEUTRAL SWITCH ASSY        | 1    |  |  |         |
| 4        | 93210-21801  | O-RING                     | 1    |  |  |         |
| 5        | 90110-05067  | BOLT, HEXAGON SOCKET HEAD  | 2    |  |  |         |
| 6        | 52B-H3591-00 | THERMO UNIT                | 1    |  |  |         |
| 7        | 90430-10804  | GASKET                     | 1    |  |  |         |
| 8        | B1X-H592A-00 | SENSOR, OXYGEN             | 1    |  |  |         |
| 9        | 1WS-82504-00 | OIL PRESSURE SWITCH ASSY   | 1    |  |  |         |
| 10       | 1WD-H1315-02 | LEAD WIRE ASSY             | 1    |  |  |         |
| 11       | BR5-H1961-00 | COVER                      | 1    |  |  |         |
| 12       | 95D02-06016  | BOLT, FLANGE DEEP RECESS   | 2    |  |  |         |
| 13       | 1WD-H1960-00 | RECTIFIER & REGULATOR ASSY | 1    |  |  |         |
| 14       | 95D02-06025  | BOLT, FLANGE DEEP RECESS   | 2    |  |  |         |
| 15       | BR5-H2592-00 | BAND                       | 1    |  |  |         |
| 16       | 1WD-H2530-10 | STOP SWITCH ASSY           | 1    |  |  |         |
| 17       | 1WD-H2576-02 | SENSOR, LEAN ANGLE         | 1    |  |  |         |
| 18       | 90160-04009  | SCREW, ROUND TAPPING       | 2    |  |  |         |
| 19       | 90201-04028  | WASHER, PLATE              | 2    |  |  |         |
| 20       | 4B4-84334-00 | NUT, ADJUSTING             | 2    |  |  |         |
| 21       | B9T-83400-00 | FLASHER CONT. UNIT ASSY    | 1    |  |  |         |
| 22       | B9T-H3836-00 | BAND                       | 1    |  |  |         |
| 23       | B9T-H3371-01 | HORN                       | 1    |  |  |         |
| 24       | 95D07-08012  | BOLT, FLANGE DEEP RECESS   | 1    |  |  |         |
| 25       | 1WD-H3378-00 | STAY, HORN                 | 1    |  |  |         |
| 26       | 95D07-06016  | BOLT, FLANGE DEEP RECESS   | 2    |  |  |         |

FIG. 43 ELECTRICAL 3



B5W2110-V430

| REF. NO. | PART NO.     | DESCRIPTION               | BFB2 |  |  |  | REMARKS |
|----------|--------------|---------------------------|------|--|--|--|---------|
| 1        | B6W-H5930-09 | HYDRAULIC UNIT ASSY       | 1    |  |  |  |         |
| 2        | B1X-F175T-00 | BRACKET 1                 | 1    |  |  |  |         |
| 3        | 95022-06010  | BOLT, FLANGE              | 3    |  |  |  |         |
| 4        | 95022-06025  | BOLT, FLANGE              | 1    |  |  |  |         |
| 5        | 90387-06M60  | COLLAR                    | 3    |  |  |  |         |
| 6        | 90480-14229  | GROMMET                   | 3    |  |  |  |         |
| 7        | 2WD-F5886-00 | HOLDER, BRAKE HOSE        | 1    |  |  |  |         |
| 8        | 95027-06012  | BOLT, FLANGE              | 1    |  |  |  |         |
| 9        | 2WD-F5875-00 | HOLDER, BRAKE HOSE 1      | 1    |  |  |  |         |
| 10       | 95027-06012  | BOLT, FLANGE              | 2    |  |  |  |         |
| 11       | 2WD-85970-01 | WHEEL SENSOR ASSY, FRONT  | 1    |  |  |  |         |
| 12       | 90464-22800  | CLAMP                     | 1    |  |  |  |         |
| 13       | 95027-06016  | BOLT, FLANGE              | 1    |  |  |  |         |
| 14       | 90464-12013  | CLAMP                     | 4    |  |  |  |         |
| 15       | B5L-F3318-00 | WIRE, HOLDER 1            | 1    |  |  |  |         |
| 16       | B6W-F3319-00 | WIRE, HOLDER 2            | 1    |  |  |  |         |
| 17       | 91317-06012  | BOLT, HEXAGON SOCKET HEAD | 1    |  |  |  |         |
| 18       | 2WD-85980-01 | WHEEL SENSOR ASSY, REAR   | 1    |  |  |  |         |
| 19       | 92012-06016  | BOLT, BUTTON HEAD         | 1    |  |  |  |         |
| 20       | 90464-14803  | CLAMP                     | 1    |  |  |  |         |
| 21       | 90464-10800  | CLAMP                     | 1    |  |  |  |         |
| 22       | 90464-14803  | CLAMP                     | 1    |  |  |  |         |

NUMERICAL INDEX

| PART NO.     | REF. NO. | PART NO.     | REF. NO. | PART NO.     | REF. NO. | PART NO.     | REF. NO. | PART NO.     | REF. NO. | PART NO.        | REF. NO. |
|--------------|----------|--------------|----------|--------------|----------|--------------|----------|--------------|----------|-----------------|----------|
| 1WD-11413-00 | 2 - 23   | 1WD-16382-00 | 13 - 19  | 1WD-E111G-00 | 1 - 25   | 5YP-E2675-00 | 6 - 11   | 1WD-E4758-00 | 9 - 3    | 1WD-E7402-00    | 14 - 13  |
| 1WD-11413-10 | 2 - 23   | 1WD-17424-00 | 14 - 28  | 1WD-E1133-00 | 1 - 2    | 1WD-E2681-00 | 5 - 11   | B1X-E475P-00 | 9 - 22   | 1WD-E7411-01    | 14 - 1   |
| 1WD-11413-20 | 2 - 23   | 278-17425-00 | 14 - 12  | BS8-E1181-00 | 1 - 12   | 1WD-E319L-00 | 5 - 9    | 1WD-E4763-00 | 9 - 10   | 1WD-E7411-10    | 14 - 1   |
| 1WD-11413-30 | 2 - 23   |              | 14 - 29  | B1X-E1191-00 | 1 - 16   | B1X-E3300-00 | 7 - 1    | 1WD-E4840-10 | 1 - 31   | 1WD-E7460-00    | 14 - 31  |
| 1WD-11413-40 | 2 - 23   | 1WD-22141-00 | 20 - 2   | B1X-E1193-00 | 1 - 17   | 1WD-E3341-00 | 7 - 3    | 1WD-E4881-00 | 1 - 32   | 1WD-E8101-00    | 16 - 4   |
| B1X-11416-00 | 2 - 10   | 3AH-22222-00 | 22 - 5   | B1X-E1195-00 | 1 - 18   | 1WD-E3342-00 | 7 - 4    | 1WD-E4882-02 | 1 - 34   | B1X-E8110-01    | 16 - 11  |
| B1X-11416-10 | 2 - 10   | 31A-23125-31 | 22 - 12  | 4YS-E1198-00 | 7 - 15   | 1WD-E3410-00 | 7 - 9    | 1WD-E4890-00 | 1 - 20   | 1WD-E8111-00    | 16 - 12  |
| B1X-11416-20 | 2 - 10   |              | 22 - 25  | 1WD-E1311-10 | 1 - 26   | B1X-E3414-00 | 7 - 16   | 1WD-E4899-00 | 1 - 21   | B1X-E8112-00    | 16 - 17  |
| B1X-11416-30 | 2 - 10   | 31A-23149-31 | 22 - 11  | B1X-E1351-00 | 1 - 27   | 1WD-E3415-00 | 7 - 10   | 1WD-E5148-00 | 10 - 4   | 1EG-E8113-02    | 16 - 13  |
| B1X-11416-40 | 2 - 10   |              | 22 - 24  | 1WD-E1361-00 | 1 - 8    | B1X-E3417-01 | 7 - 13   | B1X-E5150-00 | 10 - 1   | 1WD-E8115-00    | 16 - 14  |
| 1WD-11650-00 | 2 - 2    | 3R4-23153-00 | 22 - 9   | 1WD-E1411-10 | 2 - 1    | 1WD-E3440-10 | 7 - 11   | B1X-E5155-00 | 10 - 15  | 1WD-E8127-10    | 16 - 2   |
| 5SL-11654-00 | 2 - 3    |              | 22 - 22  | 1WD-E1454-00 | 2 - 22   | 54P-E3474-00 | 8 - 37   | 1WD-E5362-00 | 5 - 18   | 1WD-E8140-01    | 16 - 8   |
| 1WD-11656-00 | 2 - 5    | 4V4-23188-L0 | 22 - 18  | 1WD-E1496-00 | 2 - 18   | B1X-E3543-00 | 8 - 39   | 2MS-E5373-02 | 8 - 42   | 1WD-E8175-00    | 16 - 3   |
| 1WD-11656-10 | 2 - 5    |              | 22 - 36  | 1WD-E1531-00 | 2 - 15   | 1WD-E3556-00 | 8 - 6    | BS7-E5377-00 | 11 - 21  | 1WD-E8337-00    | 16 - 1   |
| 1WD-11656-20 | 2 - 5    | 3FV-23462-00 | 22 - 39  | 1WD-E1536-00 | 2 - 6    | 1WD-E3573-00 | 8 - 15   | 1WD-E5411-00 | 11 - 1   | 1WD-E8511-00    | 15 - 4   |
| 1WD-11656-30 | 2 - 5    | 3C1-24512-00 | 23 - 23  | 1WD-E1549-00 | 2 - 7    | B1X-E3635-00 | 8 - 1    | 1WD-E5413-10 | 11 - 16  | 1WD-E8512-00    | 15 - 5   |
| B1X-12121-10 | 3 - 2    | 1WD-25181-00 | 26 - 11  | BS8-E1603-00 | 2 - 12   | B1X-E3750-01 | 8 - 3    | 1WD-E5418-00 | 11 - 22  | 1WD-E8513-00    | 15 - 6   |
| 1HX-12168-F0 | 3 - 9    | 1WD-25381-00 | 28 - 21  | B1X-E1631-00 | 2 - 11   | 1WD-E3761-00 | 8 - 4    | B1X-E5421-00 | 5 - 1    | 1WD-E8531-00    | 15 - 7   |
| 1HX-12168-H1 | 3 - 9    | 5MT-25398-00 | 26 - 7   | 1WD-E1633-00 | 2 - 13   | BS7-E3907-01 | 23 - 19  | 1WD-E5441-10 | 11 - 14  | 1WD-E8536-00    | 15 - 9   |
| 1HX-12168-K1 | 3 - 9    |              | 28 - 18  | B1X-E2111-00 | 3 - 1    | 3C1-E3915-00 | 23 - 20  | 1WD-E5451-00 | 11 - 7   | 1WD-E8540-10    | 15 - 1   |
| 1HX-12168-M1 | 3 - 9    | 5MT-25398-10 | 26 - 7   | 1WD-E2113-00 | 3 - 4    | 1WD-E3938-00 | 8 - 14   | 1WD-E5461-00 | 11 - 10  | 5TP-E8542-00    | 15 - 2   |
| 1HX-12168-R1 | 3 - 9    |              | 28 - 18  | 1WD-E2117-00 | 3 - 5    | 1WD-E3971-02 | 23 - 27  | B1X-E5462-00 | 11 - 17  | 1WD-E8562-00    | 15 - 10  |
| 1HX-12168-U1 | 3 - 9    | 5MT-25398-20 | 26 - 7   | 3S0-E2118-00 | 3 - 6    | 54P-E416A-00 | 8 - 13   | 1WD-E5514-00 | 12 - 1   | B04-F1110-01-P1 | 17 - 1   |
| 1HX-12168-W1 | 3 - 9    |              | 28 - 18  | 1PA-E2119-00 | 3 - 8    | 1WD-E4243-00 | 8 - 11   | 1WD-E5515-10 | 12 - 3   | B5L-F113J-00    | 18 - 7   |
| 1HX-12168-Y1 | 3 - 9    | 1WD-25802-00 | 27 - 4   | BS8-E2119-00 | 3 - 7    | BR5-E4411-00 | 8 - 23   | 44D-E5521-00 | 12 - 2   | B5L-F113K-01    | 18 - 8   |
| 1HX-12169-11 | 3 - 9    | 1WD-25802-50 | 29 - 4   | 1WD-E2126-00 | 3 - 3    | B1X-E4412-00 | 8 - 27   | 1WD-E5580-00 | 12 - 4   | 2MS-F115R-00    | 23 - 45  |
| 1HX-12169-31 | 3 - 9    | 1WD-25803-00 | 27 - 5   | 1WD-E2153-11 | 3 - 10   | 1WD-E4422-00 | 8 - 31   | 1WD-E6111-00 | 13 - 1   | 1WD-F1171-00    | 17 - 15  |
| 1HX-12169-50 | 3 - 9    | 1WD-25803-50 | 29 - 5   | B1X-E2170-00 | 4 - 1    | BR5-E4437-00 | 8 - 26   | 1WD-E6150-00 | 13 - 2   | BGJ-F117F-00    | 17 - 20  |
| 1HX-12169-70 | 3 - 9    | 1WD-25805-00 | 27 - 12  | 1WD-E2176-00 | 4 - 3    | 52B-E443E-00 | 8 - 35   | 1WD-E6154-00 | 13 - 3   | 1WD-F117K-00    | 25 - 12  |
| 1HX-12169-90 | 3 - 9    | 1WD-25806-00 | 29 - 15  | B1X-E2180-00 | 4 - 2    | 40D-E443G-00 | 28 - 30  | 1WD-E6181-00 | 13 - 13  | BGJ-F117M-00    | 17 - 22  |
| 1HX-12169-E0 | 3 - 9    | 5RB-25854-00 | 31 - 3   | 1WD-E2213-00 | 4 - 9    | 1WD-E4451-00 | 8 - 34   | 1WD-E6324-00 | 13 - 6   | B1X-F122A-00    | 17 - 25  |
| 1HX-12169-G0 | 3 - 9    | 36Y-2589H-00 | 31 - 5   | 33S-E2223-00 | 5 - 7    | 1WD-E4452-00 | 8 - 28   | 1WD-E6331-00 | 13 - 5   | B04-F122B-00    | 17 - 26  |
| 1HX-12169-J0 | 3 - 9    | 5KN-25926-01 | 29 - 17  | 1WD-E2241-01 | 1 - 23   | 1WD-E4457-00 | 8 - 29   | 1WD-E6333-10 | 13 - 8   | 2MS-F134X-00    | 23 - 46  |
| 1HX-12169-L0 | 3 - 9    | 34X-25937-00 | 29 - 7   | 1WD-E2251-00 | 4 - 11   | 1WD-E4462-00 | 8 - 32   | 1WD-E6337-00 | 13 - 9   | 1WD-F135F-00    | 17 - 12  |
| 1HX-12169-N0 | 3 - 9    | 4SS-27218-00 | 33 - 3   | 1WD-E2252-01 | 4 - 12   | B1X-E4465-00 | 8 - 19   | 1WD-E6340-00 | 13 - 15  | B9T-F137K-00    | 24 - 22  |
| 1HX-12169-T0 | 3 - 9    | 3KW-27234-00 | 33 - 8   | 1WD-E2256-00 | 4 - 14   | 2MS-E4466-00 | 8 - 20   | 1WD-E6350-01 | 13 - 7   | B9T-F137L-00    | 24 - 44  |
| B1X-12210-00 | 4 - 6    | 4BP-27261-00 | 32 - 25  | 1WD-E2405-00 | 6 - 9    | B1X-E4469-00 | 8 - 24   | 1WD-E6356-00 | 13 - 14  | B9T-F137U-00    | 6 - 18   |
| 5PO-12411-01 | 6 - 1    | B1X-82310-00 | 41 - 1   | 1WD-E2413-00 | 6 - 2    | B1X-E446C-00 | 8 - 25   | 1WD-E6371-00 | 13 - 4   | B9T-F137V-00    | 6 - 19   |
| 5NL-12564-00 | 1 - 28   | 1WS-82504-00 | 42 - 9   | 1WD-E2422-00 | 5 - 13   | B04-E449E-00 | 24 - 62  | 1WD-E7121-00 | 14 - 7   | B9T-F137W-00-P5 | 24 - 48  |
| 8GL-13571-00 | 8 - 16   | B9T-83400-00 | 42 - 21  | 1WD-E2428-00 | 5 - 14   | B1X-E4602-00 | 9 - 1    | 1WD-E7131-00 | 14 - 5   | B9T-F137W-00-P7 | 24 - 48  |
| 5JW-14104-00 | 8 - 9    | 31A-83913-00 | 40 - 14  | 1WD-E2450-00 | 5 - 5    | 1WD-E4613-00 | 9 - 17   | 1WD-E7151-01 | 14 - 2   | B9T-F137X-00-P5 | 24 - 55  |
| 8A7-14139-00 | 8 - 8    | 31A-83945-00 | 40 - 13  | 1WD-E2453-00 | 5 - 6    | B1X-E4628-00 | 9 - 21   | 1WD-E7161-01 | 14 - 6   | B9T-F137X-00-P7 | 24 - 55  |
| 5PS-14147-00 | 8 - 5    | 4B4-84334-00 | 42 - 20  | 33S-E2456-00 | 5 - 8    | BR5-E4710-00 | 9 - 2    | 1WD-E7211-00 | 14 - 23  | 1WD-F144G-00    | 32 - 28  |
| 895-14169-00 | 8 - 7    | 1WS-85801-01 | 8 - 12   | B04-E2461-00 | 6 - 8    | 54D-E4714-00 | 9 - 11   | 1WD-E7221-00 | 14 - 14  | BS7-F1511-00-P4 | 18 - 1   |
| 1WS-14335-00 | 8 - 18   | 2WD-85970-01 | 43 - 11  | B04-E2462-10 | 6 - 12   | 1WD-E4715-00 | 9 - 12   | 1WD-E7231-00 | 14 - 18  | BS7-F1511-00-P9 | 18 - 1   |
| 8HG-14534-00 | 8 - 17   | 2WD-85980-01 | 43 - 18  | 1WD-E2577-00 | 6 - 4    | 1WD-E4728-00 | 9 - 6    | 1WD-E7241-00 | 14 - 19  | B04-F1533-00    | 24 - 66  |
| 5VY-1482K-00 | 1 - 19   | B1X-E1102-01 | 1 - 1    | 1WD-E2578-00 | 6 - 5    | 5TP-E4747-00 | 17 - 31  | 1WD-E7251-00 | 14 - 22  | 5BP-F153E-B1    | 18 - 35  |
| 2H7-15361-00 | 5 - 17   | 1WD-E111G-00 | 1 - 15   | 1WD-E2671-00 | 6 - 10   |              | 32 - 48  | 1WD-E7261-00 | 14 - 17  | 5BP-F153E-E1    | 18 - 35  |

NUMERICAL INDEX

| PART NO.        | REF. NO. | PART NO.        | REF. NO. | PART NO.        | REF. NO. | PART NO.        | REF. NO. | PART NO.        | REF. NO. | PART NO.        | REF. NO. |
|-----------------|----------|-----------------|----------|-----------------|----------|-----------------|----------|-----------------|----------|-----------------|----------|
| B9T-F1557-00    | 6 - 20   | 1WD-F193A-00    | 17 - 3   | B9T-F4129-00-P4 | 24 - 7   | 1WD-F5364-00    | 28 - 5   | 5YP-F5917-00    | 29 - 6   | B9T-F8357-00    | 38 - 23  |
| B74-F1568-00    | 24 - 67  | 1WD-F2110-00    | 20 - 1   | B9T-F4129-00-P5 | 24 - 7   | 1WD-F5366-01-98 | 28 - 6   | 1WD-F5919-00    | 29 - 10  | B9T-F8358-00    | 41 - 30  |
| BR5-F1611-01    | 18 - 13  | 1WD-F2129-01    | 20 - 3   | B9T-F412Y-00    | 23 - 5   | 1WD-F5366-01-P4 | 28 - 6   | 1WD-F5919-50    | 29 - 9   | 1PA-F836B-01    | 19 - 59  |
| 1WD-F1617-01    | 18 - 21  | 1WD-F2151-00    | 20 - 7   | B9T-F4139-00-P4 | 24 - 26  | 1WD-F5377-00    | 28 - 9   | 2WD-F5921-50    | 29 - 12  | B9T-F836K-00    | 24 - 50  |
| 1WD-F1621-01    | 18 - 31  | 1WD-F2174-00    | 28 - 27  | B9T-F4139-00-P5 | 24 - 26  | 1WD-F537W-00    | 28 - 11  | 5YP-F5924-50    | 27 - 11  | B9T-F836L-00    | 24 - 57  |
| B1X-F1629-00    | 18 - 20  | 1WD-F2184-00    | 20 - 4   | 1WD-F413B-01    | 24 - 68  | 1WD-F537X-00    | 28 - 12  | 1WD-F5924-50    | 29 - 10  | B9T-F837N-00    | 24 - 54  |
| 1WD-F163A-00    | 18 - 33  | BS7-F2210-20    | 20 - 14  |                 | 24 - 69  | 1WD-F5383-01    | 28 - 23  | 5YP-F5925-01    | 27 - 9   | B9T-F837R-00    | 24 - 61  |
| BR5-F163E-01    | 18 - 18  | 1WD-F2311-01    | 20 - 11  | 5D9-F414G-00    | 17 - 4   | 1PA-F5386-00    | 26 - 10  |                 | 29 - 11  | BGJ-F8385-00-P0 | 19 - 48  |
| B04-F1642-00    | 24 - 65  | 1WD-F248B-00    | 20 - 9   | B04-F414G-00    | 17 - 14  | 1WD-F5386-01    | 28 - 22  | 5YP-F5937-00    | 27 - 7   | B9T-F838N-00    | 24 - 18  |
| 1WD-F1652-00    | 17 - 2   | B9T-F3100-10    | 22 - 1   | 2MS-F4170-00    | 23 - 42  | 1WD-F5388-00    | 28 - 26  | 1WD-F5939-51    | 29 - 13  | B9T-F838R-00    | 24 - 40  |
| B17-F1668-00    | 20 - 17  | B9T-F3102-00    | 22 - 19  | 1DW-F4180-02    | 23 - 35  | 1WD-F539F-00    | 28 - 13  | 1WD-F5939-61    | 29 - 14  | B9T-F8391-50    | 24 - 71  |
| 1WD-F1669-00    | 18 - 14  | B9T-F3103-10    | 22 - 2   | B3M-F4188-00    | 38 - 46  | 1WD-F5443-00    | 28 - 10  | B9T-F6111-00    | 30 - 1   | B9T-F8391-80    | 24 - 71  |
| 1WD-F1688-00    | 18 - 26  | BS7-F3110-00    | 22 - 20  | BS7-F4188-00    | 23 - 2   | 1WD-F5807-00    | 31 - 2   | 2DP-F6240-00    | 30 - 3   | B9T-F8392-50    | 24 - 72  |
| 1WD-F1689-00    | 18 - 27  | BS7-F3111-00    | 22 - 17  | BS7-F4191-01    | 23 - 10  | 1WD-F5808-00    | 33 - 2   | 2DP-F6241-00    | 30 - 2   | B9T-F8392-80    | 24 - 72  |
| 1WD-F16A2-00    | 18 - 17  |                 | 22 - 35  | B9T-F419A-00    | 23 - 54  | 1WD-F580E-00    | 33 - 1   | 1WD-F6246-00    | 30 - 4   | B9T-F83D3-00    | 38 - 28  |
| 1WD-F1711-00-PC | 19 - 1   | BK6-F3117-00    | 22 - 32  | B1X-F419E-00    | 23 - 43  | 1WD-F580U-01    | 27 - 3   | BGJ-F6280-00    | 30 - 11  | B9T-F83D4-00    | 38 - 32  |
| 1WD-F1711-00-PE | 19 - 1   | BS7-F3118-00    | 22 - 33  | B1X-F419F-00    | 23 - 37  | 2WD-F580W-00    | 29 - 3   | BGJ-F6290-00    | 30 - 12  | 1WD-H1315-00    | 42 - 10  |
| B9T-F1712-00    | 19 - 42  | B9T-F3120-10    | 22 - 3   | B9T-F41B1-00-P3 | 24 - 1   | B6W-F6301-01    | 31 - 21  | BGJ-F6301-01    | 30 - 7   | BS7-H1410-00    | 34 - 2   |
| B9T-F171A-00-P4 | 24 - 37  | B9T-F3126-00    | 22 - 14  | B9T-F41B1-00-P4 | 24 - 1   | 2WD-F581K-00    | 33 - 22  | B9T-F6315-00    | 30 - 9   | BR5-H1450-00    | 34 - 1   |
| B9T-F171A-00-P5 | 24 - 37  |                 | 22 - 27  | B04-F4254-C1    | 24 - 70  | 1WD-F581U-01    | 27 - 1   | B9T-F6335-00    | 30 - 6   | 1WD-H1800-03    | 35 - 1   |
| B9T-F171E-00-P3 | 19 - 38  | B9T-F3141-00    | 22 - 6   | B04-F4254-J0    | 24 - 70  | 50C-F582A-50    | 33 - 5   | B74-H1801-00    | 32 - 24  | B74-H1801-01    | 35 - 2   |
| B9T-F171E-00-P4 | 19 - 38  |                 | 22 - 31  | 1WD-F4312-01    | 23 - 28  | B04-F582E-00    | 33 - 21  | 50C-F7222-00    | 33 - 4   | 1WD-H1828-00    | 35 - 4   |
| 1WD-F171L-00    | 19 - 16  | B48-F3144-00    | 22 - 8   | B9T-F4314-00    | 23 - 29  | 2WD-F582J-00    | 33 - 25  | BS8-F7261-00    | 16 - 18  | 4FP-H182L-00    | 35 - 6   |
| 1WD-F171M-00    | 19 - 19  |                 | 22 - 21  | 2MS-F4314-01    | 23 - 33  | 1WD-F582W-00    | 29 - 1   | 1WD-F7311-00    | 32 - 1   | 1WD-H183G-00    | 35 - 5   |
| 1WD-F171N-00    | 19 - 22  | BK6-F3145-00    | 22 - 10  | 2MS-F4315-00    | 23 - 40  | 5TL-F5838-00    | 29 - 18  | B04-F7321-00    | 32 - 2   | 1WD-H1861-00    | 35 - 3   |
| B9T-F171X-00-P3 | 19 - 40  |                 | 22 - 23  | B1X-F4316-00    | 23 - 49  | 1WD-F5852-00    | 31 - 4   | 1WD-F7430-01    | 32 - 32  | 1WD-H1940-00    | 41 - 11  |
| B9T-F171X-00-P4 | 19 - 40  | 2BU-F3158-00    | 22 - 29  | B1X-F4317-00    | 23 - 51  | 1WD-F5852-50    | 33 - 12  | 1WD-F7431-01    | 32 - 33  | 1WD-H1950-00    | 41 - 9   |
| 1WD-F1721-00-PC | 19 - 8   | B9T-F3170-00    | 22 - 28  | 1WD-F4376-00    | 23 - 31  | 2VN-F5854-00    | 33 - 10  | 1WD-F7435-00    | 32 - 11  | 1WD-H1960-00    | 42 - 13  |
| 1WD-F1721-00-PE | 19 - 8   | BK6-F3171-00    | 22 - 13  | B1X-F4421-00    | 23 - 53  | 3C1-F5855-00    | 31 - 7   |                 | 32 - 20  | BR5-H1961-00    | 42 - 11  |
| B9T-F1726-00    | 19 - 45  |                 | 22 - 26  | 3C1-F4486-00    | 23 - 25  | 50C-F5855-00    | 33 - 11  | 1WD-F7437-00    | 32 - 36  | 2YD-H2100-00    | 41 - 2   |
| BS7-F172W-00    | 19 - 31  | 31B-F3181-00    | 22 - 30  | BS7-F4491-00    | 23 - 24  | 50C-F5866-00    | 33 - 6   |                 | 32 - 44  | 2WD-H2115-01    | 41 - 15  |
| 1WD-F1731-00-PA | 19 - 36  | BK6-F319U-00    | 22 - 7   | 3C1-F4519-00    | 23 - 22  | 3RW-F5867-00    | 31 - 6   | 1WD-F7440-01    | 32 - 40  | B6W-H2116-00    | 41 - 16  |
| 1WD-F1731-00-PC | 19 - 36  | BK6-F330G-00    | 22 - 4   | 1WD-F4710-03    | 25 - 1   | 1WD-F5870-00    | 31 - 1   | 1WD-F7441-01    | 32 - 41  | 1WD-H2121-00    | 41 - 3   |
| 1WD-F1732-00    | 39 - 7   | B5L-F3318-00    | 43 - 15  | 1WD-F4711-01    | 25 - 2   | B6W-F5872-00    | 31 - 17  | 1WD-F7442-01    | 32 - 9   | 5D9-H2126-00    | 23 - 3   |
| BEV-F173E-20    | 19 - 60  | B6W-F3319-00    | 43 - 16  | 3C1-F4741-00    | 25 - 6   | 2WD-F5873-01    | 31 - 24  | 1WD-F7443-00    | 32 - 18  | 1WD-H2131-00    | 41 - 4   |
| B9T-F173E-50    | 19 - 60  | BK6-F332K-00    | 22 - 15  | 5BP-F4741-00    | 25 - 3   | B5L-F5874-00    | 31 - 27  | 1WD-F7445-00    | 32 - 15  | 5TL-H2131-00    | 25 - 16  |
| BEV-F173F-20    | 19 - 61  | BS7-F3340-00    | 22 - 38  | 1WD-F4750-01    | 25 - 5   | 2WD-F5875-00    | 43 - 9   | 1WD-F7446-00    | 32 - 31  | 1WD-H2151-01    | 41 - 12  |
| B9T-F173F-50    | 19 - 61  | B08-F334G-00    | 38 - 42  | 1WD-F4780-00    | 25 - 7   | B5L-F587A-00    | 31 - 35  | 1WD-F7451-00    | 32 - 10  | 1WD-H2151-10    | 41 - 7   |
| B1X-F175T-00    | 43 - 2   | BS7-F334M-00    | 22 - 37  | 1WD-F478E-00    | 25 - 10  | 2WD-F5886-00    | 43 - 7   | 1WD-F7461-00    | 32 - 19  | 1WD-H2151-20    | 41 - 6   |
| B9T-F175T-00    | 6 - 21   | BK6-F3357-00    | 22 - 34  | 1WD-F4792-00    | 25 - 8   | 2WD-F5887-00    | 33 - 28  | B9T-F8100-00    | 25 - 15  | 1WD-H2151-30    | 41 - 8   |
| B9T-F175U-00    | 6 - 22   | BK6-F3393-00    | 22 - 16  | 2MS-F483H-00    | 23 - 44  | B6W-F5887-00    | 31 - 34  | 31B-F8307-00    | 19 - 15  | 1WD-H2155-00    | 41 - 13  |
| 45P-F1778-00    | 6 - 29   | 5BP-F3416-10    | 21 - 2   | 1WD-F510C-01    | 26 - 2   | 2WD-F588F-00    | 31 - 15  | B9T-F831V-00-P3 | 38 - 11  | BGJ-H2501-00    | 41 - 22  |
| 1WD-F1816-02    | 19 - 28  | 5BP-F3418-00    | 21 - 5   | BS7-F5168-10-98 | 26 - 1   | 2WD-F588G-01    | 31 - 30  | B9T-F831V-00-P5 | 38 - 11  | BGJ-H252U-00    | 41 - 10  |
| 1WD-F1817-02    | 19 - 29  | B9T-F3435-00    | 21 - 6   | BS7-F5168-10-P1 | 26 - 1   | 50C-F5894-10    | 33 - 9   | BGJ-F833E-00    | 19 - 57  | 1WD-H2530-10    | 42 - 16  |
| 3C1-F1828-00    | 19 - 27  | B04-F3441-00-P2 | 21 - 10  | 2DP-F517G-00    | 26 - 8   | 1WD-F5895-50    | 33 - 13  | BGJ-F833F-00    | 19 - 49  | 1WD-H2540-00    | 42 - 3   |
| 1WD-F1871-01    | 19 - 24  | B9T-F3442-00    | 21 - 13  |                 | 28 - 19  | 50C-F589A-00    | 33 - 15  | BGJ-F833G-00    | 19 - 50  | 1WD-H2566-01    | 41 - 25  |
| 1WD-F1875-01    | 19 - 26  | BS7-F4110-00    | 23 - 1   | BS7-F5338-10-98 | 28 - 1   | 1WD-F5914-50    | 29 - 16  | B9T-F8345-00    | 38 - 24  | 1WD-H2576-02    | 42 - 17  |
| 1WD-F191B-00    | 17 - 6   | 1PA-F411J-00    | 38 - 19  | BS7-F5338-10-P1 | 28 - 1   | 5YP-F5917-00    | 27 - 8   | B9T-F8356-00    | 38 - 39  | BGJ-H2590-00    | 41 - 5   |



NUMERICAL INDEX

| PART NO.        | REF. NO. | PART NO.     | REF. NO. | PART NO.    | REF. NO. | PART NO.    | REF. NO. | PART NO.    | REF. NO. | PART NO.    | REF. NO. |
|-----------------|----------|--------------|----------|-------------|----------|-------------|----------|-------------|----------|-------------|----------|
| 1WD-H2591-00    | 41 - 27  | BS7-WF461-00 | 23 - 15  | 90111-05018 | 18 - 25  | 90179-10805 | 17 - 11  | 90201-10118 | 31 - 26  | 90340-12808 | 7 - 14   |
| BR5-H2592-00    | 42 - 15  | 1WD-WF479-00 | 25 - 11  | 90111-05021 | 18 - 22  | 90179-20013 | 14 - 33  |             | 31 - 29  | 90340-18002 | 1 - 4    |
| 1WD-H2910-00    | 40 - 10  | BGJ-XH250-00 | 41 - 24  | 90111-05056 | 24 - 38  | 90179-25615 | 21 - 3   |             | 33 - 24  | 90340-27008 | 10 - 13  |
| 1WD-H2911-00    | 40 - 11  | 90105-06027  | 1 - 3    | 90111-06013 | 32 - 16  | 90183-05076 | 18 - 16  |             | 33 - 27  | 90340-32819 | 11 - 5   |
| 5BP-H2917-00    | 40 - 17  |              | 7 - 8    | 90111-06029 | 38 - 26  |             | 24 - 15  | 90201-10119 | 7 - 6    | 90387-05042 | 39 - 16  |
| BGJ-H330A-00    | 36 - 1   | 90105-07800  | 4 - 4    | 90111-06086 | 38 - 31  |             | 24 - 34  | 90201-10843 | 13 - 16  | 90387-06130 | 6 - 23   |
| B1X-H330A-10    | 36 - 3   | 90105-088F7  | 10 - 6   |             | 38 - 35  |             | 38 - 6   | 90201-10845 | 1 - 9    | 90387-06242 | 20 - 12  |
| B1X-H330B-00    | 36 - 4   | 90105-088F8  | 2 - 16   | 90111-06117 | 19 - 51  | 90183-050A7 | 18 - 23  | 90201-10848 | 2 - 9    |             | 38 - 25  |
| BGJ-H330B-00    | 36 - 2   | 90105-088G0  | 10 - 7   |             | 39 - 2   |             | 19 - 4   |             | 34 - 5   | 90387-06273 | 9 - 8    |
| B9T-H3371-01    | 42 - 23  | 90105-088G7  | 9 - 19   | 90111-06119 | 20 - 13  |             | 19 - 11  | 90201-10854 | 17 - 8   | 90387-064W3 | 6 - 16   |
| 1WD-H3378-00    | 42 - 25  | 90105-106A7  | 32 - 5   | 90111-06121 | 33 - 20  | 90183-05807 | 19 - 3   | 90201-127E1 | 16 - 7   | 90387-066J9 | 18 - 28  |
| BGJ-H3500-01    | 37 - 1   | 90105-10883  | 2 - 8    | 90111-06137 | 18 - 2   |             | 19 - 10  | 90201-16812 | 2 - 19   | 90387-067V1 | 39 - 3   |
| B9T-H3519-00    | 37 - 5   |              | 34 - 4   | 90111-06151 | 6 - 24   |             | 19 - 39  | 90201-17809 | 28 - 25  | 90387-06857 | 19 - 25  |
| B5P-H3571-01    | 37 - 2   | 90105-10889  | 17 - 9   | 90111-06802 | 9 - 4    |             | 19 - 41  | 90201-20023 | 14 - 32  | 90387-06899 | 18 - 4   |
| BS7-H3572-01    | 37 - 3   | 90105-10891  | 17 - 10  | 90111-06847 | 9 - 9    |             | 24 - 6   | 90201-20276 | 14 - 25  |             | 18 - 10  |
| 52B-H3591-00    | 42 - 6   | 90105-12093  | 20 - 15  |             | 18 - 5   |             | 24 - 8   | 90201-22013 | 13 - 12  |             | 19 - 6   |
| B9T-H3836-00    | 42 - 22  | 90105-12309  | 20 - 8   | 90111-06860 | 9 - 23   |             | 24 - 21  | 90202-05180 | 24 - 39  |             | 19 - 13  |
| 1WD-H3912-00    | 40 - 12  | 90105-14102  | 21 - 8   | 90111-06870 | 38 - 21  |             | 24 - 27  | 90202-26142 | 21 - 4   |             | 19 - 52  |
| 1WD-H3922-00    | 31 - 8   | 90109-05003  | 18 - 32  | 90111-08087 | 27 - 2   |             | 24 - 43  | 90206-14001 | 16 - 19  |             | 24 - 3   |
| 3AY-H3936-00    | 40 - 1   | 90109-060G4  | 41 - 23  |             | 29 - 2   |             | 24 - 49  | 90209-25011 | 14 - 15  |             | 24 - 10  |
| 3RS-H3936-00    | 40 - 7   | 90109-063F1  | 18 - 15  | 90116-10065 | 28 - 14  |             | 24 - 53  | 90214-22008 | 14 - 3   |             | 24 - 29  |
| B9T-H3972-00    | 40 - 2   | 90109-06577  | 31 - 10  | 90119-05020 | 24 - 17  |             | 24 - 56  |             | 14 - 20  |             | 38 - 30  |
| BGJ-H3975-00    | 40 - 4   | 90109-06898  | 1 - 14   |             | 24 - 36  |             | 24 - 60  | 90215-18800 | 13 - 10  |             | 38 - 34  |
| 2DP-H3980-01    | 31 - 11  | 90109-06899  | 1 - 24   | 90119-06209 | 17 - 21  |             | 38 - 10  | 90240-08124 | 33 - 16  | 90387-068L9 | 18 - 29  |
| B9T-H411E-00    | 38 - 4   | 90109-068B2  | 24 - 5   |             | 17 - 23  |             | 38 - 14  | 90240-08145 | 32 - 13  | 90387-068M3 | 23 - 7   |
| B9T-H4144-00    | 38 - 7   | 90109-085G6  | 32 - 17  | 90119-06309 | 24 - 4   |             | 38 - 17  |             | 32 - 22  | 90387-068N4 | 9 - 14   |
| B9T-H4196-00    | 38 - 22  |              | 32 - 30  | 90119-06810 | 19 - 7   |             | 39 - 5   |             | 32 - 37  | 90387-068S8 | 23 - 12  |
| B9T-H4300-00    | 38 - 1   | 90110-05032  | 11 - 2   |             | 19 - 14  | 90183-05M02 | 24 - 52  |             | 32 - 45  | 90387-06M60 | 43 - 5   |
| B9T-H4369-00-P1 | 38 - 18  | 90110-05067  | 42 - 5   | 90123-08083 | 40 - 19  |             | 24 - 59  | 90269-05008 | 23 - 36  | 90387-07819 | 17 - 17  |
| B9T-H4369-00-P4 | 38 - 18  | 90110-05806  | 23 - 16  | 90149-05029 | 26 - 9   |             | 38 - 27  | 90269-06816 | 6 - 26   | 90387-08813 | 17 - 30  |
| B9T-H4410-00    | 38 - 15  | 90110-05809  | 41 - 26  |             | 28 - 20  | 90183-06011 | 9 - 16   |             | 18 - 19  |             | 32 - 49  |
| 2SN-H4527-00    | 38 - 43  | 90110-06087  | 24 - 11  | 90149-10044 | 27 - 13  | 90183-06818 | 9 - 5    |             | 18 - 34  | 90387-09801 | 19 - 54  |
| BS7-H4547-00    | 39 - 10  |              | 24 - 30  | 90151-03005 | 40 - 18  |             | 17 - 19  |             | 19 - 2   | 90387-10010 | 32 - 6   |
| B9T-H454L-00    | 38 - 45  | 90110-06161  | 4 - 13   | 90159-06054 | 25 - 13  | 90201-04028 | 42 - 19  |             | 19 - 9   | 90387-10107 | 24 - 14  |
| 1WD-H4710-02    | 39 - 1   |              | 4 - 15   | 90160-04009 | 42 - 18  | 90201-04804 | 39 - 14  |             | 19 - 18  |             | 24 - 33  |
| 1WD-H4726-00    | 39 - 11  |              | 10 - 16  | 90160-05009 | 24 - 19  | 90201-05036 | 38 - 37  |             | 19 - 21  | 90387-17810 | 28 - 2   |
| BS7-H4740-10    | 39 - 8   |              | 12 - 5   |             | 24 - 25  | 90201-05043 | 39 - 19  |             | 23 - 48  | 90387-20814 | 14 - 24  |
| 1WD-H4744-00    | 39 - 9   | 90110-06177  | 34 - 3   |             | 24 - 41  | 90201-05827 | 37 - 8   |             | 24 - 20  | 90388-10816 | 17 - 5   |
| 1WD-H4753-00    | 39 - 12  | 90110-06178  | 11 - 15  |             | 24 - 47  | 90201-06072 | 6 - 15   |             | 24 - 42  |             | 21 - 7   |
| 2FC-H5111-00    | 18 - 11  | 90110-06182  | 15 - 11  |             | 38 - 9   | 90201-06088 | 9 - 15   | 90269-07012 | 6 - 25   | 90401-10812 | 31 - 18  |
| 3C1-H5130-00    | 39 - 17  | 90110-06865  | 38 - 44  |             | 38 - 13  | 90201-06380 | 19 - 33  | 90269-07076 | 24 - 63  |             | 31 - 22  |
| B6W-H5546-00    | 42 - 2   | 90110-06870  | 1 - 10   | 90160-05012 | 6 - 27   | 90201-08083 | 33 - 17  | 90269-09001 | 24 - 64  |             | 31 - 25  |
| BS7-H5752-00    | 23 - 21  | 90110-08071  | 32 - 39  | 90160-05810 | 19 - 37  | 90201-08612 | 9 - 20   | 90280-05013 | 34 - 6   |             | 31 - 28  |
| B1X-H591A-20    | 42 - 1   |              | 32 - 47  | 90170-06023 | 16 - 15  | 90201-10021 | 16 - 20  | 90282-04036 | 2 - 17   |             | 33 - 23  |
| B1X-H592A-00    | 42 - 8   | 90111-05003  | 19 - 32  | 90170-18221 | 13 - 11  |             | 32 - 26  | 90338-06018 | 6 - 28   |             | 33 - 26  |
| B6W-H5930-09    | 43 - 1   |              | 19 - 43  | 90176-06065 | 31 - 33  | 90201-10074 | 21 - 15  | 90338-06810 | 21 - 12  | 90401-20011 | 7 - 12   |
| 4C9-W0048-00    | 27 - 6   |              | 19 - 46  | 90179-07652 | 2 - 4    | 90201-10118 | 31 - 19  | 90338-16262 | 10 - 2   | 90413-06031 | 8 - 21   |
| 5YP-W0048-50    | 29 - 8   |              | 38 - 5   | 90179-08316 | 40 - 20  |             | 31 - 23  | 90338-23801 | 17 - 13  | 90430-06014 | 4 - 8    |

NUMERICAL INDEX

| PART NO.    | REF. NO. | PART NO.    | REF. NO. | PART NO.    | REF. NO. | PART NO.    | REF. NO. | PART NO.    | REF. NO. | PART NO.    | REF. NO. |
|-------------|----------|-------------|----------|-------------|----------|-------------|----------|-------------|----------|-------------|----------|
| 90430-06014 | 5 - 15   | 90480-01559 | 24 - 16  | 91312-05010 | 30 - 8   | 93317-11295 | 16 - 9   | 95027-08035 | 9 - 13   | 97702-50016 | 24 - 28  |
|             | 10 - 12  |             | 24 - 24  | 91312-06010 | 5 - 12   | 93320-32403 | 20 - 5   | 95302-06600 | 16 - 16  |             | 25 - 14  |
| 90430-08119 | 1 - 6    |             | 24 - 35  | 91317-06012 | 43 - 17  | 93399-99932 | 22 - 40  | 95302-08600 | 28 - 29  |             | 37 - 7   |
| 90430-08143 | 11 - 4   |             | 24 - 46  | 91317-06020 | 30 - 5   | 93399-999Y3 | 21 - 1   | 95602-05100 | 39 - 18  | 97702-50025 | 8 - 30   |
| 90430-10804 | 42 - 7   | 90480-01806 | 23 - 18  | 91317-08025 | 21 - 11  | 93440-24200 | 14 - 4   | 95602-06100 | 31 - 9   | 97707-30020 | 37 - 4   |
| 90445-217G3 | 32 - 8   | 90480-10003 | 39 - 6   | 91317-08030 | 21 - 9   |             | 14 - 21  |             | 40 - 16  | 97707-30505 | 6 - 13   |
| 90450-28001 | 6 - 7    | 90480-11009 | 39 - 15  | 91317-10020 | 17 - 27  | 93440-28184 | 14 - 16  | 95602-06200 | 18 - 30  | 97707-40020 | 39 - 13  |
| 90450-52801 | 8 - 2    | 90480-12581 | 9 - 7    | 91317-10040 | 22 - 41  | 93440-52009 | 14 - 9   | 95602-10200 | 28 - 15  | 97707-50016 | 18 - 24  |
| 90462-08806 | 11 - 20  | 90480-12808 | 18 - 3   | 91317-10045 | 17 - 28  | 93450-16068 | 2 - 14   |             | 32 - 7   |             | 19 - 17  |
| 90462-08810 | 7 - 18   |             | 18 - 9   | 91317-10060 | 17 - 7   | 93501-04830 | 32 - 35  | 95602-12100 | 20 - 10  |             | 19 - 20  |
| 90462-08819 | 11 - 19  |             | 19 - 5   | 91332-06020 | 1 - 22   |             | 32 - 43  |             | 20 - 16  |             | 19 - 23  |
| 90464-08008 | 19 - 58  |             | 19 - 12  | 91401-20012 | 33 - 18  | 93605-10090 | 2 - 21   | 95602-14200 | 20 - 6   |             | 24 - 23  |
| 90464-10800 | 43 - 21  |             | 19 - 53  | 91401-25015 | 32 - 14  | 93900-00828 | 26 - 6   |             | 26 - 12  |             | 24 - 45  |
| 90464-12013 | 43 - 14  |             | 24 - 2   |             | 32 - 23  |             | 28 - 17  | 95602-16200 | 28 - 24  |             | 24 - 51  |
| 90464-12015 | 17 - 24  |             | 24 - 12  |             | 32 - 38  | 94111-17801 | 26 - 5   | 95607-08200 | 9 - 24   |             | 24 - 58  |
| 90464-14803 | 43 - 20  |             | 24 - 31  |             | 32 - 46  | 94114-17802 | 28 - 16  | 95607-10100 | 21 - 14  |             | 38 - 3   |
|             | 43 - 22  |             | 38 - 20  | 92012-06014 | 38 - 40  | 94568-H3112 | 28 - 31  | 95612-08625 | 1 - 7    |             | 38 - 8   |
| 90464-15014 | 23 - 38  |             | 38 - 29  | 92012-06016 | 43 - 19  | 94568-K0118 | 4 - 5    | 95702-05500 | 18 - 12  |             | 38 - 16  |
| 90464-16003 | 40 - 8   |             | 38 - 33  | 92012-08030 | 33 - 19  | 94700-00436 | 1 - 11   | 95702-06500 | 18 - 6   |             | 38 - 38  |
| 90464-16006 | 23 - 55  | 90480-13001 | 39 - 4   | 92014-08012 | 11 - 3   | 95022-06008 | 4 - 7    | 95707-06500 | 25 - 9   | 98502-06012 | 8 - 10   |
| 90464-16012 | 23 - 32  | 90480-13398 | 17 - 16  | 92902-08600 | 13 - 20  | 95022-06010 | 43 - 3   | 95707-08500 | 9 - 18   | 98507-04025 | 40 - 3   |
| 90464-22800 | 41 - 19  | 90480-14004 | 38 - 36  |             | 28 - 28  | 95022-06012 | 19 - 56  | 95802-06010 | 30 - 10  | 98507-04030 | 40 - 5   |
|             | 43 - 12  | 90480-14229 | 37 - 6   | 92907-10600 | 17 - 29  |             | 25 - 4   |             | 32 - 29  | 98902-05020 | 8 - 33   |
| 90464-26001 | 41 - 28  |             | 43 - 6   | 93101-20802 | 14 - 11  |             | 38 - 41  | 95807-06014 | 19 - 34  | 99002-07600 | 13 - 21  |
| 90464-30001 | 40 - 9   | 90480-15807 | 23 - 11  |             | 14 - 27  | 95022-06014 | 17 - 18  | 95812-06020 | 4 - 10   | 99009-08400 | 5 - 10   |
| 90464-30009 | 33 - 30  | 90480-15808 | 6 - 17   | 93102-12891 | 16 - 10  | 95022-06020 | 6 - 3    | 95812-06035 | 10 - 8   | 99009-10400 | 7 - 5    |
|             | 41 - 29  | 90480-17007 | 24 - 13  | 93102-15801 | 5 - 4    |             | 31 - 16  | 95812-06045 | 10 - 9   |             | 13 - 17  |
| 90464-36005 | 41 - 20  |             | 24 - 32  | 93102-35808 | 14 - 30  |             | 31 - 20  | 95812-06065 | 10 - 10  | 99009-12400 | 16 - 6   |
| 90464-36800 | 41 - 17  | 90480-18418 | 19 - 55  | 93106-23002 | 28 - 4   | 95022-06025 | 5 - 16   | 95812-08070 | 10 - 11  | 99009-15500 | 7 - 2    |
| 90464-70800 | 41 - 18  | 90480-18813 | 23 - 6   | 93106-26815 | 26 - 3   |             | 7 - 17   | 95817-06012 | 23 - 9   | 99530-08012 | 7 - 7    |
|             | 41 - 21  | 90501-06022 | 15 - 3   | 93106-38046 | 28 - 8   |             | 11 - 9   | 95817-10025 | 32 - 3   |             | 11 - 8   |
| 90467-08003 | 19 - 30  | 90501-080A2 | 15 - 8   | 93210-068F7 | 10 - 17  |             | 11 - 12  | 95827-06025 | 6 - 14   |             | 11 - 11  |
| 90467-09006 | 8 - 22   | 90501-12743 | 32 - 34  | 93210-108H5 | 40 - 15  |             | 11 - 18  | 95D02-06012 | 31 - 14  | 99530-10014 | 10 - 5   |
|             | 23 - 34  |             | 32 - 42  | 93210-12803 | 10 - 3   |             | 11 - 23  | 95D02-06016 | 42 - 12  | 99530-14016 | 1 - 13   |
|             | 23 - 41  | 90501-22800 | 2 - 20   | 93210-15620 | 33 - 7   |             | 24 - 73  | 95D02-06025 | 42 - 14  |             | 1 - 30   |
|             | 23 - 50  | 90506-23812 | 32 - 4   | 93210-16716 | 1 - 29   |             | 35 - 7   | 95D07-06016 | 42 - 26  |             |          |
| 90467-11009 | 23 - 52  | 90506-26807 | 32 - 27  | 93210-21801 | 42 - 4   |             | 43 - 4   | 95D07-08012 | 42 - 24  |             |          |
| 90467-110A3 | 8 - 36   | 90508-18136 | 13 - 18  | 93210-27807 | 5 - 19   | 95022-06050 | 11 - 13  | 95D32-06010 | 8 - 38   |             |          |
| 90467-12052 | 8 - 41   | 90508-183B9 | 32 - 12  | 93210-32172 | 10 - 14  | 95022-08012 | 1 - 5    | 95D37-06014 | 33 - 29  |             |          |
| 90467-12085 | 33 - 14  |             | 32 - 21  | 93210-32816 | 11 - 6   | 95022-08014 | 23 - 14  | 97012-06020 | 16 - 21  |             |          |
| 90467-13802 | 8 - 40   | 90508-29806 | 16 - 5   | 93306-20314 | 28 - 3   | 95027-06012 | 31 - 31  | 97022-06030 | 23 - 8   |             |          |
|             | 8 - 43   | 90520-02843 | 23 - 4   | 93306-255Y9 | 14 - 8   |             | 31 - 32  |             | 23 - 13  |             |          |
| 90467-15012 | 23 - 30  | 90520-10834 | 38 - 2   | 93306-302X4 | 26 - 4   |             | 43 - 8   | 97507-06525 | 40 - 21  |             |          |
| 90467-16800 | 1 - 36   | 90520-20819 | 38 - 12  | 93306-30450 | 28 - 7   |             | 43 - 10  | 97602-04212 | 31 - 12  |             |          |
| 90467-16801 | 1 - 33   | 90560-06244 | 19 - 35  | 93311-420Y3 | 14 - 10  | 95027-06016 | 23 - 47  | 97607-05220 | 40 - 6   |             |          |
|             | 1 - 35   | 91312-05008 | 41 - 14  |             | 14 - 26  |             | 43 - 13  | 97702-50016 | 19 - 44  |             |          |
| 90467-250A1 | 6 - 6    | 91312-05010 | 23 - 17  | 93315-21570 | 5 - 3    | 95027-06025 | 31 - 13  |             | 19 - 47  |             |          |
| 90480-01558 | 17 - 32  |             | 23 - 26  | 93317-11096 | 5 - 2    | 95027-08012 | 23 - 39  |             | 24 - 9   |             |          |