

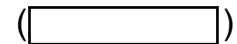


PARTS CATALOGUE

LNS125 (BF41) MALAYSIA



1SBF4-440E1



LNS125
PARTS CATALOGUE
©2016 by Yamaha Motor Co., Ltd.
1st edition, November 2016
All rights reserved.
Any reprinting or unauthorized use
without the written permission of
Yamaha Motor Co., Ltd.
is expressly prohibited.
Printed in Japan.

FOREWORD

This Parts Catalogue is related to the parts for the model(s) on the cover page. When you are ordering replacement parts, please refer to this Parts Catalogue and quote both part numbers and part names correctly.

1. Modifications or additions which have been made after the issue of the Parts Catalogue will be announced in the Parts News.
It is advisable that you make the necessary corrections to the Parts Catalogue according to the Parts News.

2. Abbreviations

The following abbreviations are used in this Parts Catalogue.

“UR” Use specified parts number.

“UN” Use as many as needed.

“AP” Alternate Parts

“LM” Locally Made (Parts need to be ordered locally)

“F#” Frame No. (Applicable machine No.)

“O/S” Over Size

3. The number of components for assembly

- Parts, which are to be supplied in an assembly, are listed with a dot (.) in front of the part name as shown below.
- The numeral appearing to the right of each component part indicates the quantity of parts for each assembly unit.

PART NO.	DESCRIPTION	Q'TY	REMARKS
2F5-83310-60	FRONT FLASHER LIGHT ASSY	2	
115-83311-60	.BULB (6V-18W)	1	

4. Applicable colours of graphics are represented in the “REMARKS” as shown below.

PART NO.	DESCRIPTION	Q'TY	REMARKS
2N4-24110-00-X5	FUEL TANK COMP.	2	MXR
3J1-24240-10	.GRAPHIC, FUEL TANK	1	FOR MXR

5. Note that the illustrations for reference in finding parts numbers are not to be used for assembling. When assembling, please use the applicable service manual.

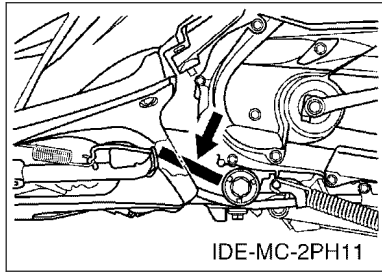
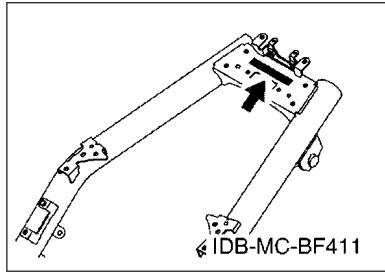
6. The asterisk (*) before a reference number indicates modified items after the first edition.

FOREWORD

7. Applicable Serial No.

Frame Serial No.

Engine Serial No.



8. Applicable Colour Code (The (*) mark shows Model colour.)

Abbreviation	Colour Name	Colour Code
BMC(*)	BLUE METALLIC C	0775
BWC1	BLUISH WHITE COCKTAIL 1	0390
MC1(*)	MAGENTA CANDY 1	1175
NW	NEW WHITE	001A
RM7(*)	RED METALLIC 7	1218
SMX	BLACK METALLIC X	0903
VDOM1(*)	VERY DARK ORANGE METALLIC 1	0858
YB	YAMAHA BLACK	0033

9. Applicable Starting Serial No.

Frame Serial No.

Serial No.	Name Of Q'ty Column	Model Code

Engine Serial No.

Serial No.	Name Of Q'ty Column	Model Code

CONTENTS

ENGINE

CYLINDER.....	1
CRANKSHAFT & PISTON.....	2
VALVE.....	3
CAMSHAFT & CHAIN.....	4
AIR SHROUD & FAN.....	5
OIL PUMP.....	6
INTAKE.....	7
EXHAUST.....	9
CRANKCASE.....	10
CRANKCASE COVER 1.....	12
STARTER.....	13
CLUTCH.....	14
TRANSMISSION.....	16

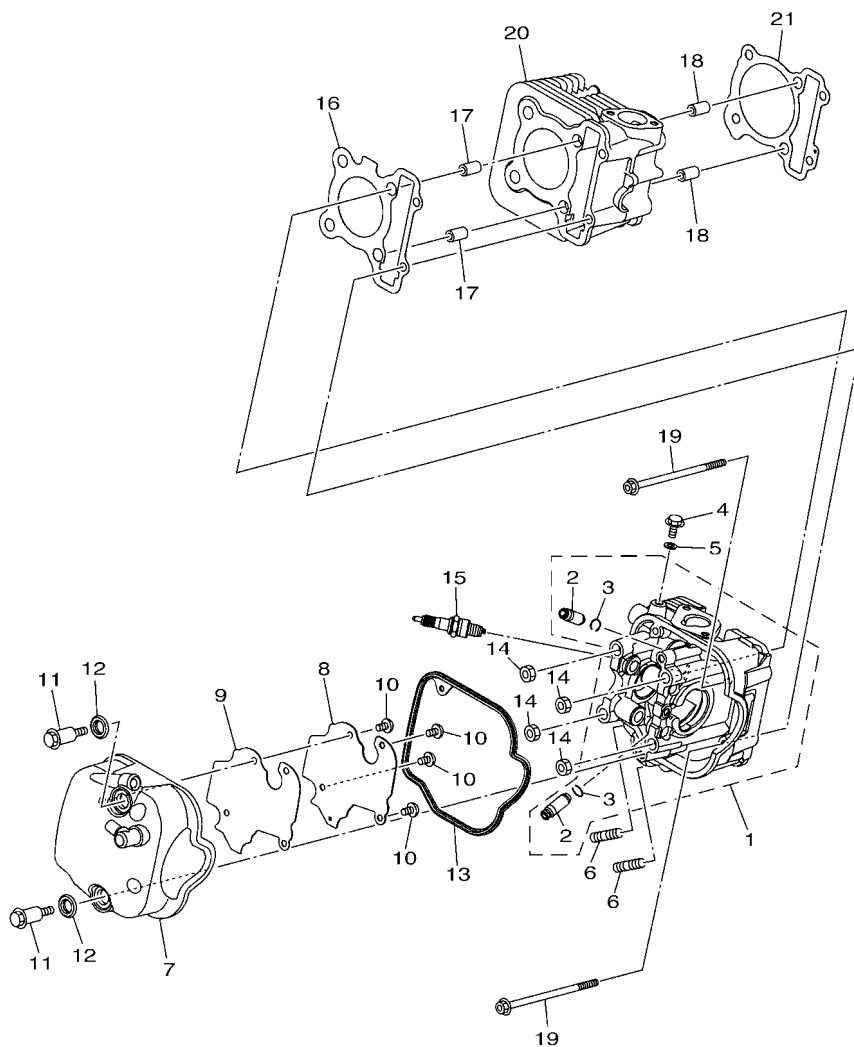
CHASSIS

FRAME.....	17
FENDER.....	18
SIDE COVER.....	19
REAR ARM & SUSPENSION.....	21
STEERING.....	22
FUEL TANK.....	24
SEAT.....	25
FRONT WHEEL.....	26
FRONT BRAKE CALIPER.....	27
REAR WHEEL.....	28
STEERING HANDLE & CABLE.....	29
FRONT MASTER CYLINDER.....	31
STAND & FOOTREST.....	32
LEG SHIELD.....	34
GENERATOR.....	37
STARTING MOTOR.....	38
FLASHER LIGHT.....	39
METER.....	40
HEADLIGHT.....	41
TAILLIGHT.....	42
HANDLE SWITCH & LEVER.....	43
ELECTRICAL 1.....	44
ELECTRICAL 2.....	45

INDEX

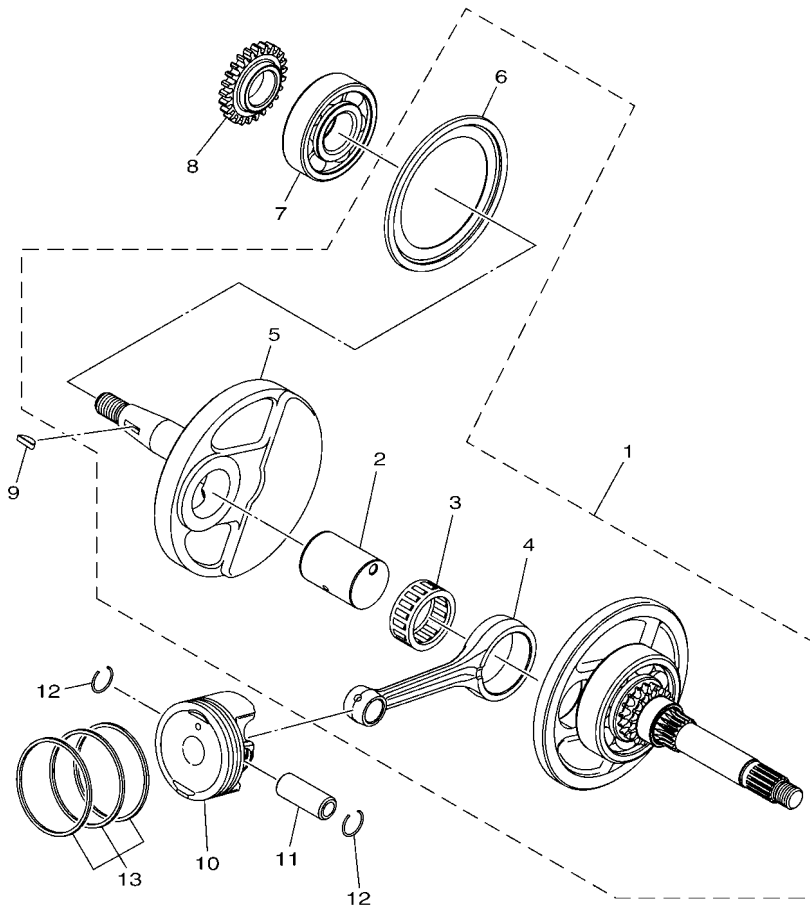
NUMERICAL INDEX.....	46
----------------------	----

FIG. 1 CYLINDER



2SX4460-R010

REF. NO.	PART NO.	DESCRIPTION	BF41				REMARKS
1	B92-E1102-00	CYLINDER HEAD ASSY	1				
2	1DR-E1133-10	.GUIDE, VALVE 1	2				
3	93440-10153	.CIRCLIP	2				
4	95022-06010	BOLT, FLANGE	1				
5	90430-06014	GASKET	1				
6	95612-08618	BOLT, STUD	2				
7	2PH-E1191-00	COVER, CYLINDER HEAD 1	1				
8	2PH-E1165-00	PLATE, BREATHER	1				
9	2PH-E1169-00	GASKET, BREATHER COVER	1				
10	90149-05801	SCREW	4				
11	2PH-E119E-10	BOLT, COVER HEAD	2				
12	2BM-E111G-00	RUBBER, MOUNT 1	2				
13	2BM-E1193-00	GASKET, HEAD COVER 1	1				
14	95302-08600	NUT, HEXAGON	4				
15	94700-00880	PLUG, SPARK (NGK CR6HSA)	1				
16	2BL-E1181-00	GASKET, CYLINDER HEAD 1	1				
17	91810-14809	PIN, DOWEL	2				
18	91810-14809	PIN, DOWEL	2				
19	90110-06868	BOLT, HEXAGON SOCKET HEAD	2				
20	2PH-E1311-10	CYLINDER 1	1				
21	2PH-E1351-00	GASKET, CYLINDER	1				




 BJ81460-R020

FIG. 2 CRANKSHAFT & PISTON

REF. NO.	PART NO.	DESCRIPTION	BF41				REMARKS
1	2PH-E1400-30	CRANKSHAFT ASSY	1				
2	2BM-E1681-10	.PIN, CRANK 1	1				
3	93310-528YP	.BEARING	1				
4	2PH-E1651-20	.ROD, CONNECTING	1				
5	2PH-E1422-10	.CRANK 2	1				
6	5LW-E3452-00	.COVER, ROTOR FILTER	1				
7	93306-372X5	BEARING	1				
8	2BM-E3324-10	GEAR, PUMP DRIVE	1				
9	90280-03017	KEY, WOODRUFF	1				
10	2PH-E1631-00	PISTON (STD)	1				
11	2PH-E1633-00	PIN, PISTON	1				
12	93450-14088	CIRCLIP	2				
13	2PH-E1603-10	PISTON RING SET (STD)	1				

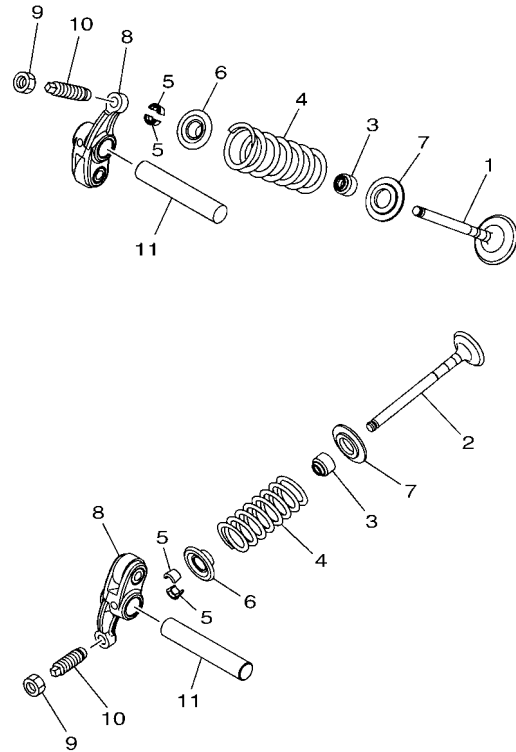


FIG. 3 VALVE

REF. NO.	PART NO.	DESCRIPTION	BF41				REMARKS
1	2PH-E2111-00	VALVE, INTAKE	1				
2	2PH-E2121-10	VALVE, EXHAUST	1				
3	54P-E2119-00	SEAL, VALVE STEM	2				
4	54P-E2113-00	SPRING, VALVE INNER	2				
5	5TL-E2118-00	LOCK, VALVE SPRING RETAINER	4				
6	54P-E2117-00	RETAINER, VALVE SPRING	2				UR
	1KP-E2117-00	RETAINER, VALVE SPRING	2				UR
7	2PH-E2126-00	SEAT, VALVE SPRING 2	2				
8	2PH-E2151-00	ARM, VALVE ROCKER	2				
9	90170-05803	NUT	2				
10	33S-E2159-10	SCREW, VALVE ADJUSTING	2				UR
	33S-E2159-01	SCREW, VALVE ADJUSTING	2				UR
11	2PH-E2146-00	SHAFT, ROCKER	2				



2BM1422-P030

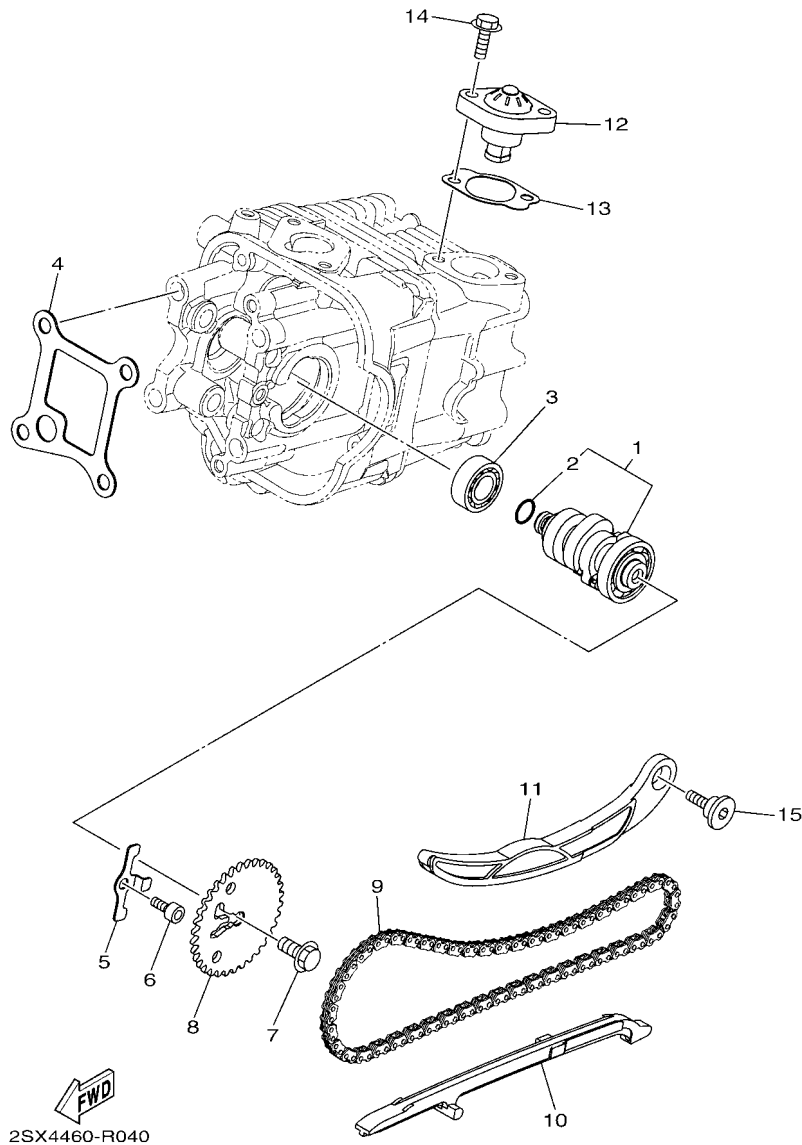
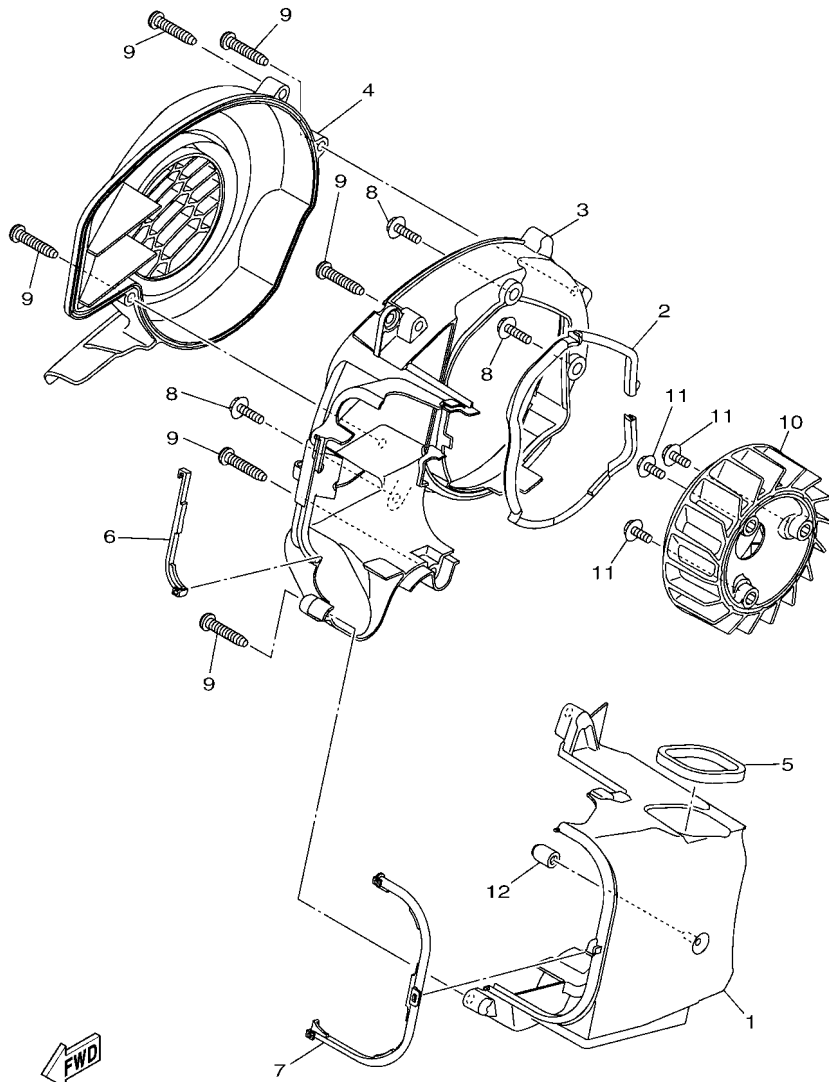


FIG. 4 CAMSHAFT & CHAIN

REF. NO.	PART NO.	DESCRIPTION	BF41				REMARKS
1	2PH-E2170-00	CAMSHAFT ASSY 1	1				
2	93210-09806	.O-RING	1				
3	93306-001YE	BEARING	1				UR
	93306-001X9	BEARING	1				UR
4	2PH-E111F-00	PLATE	1				
5	2PH-E112F-00	PLATE 2	1				
6	91312-06012	BOLT	1				
7	90105-07801	BOLT, FLANGE	1				
8	2PH-E2176-00	SPROCKET, CAM CHAIN (34T)	1				
9	94568-J7092	CHAIN	1				
10	54P-E2231-00	GUIDE, STOPPER 1	1				
11	2PH-E2241-00	GUIDE, STOPPER 2	1				
12	2BM-E2210-10	TENSIONER ASSY, CAM CHAIN	1				
13	2PH-E2213-00	GASKET, TENSIONER CASE	1				
14	95022-06020	BOLT, FLANGE	2				
15	54P-E2228-00	BOLT	1				

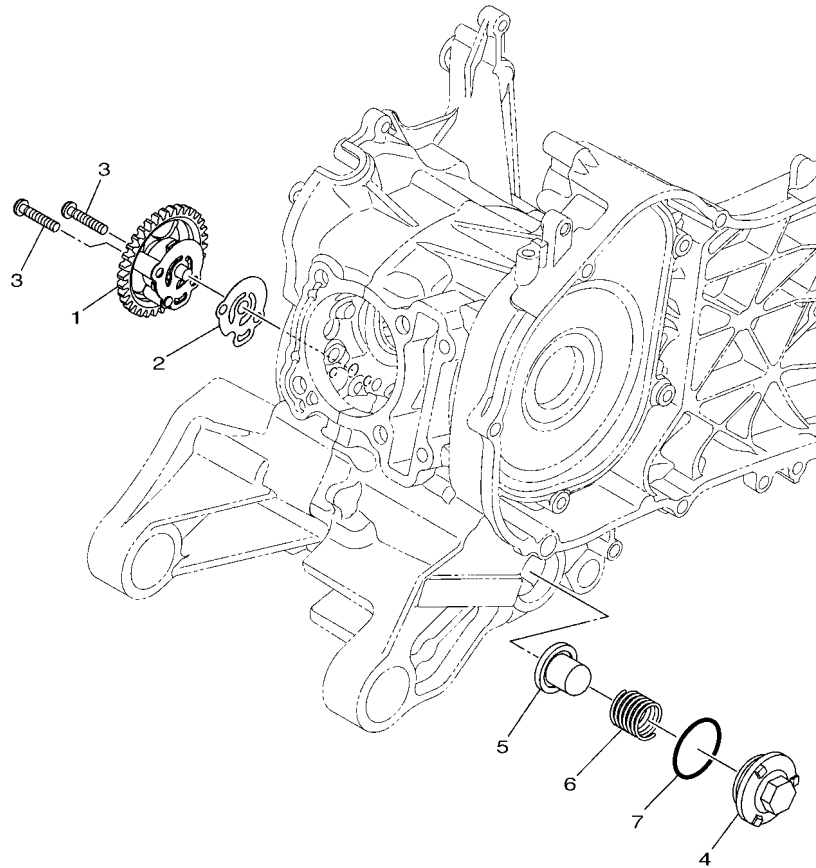


2PH1460-P050

FIG. 5 AIR SHROUD & FAN

REF. NO.	PART NO.	DESCRIPTION	BF41				REMARKS
1	2PH-E2651-00	AIR SHROUD, CYLINDER 1	1				
2	2PH-E2658-00	DAMPER, AIR SHROUD 1	1				
3	2PH-E2652-00	AIR SHROUD, CYLINDER 2	1				
4	2PH-E2653-00	AIR SHROUD, CYLINDER 3	1				
5	90520-05819	DAMPER, PLATE	1				
6	2PH-E2659-10	DAMPER, AIR SHROUD 2	1				
7	2PH-E2668-10	DAMPER, AIR SHROUD 3	1				
8	95022-06020	BOLT, FLANGE	3				
9	97702-60530	SCREW, TAPPING	6				
10	2PH-E2611-10	FAN	1				
11	95D32-06016	BOLT, FLANGE DEEP RECESS	3				
12	5LW-E3569-00	PLUG, BLIND	1				

FIG. 6 OIL PUMP



REF. NO.	PART NO.	DESCRIPTION	BF41				REMARKS
1	2PH-E3300-10	OIL PUMP ASSY	1				
2	2PH-E3475-10	GASKET	1				
3	98502-05020	SCREW, PAN HEAD	2				
4	54P-E5351-00	PLUG, DRAIN	1				
5	54P-E3411-00	STRAINER, OIL	1				
6	90501-16004	SPRING, COMPRESSION	1				
7	93210-29800	O-RING	1				

2BM1422-P050

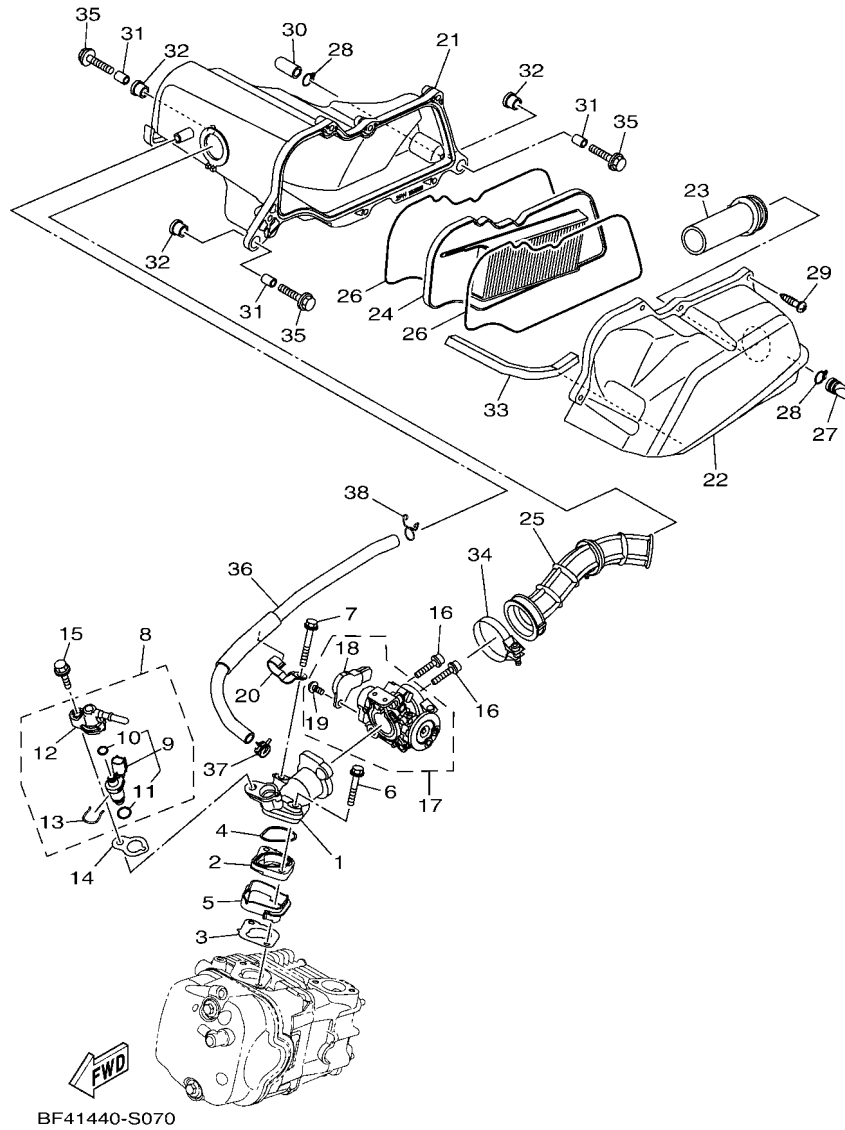
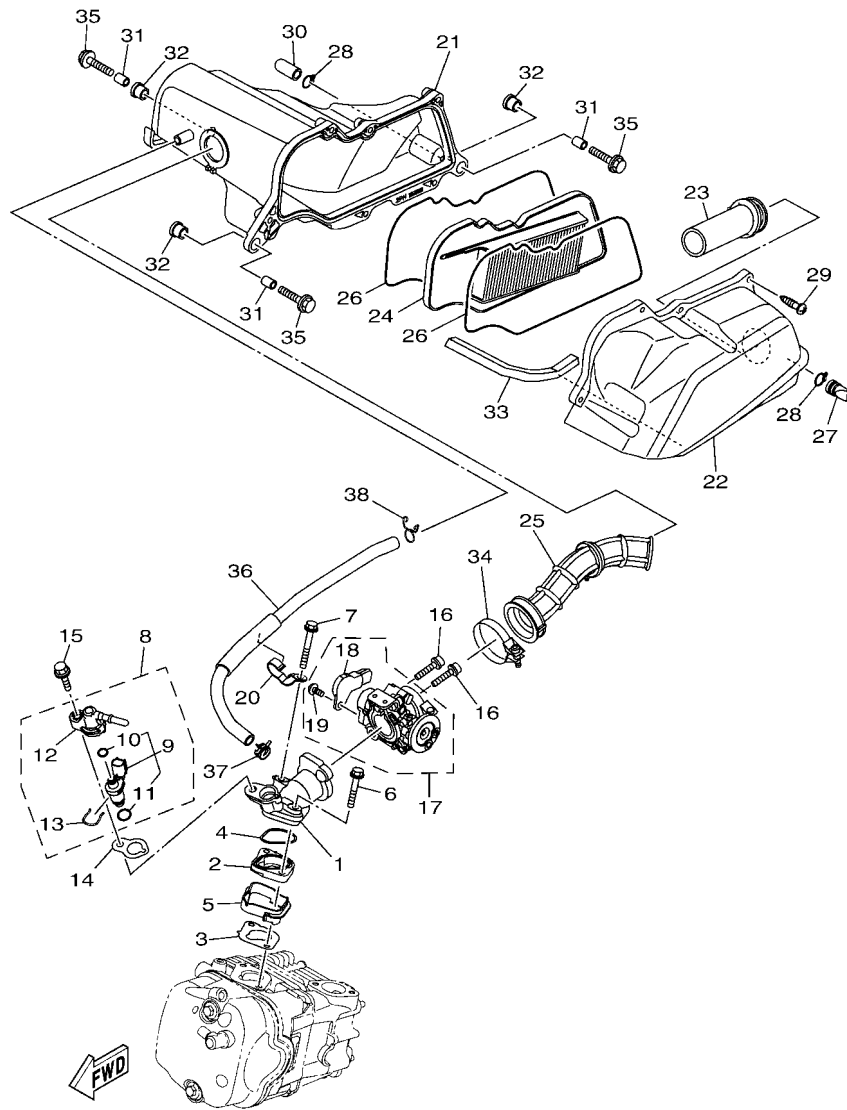


FIG. 7 INTAKE

REF. NO.	PART NO.	DESCRIPTION	BF41				REMARKS
1	2PH-E3585-10	MANIFOLD	1				
2	2PH-E3595-00	JOINT	1				
3	2PH-E3556-00	GASKET, MANIFOLD	1				
4	93210-35883	O-RING	1				
5	2PH-E3593-00	DAMPER	1				
6	95D32-06035	BOLT, FLANGE DEEP RECESS	1				
7	95D32-06045	BOLT, FLANGE DEEP RECESS	1				
8	2PH-E3770-00	INJECTOR ASSY	1				
9	2PH-E3761-00	.INJECTOR ASSY	1				
10	54P-E4147-00	.O-RING	1				
11	5CA-E4147-00	.O-RING	1				
12	54P-E3938-00	.PIPE	1				
13	54P-E4137-00	.CLIP	1				
14	2PH-E3557-00	GASKET	1				
15	95D32-06025	BOLT, FLANGE DEEP RECESS	1				
16	90110-06846	BOLT, HEXAGON SOCKET HEAD	2				
17	2PH-E3750-00	THROTTLE BODY ASSY	1				
18	2PH-H5885-00	.THROTTLE SENSOR ASSY	1				
19	1PM-14216-00	.SCREW	1				
20	2PH-E4146-00	PLATE	1				
21	2PH-E4411-00	CASE, AIR CLEANER 1	1				
22	2PH-E4412-00	CAP, CLEANER CASE 1	1				
23	2PH-E4437-00	DUCT	1				
24	2PH-E4450-20	ELEMENT ASSY, AIR CLEANER	1				
25	2PH-E4453-00	JOINT, AIR CLEANER 1	1				
26	2PH-E4452-00	SEAL	2				
27	5TP-E443G-00	PIPE, DRAIN 2	1				

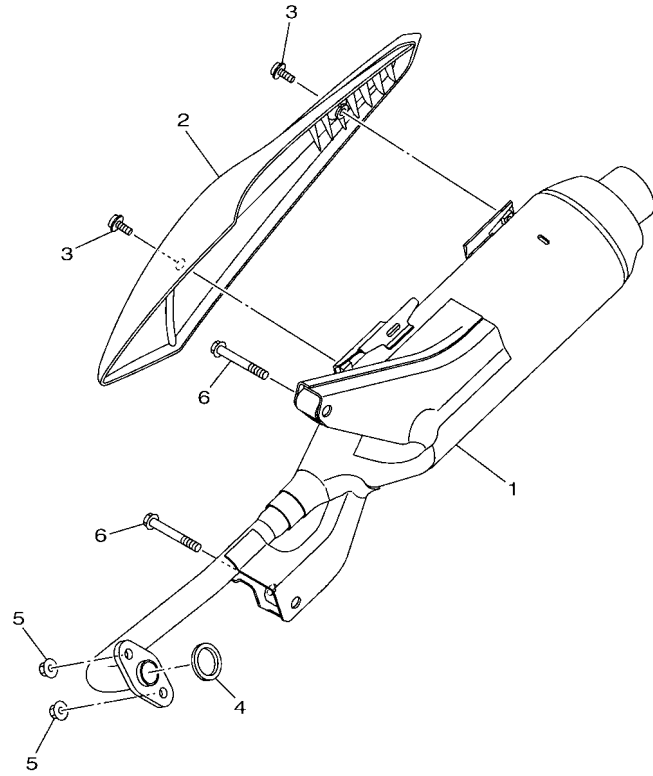


BF41440-S070

FIG. 7 INTAKE

REF. NO.	PART NO.	DESCRIPTION	BF41				REMARKS
28	90467-12807	CLIP	2				
29	97707-50025	SCREW, TAPPING	6				
30	5TL-E443E-00	PIPE, DRAIN	1				
31	90387-064W3	COLLAR	3				
32	90480-13013	GROMMET	3				
33	90520-10825	DAMPER, PLATE	1				
34	90450-46803	HOSE CLAMP ASSY	1				
35	95D32-06025	BOLT, FLANGE DEEP RECESS	3				
36	2PH-E1166-10	PIPE, BREATHER 1	1				
37	90467-13808	CLIP	1				
38	90467-13858	CLIP	1				

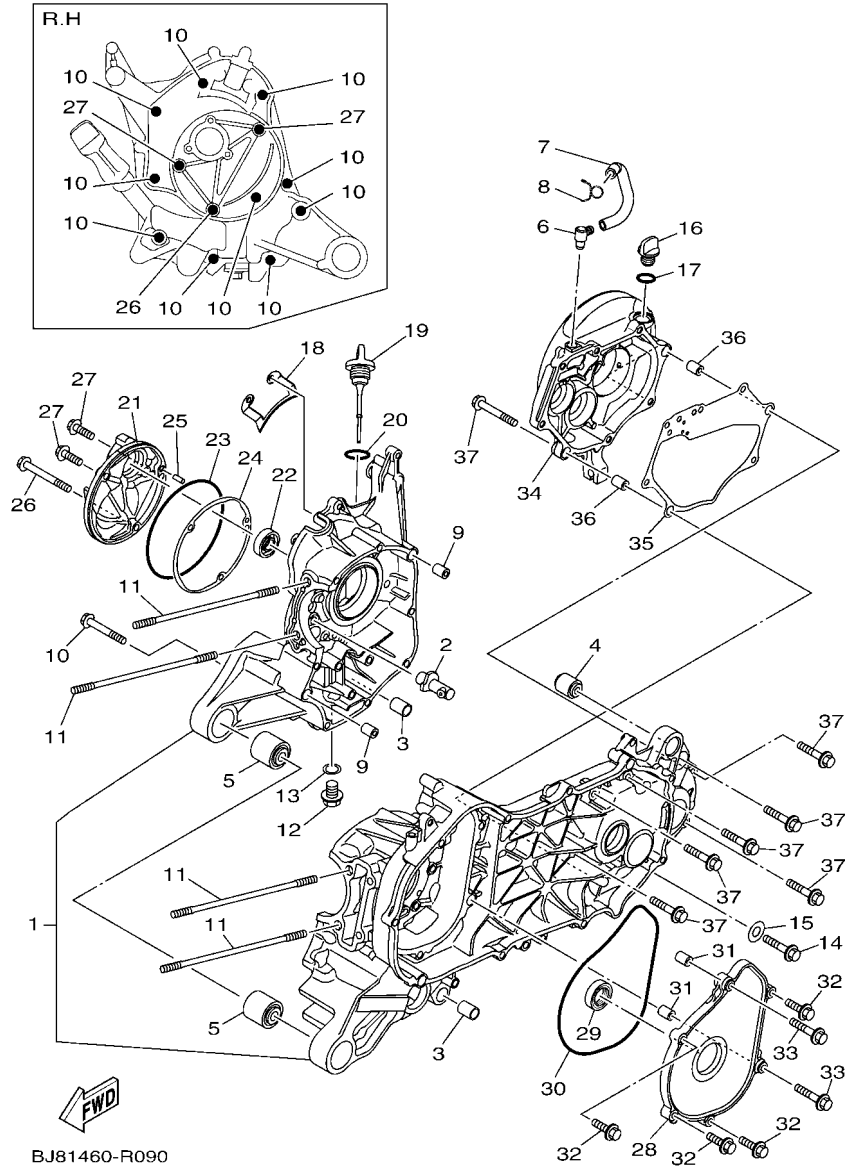
FIG. 8 EXHAUST




2PH1460-P080

REF. NO.	PART NO.	DESCRIPTION	BF41				REMARKS
1	B92-E4711-00	MUFFLER 1	1				
2	B92-E4718-00	PROTECTOR, MUFFLER 1	1				
3	90111-06811	BOLT,HEX. SOCKET BUTTON	2				
4	B92-E4613-00	GASKET, EXHAUST PIPE	1				
5	95702-08500	NUT, FLANGE	2				
6	95D32-08055	BOLT, FLANGE DEEP RECESS	2				

FIG. 9 CRANKCASE



BJ81460-R090

REF. NO.	PART NO.	DESCRIPTION	BF41				REMARKS
1	2PH-E5150-00	CRANKCASE ASSY	1				
2	2PH-E5155-00	NOZZLE 3	1				
3	54P-F7121-00	BUSH	2				
4	5MX-F2216-00	BUSH, REAR SHOCK ABSORBER	1				
5	90388-10805	DAMPER	2				
6	54P-E5371-00	BREATHER	1				
7	2PH-E5373-00	PIPE, BREATHER	1				
8	90467-11825	CLIP	1				
9	91810-14809	PIN, DOWEL	2				
10	95022-06060	BOLT, FLANGE	10				
11	90116-08843	BOLT, STUD	4				
12	90340-12808	PLUG, STRAIGHT SCREW	1				
13	4YS-E1198-00	GASKET	1				
14	95D32-06040	BOLT, FLANGE DEEP RECESS	1				
15	90430-06014	GASKET	1				
16	5LW-E5363-00	PLUG, OIL	1				
17	93210-148H8	O-RING	1				
18	2PH-E5113-00	PLATE	1				
19	2PH-E5362-10	PLUG, OIL LEVEL	1				
20	5LW-E3769-00	O-RING	1				
21	2PH-E5417-00	COVER, CAP	1				
22	93102-19814	OIL SEAL	1				UR
	93102-19817	OIL SEAL	1				UR
23	93211-07800	O-RING	1				
24	2PH-E5453-00	GASKET	1				
25	99480-05010	PIN	1				
26	95022-06070	BOLT, FLANGE	1				

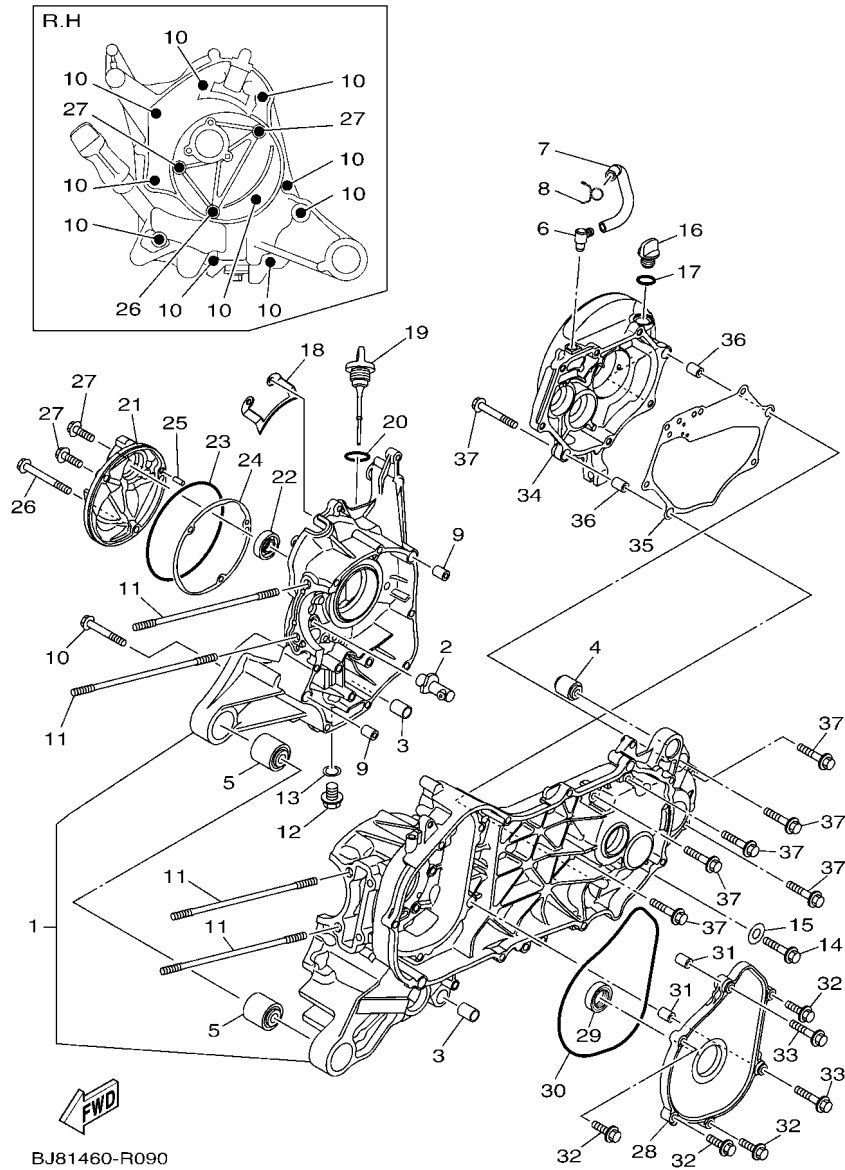
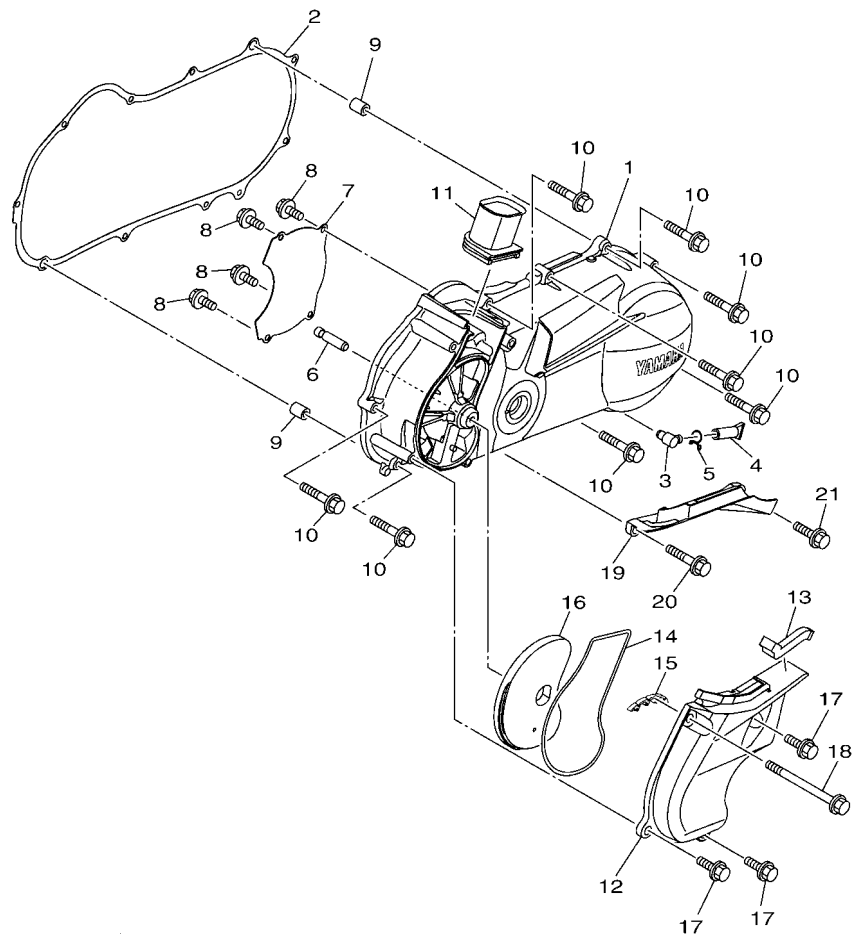


FIG. 9 CRANKCASE

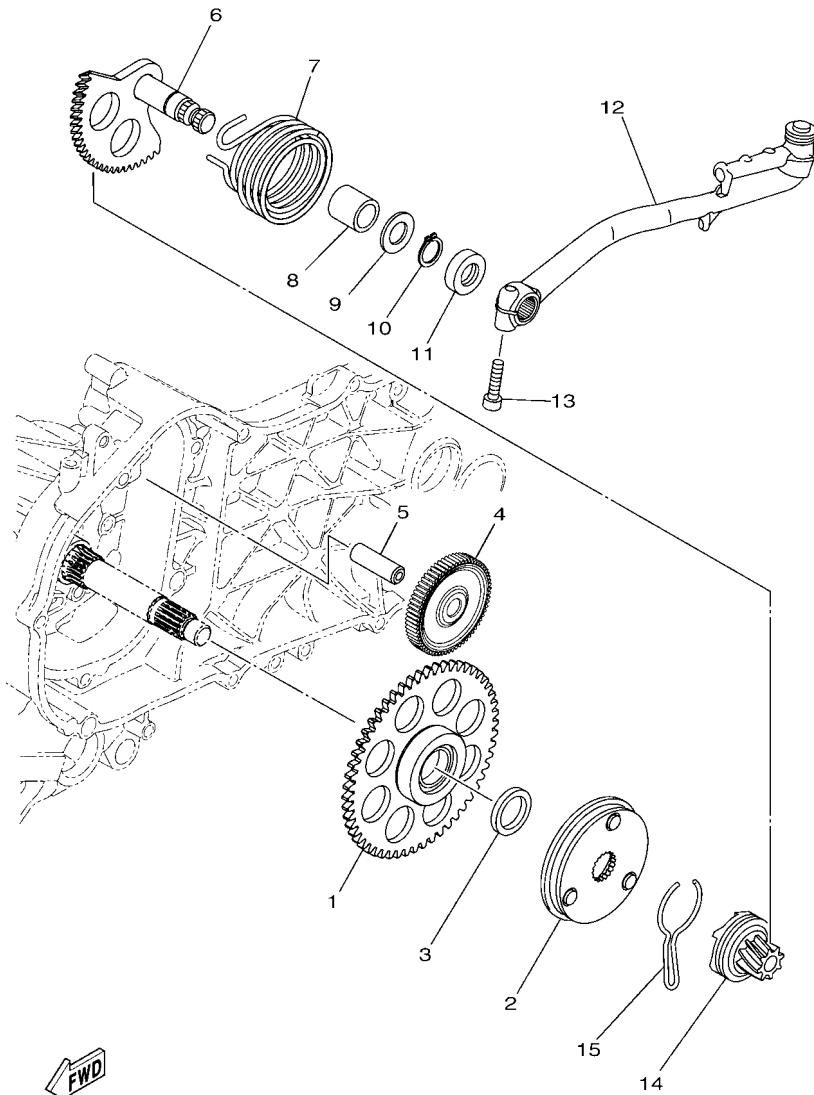
REF. NO.	PART NO.	DESCRIPTION	BF41				REMARKS
27	95022-06020	BOLT, FLANGE	2				
28	2PH-E5423-00	COVER 2	1				
29	93102-25816	OIL SEAL	1				UR
	93102-25819	OIL SEAL	1				UR
30	93211-47801	O-RING	1				
31	91810-14809	PIN, DOWEL	2				
32	95022-06025	BOLT, FLANGE	4				
33	95022-06035	BOLT, FLANGE	2				
34	2PH-E5421-00	COVER, CRANKCASE 2	1				
35	2PH-E5461-00	GASKET, CRANKCASE COVER 2	1				
36	91810-14809	PIN, DOWEL	2				
37	95022-06035	BOLT, FLANGE	7				

FIG. 10 CRANKCASE COVER 1



REF. NO.	PART NO.	DESCRIPTION	BF41				REMARKS
1	B92-E5411-00	COVER, CRANKCASE 1	1				
2	2PH-E5451-00	GASKET, CRANKCASE COVER 1	1				
3	54P-E5371-00	BREATHER	1				
4	4ST-E443E-00	PIPE, DRAIN	1				
5	90467-110A3	CLIP	1				
6	5LW-15659-01	SHAFT	1				
7	2PH-E5191-10	PLATE	1				
8	95022-06010	BOLT, FLANGE	4				
9	91810-14809	PIN, DOWEL	2				
10	95022-06035	BOLT, FLANGE	8				
11	2PH-E5473-00	DUCT, AIR	1				
12	2PH-E5471-00	DUCT, AIR	1				
13	2PH-E5316-00	DAMPER 1	1				
14	2PH-E5472-00	SEAL, AIR DUCT	1				
15	2PH-E5495-00	SEAL, PROTECTOR 1	1				
16	2PH-E5407-00	ELEMENT 1	1				
17	95D32-06020	BOLT, FLANGE DEEP RECESS	3				
18	95D32-06090	BOLT, FLANGE DEEP RECESS	1				
19	2PH-E5413-00	COVER	1				
20	95022-06045	BOLT, FLANGE	1				
21	95022-06020	BOLT, FLANGE	1				


2PH1460-P100

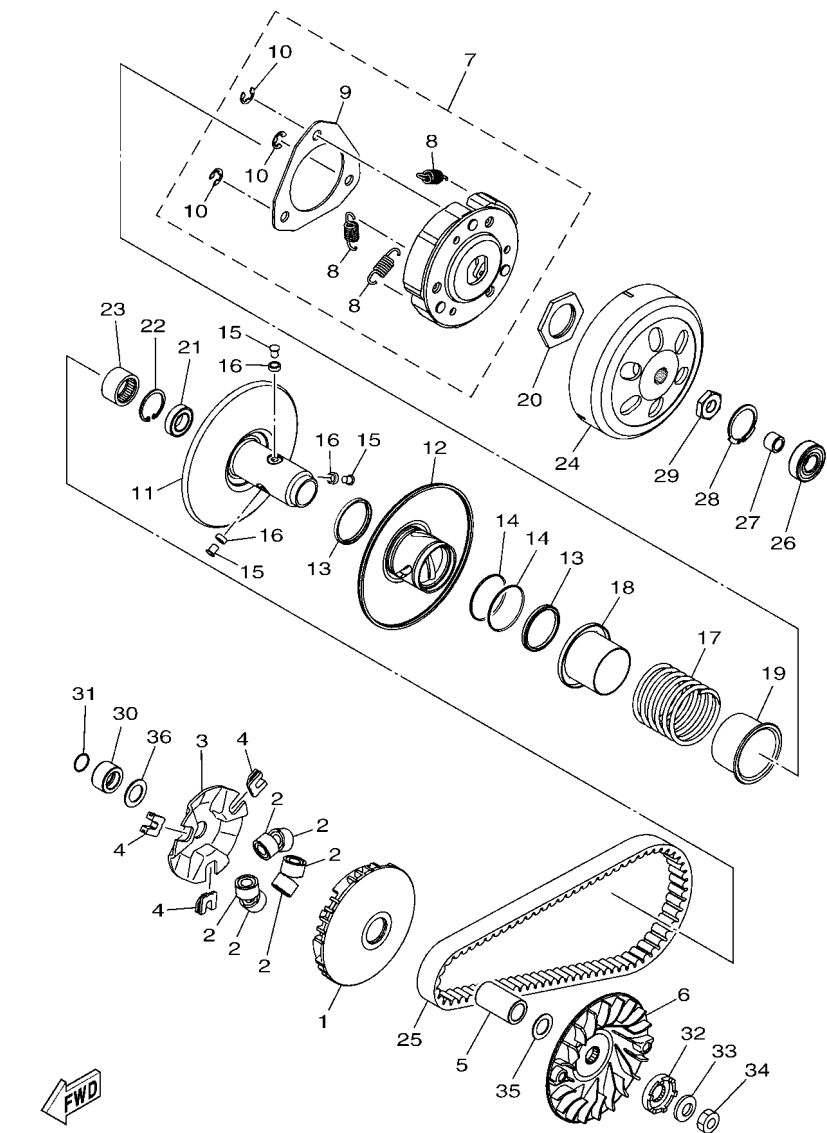


2PH1460-P110

FIG. 11 STARTER

REF. NO.	PART NO.	DESCRIPTION	BF41				REMARKS
1	2PH-E5520-20	STARTER WHEEL ASSY	1				
2	2PH-E5570-00	STARTER CLUTCH ASSY	1				
3	44D-E5598-00	COLLAR	1				
4	2BM-E5512-00	GEAR, IDLER 1	1				
5	44D-E5521-00	SHAFT 1	1				
6	2PH-E5601-00	KICK SHAFT ASSY	1				
7	90508-32768	SPRING, TORSION	1				
8	90380-15811	BUSH, SOLID	1				
9	90201-154E8	WASHER, PLATE (T=1.0)	1				
10	99009-15400	CIRCLIP	1				
11	93102-15801	OIL SEAL	1				
12	2BL-E5620-00	KICK CRANK ASSY	1				
13	91312-06025	BOLT, HEXAGON SOCKET HEAD	1				
14	2PH-E5630-00	KICK PINION ASSY	1				
15	5MX-E5673-00	CLIP	1				

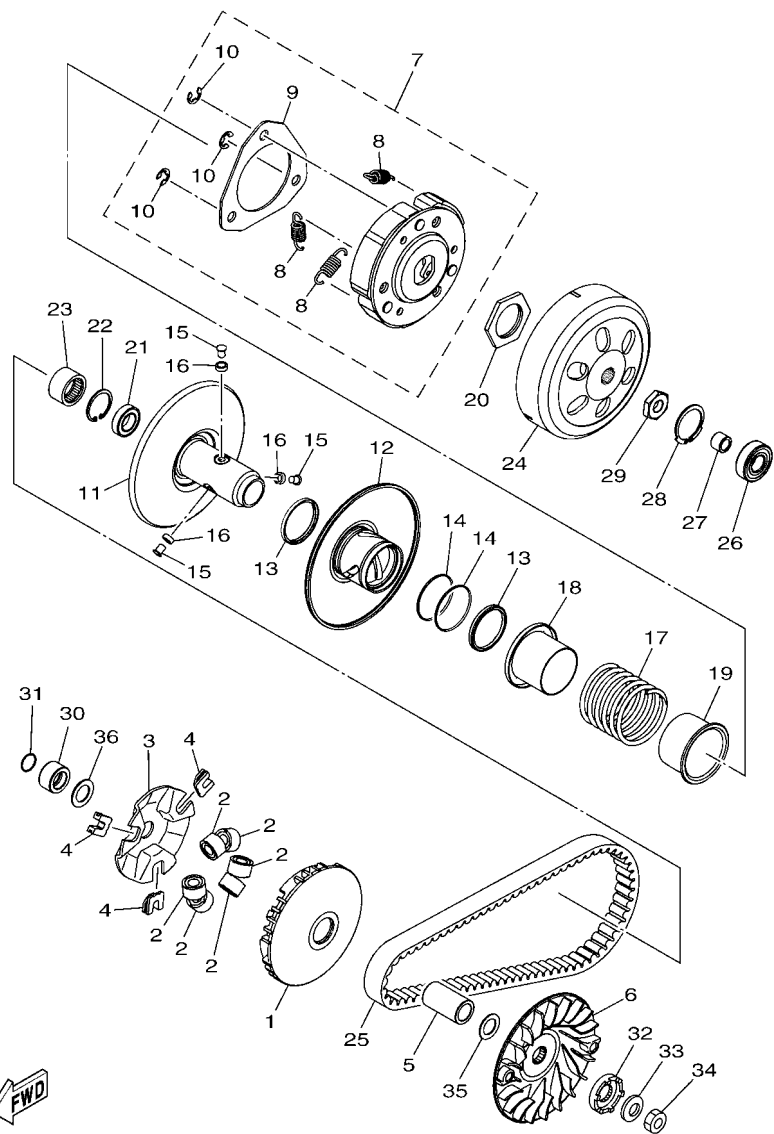
FIG. 12 CLUTCH



2SX1460-P120

REF. NO.	PART NO.	DESCRIPTION	BF41				REMARKS
1	2PH-E7620-00	PRIMARY SLIDING SHEAVE COMP.	1				
2	2SX-E7632-10	WEIGHT	6				
3	2PH-E7623-00	CAM	1				
4	2PH-E7653-00	SLIDER	3				
5	2PH-E7674-00	COLLAR, GUIDE	1				
6	2SX-E7611-10	SHEAVE, PRIMARY FIXED	1				
7	BJ8-E6620-00	CLUTCH CARRIER ASSY	1				
8	2PH-E6626-00	.SPRING, CLUTCH WEIGHT 1	3				
9	2PH-E6523-00	.PLATE, WEIGHT THRUST	1				
10	2PH-E6819-00	.CIRCLIP, CLUTCH	3				
11	BJ8-E7660-00	SECONDARY FIXED SHEAVE COMP.	1				
12	BJ8-E7670-00	SECONDARY SLIDING SHEAVE	1				
13	2PH-E7465-00	SEAL	2				
14	2PH-E7465-10	SEAL	2				
15	2PH-E7664-00	PIN, GUIDE	3				
16	2PH-E7674-10	COLLAR, GUIDE	3				
17	2PH-E7683-00	SPRING, SECONDARY	1				
18	2PH-E7684-00	SEAT, SECONDARY SPRING	1				
19	2PH-E7644-00	SEAT, SPRING	1				
20	2PH-E7668-00	NUT	1				
21	2PH-E7678-00	BEARING	1				
22	2PH-E5744-00	CIRCLIP	1				
23	2PH-E7678-10	BEARING	1				
24	2PH-E6611-00	CLUTCH HOUSING COMP.	1				
25	2PH-E7641-00	V-BELT	1				
26	93306-252YB	BEARING	1				
27	90380-10803	BUSH, SOLID	1				

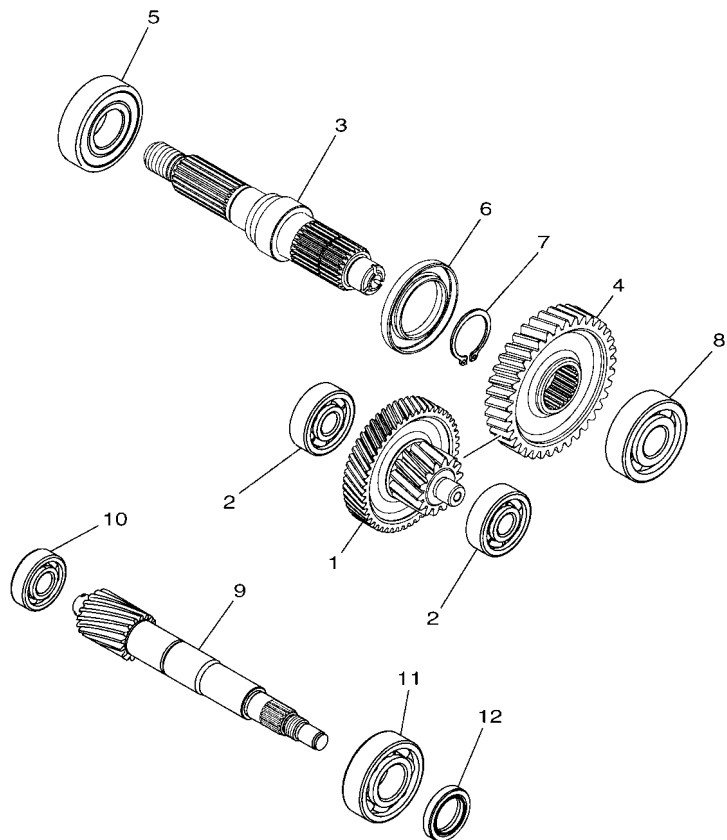
FIG. 12 CLUTCH



FWD
2SX1460-P120

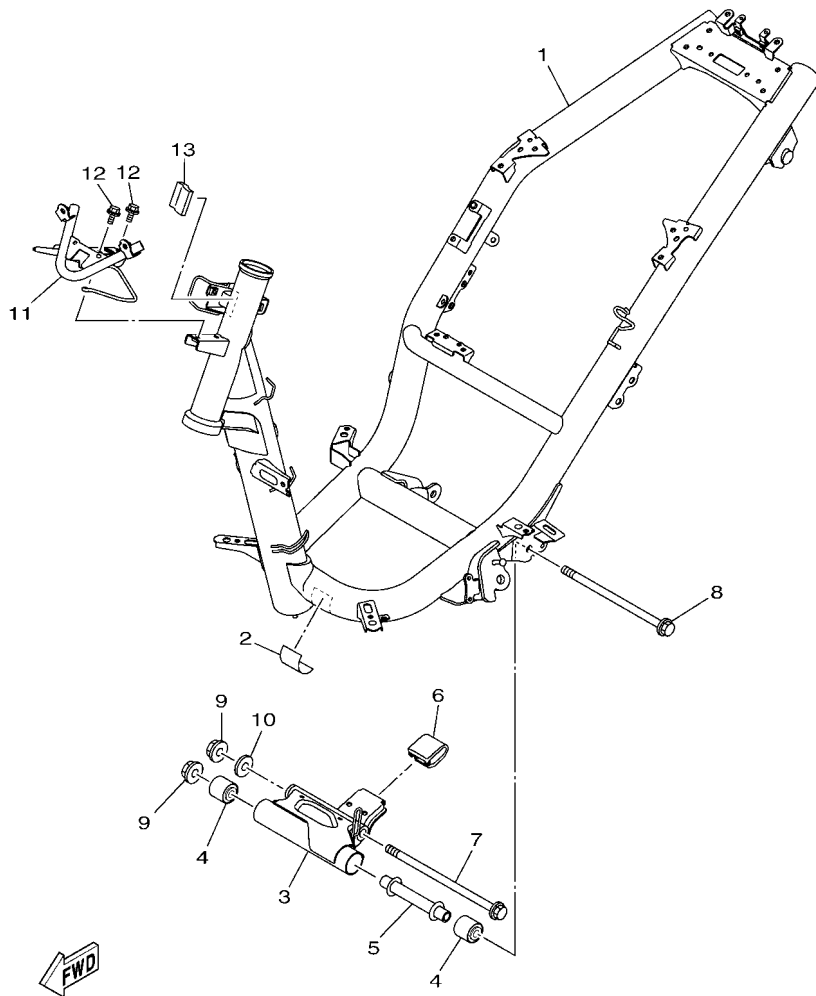
REF. NO.	PART NO.	DESCRIPTION	BF41				REMARKS
28	99009-35700	CIRCLIP	1				
29	90170-12802	NUT	1				
30	2PH-E7645-10	COLLAR	1				
31	93210-16805	O-RING	1				
32	5MX-E5657-00	CLUTCH, ONEWAY	1				
33	90208-12808	WASHER, CONICAL SPRING	1				
34	90170-12800	NUT	1				
35	90201-15846	WASHER, PLATE	1				
36	90201-16817	WASHER, PLATE	1				

FIG. 13 TRANSMISSION




2PH1460-P130

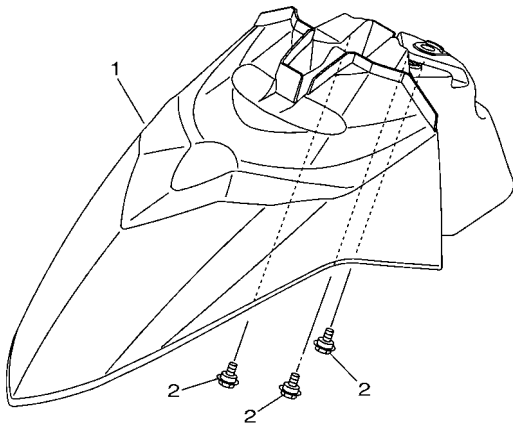
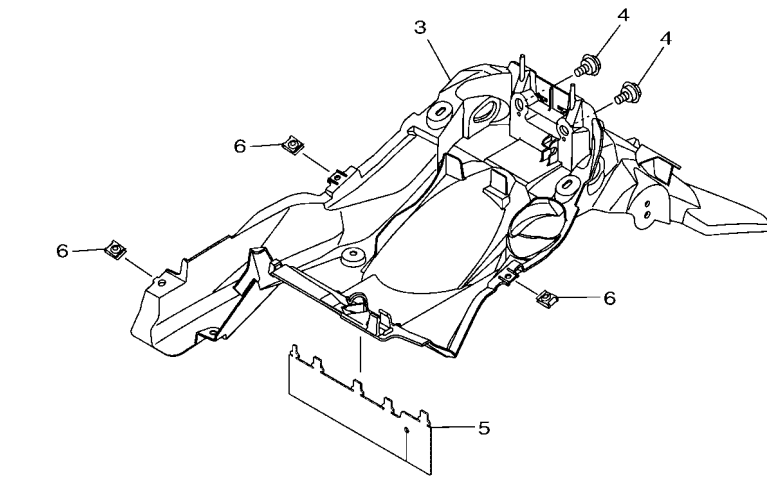
REF. NO.	PART NO.	DESCRIPTION	BF41				REMARKS
1	2PH-E7410-00	MAIN AXLE COMP. (12T/50T)	1				UR
	2PH-E7410-10	MAIN AXLE COMP. (12T/50T)	1				UR
2	93306-351Y5	BEARING	2				
3	2PH-E7421-00	AXLE, DRIVE	1				UR
	2PH-E7421-10	AXLE, DRIVE	1				UR
4	2PH-E7211-00	GEAR, 1ST WHEEL (39T)	1				UR
	2PH-E7211-10	GEAR, 1ST WHEEL (39T)	1				UR
5	93306-272YA	BEARING	1				
6	93102-32801	OIL SEAL	1				UR
	93102-32809	OIL SEAL	1				UR
7	99009-25400	CIRCLIP	1				
8	93306-303YN	BEARING	1				UR
	93306-303YS	BEARING	1				UR
9	2PH-E6111-00	GEAR, PRIMARY DRIVE (16T)	1				UR
	2PH-E6111-10	GEAR, PRIMARY DRIVE (16T)	1				UR
10	93306-201YK	BEARING	1				UR
	93306-201YR	BEARING	1				UR
11	93306-204XT	BEARING	1				UR
	93306-204XV	BEARING	1				UR
12	93102-20815	OIL SEAL	1				UR
	93102-20816	OIL SEAL	1				UR



2PH5460-S140

FIG. 14 FRAME

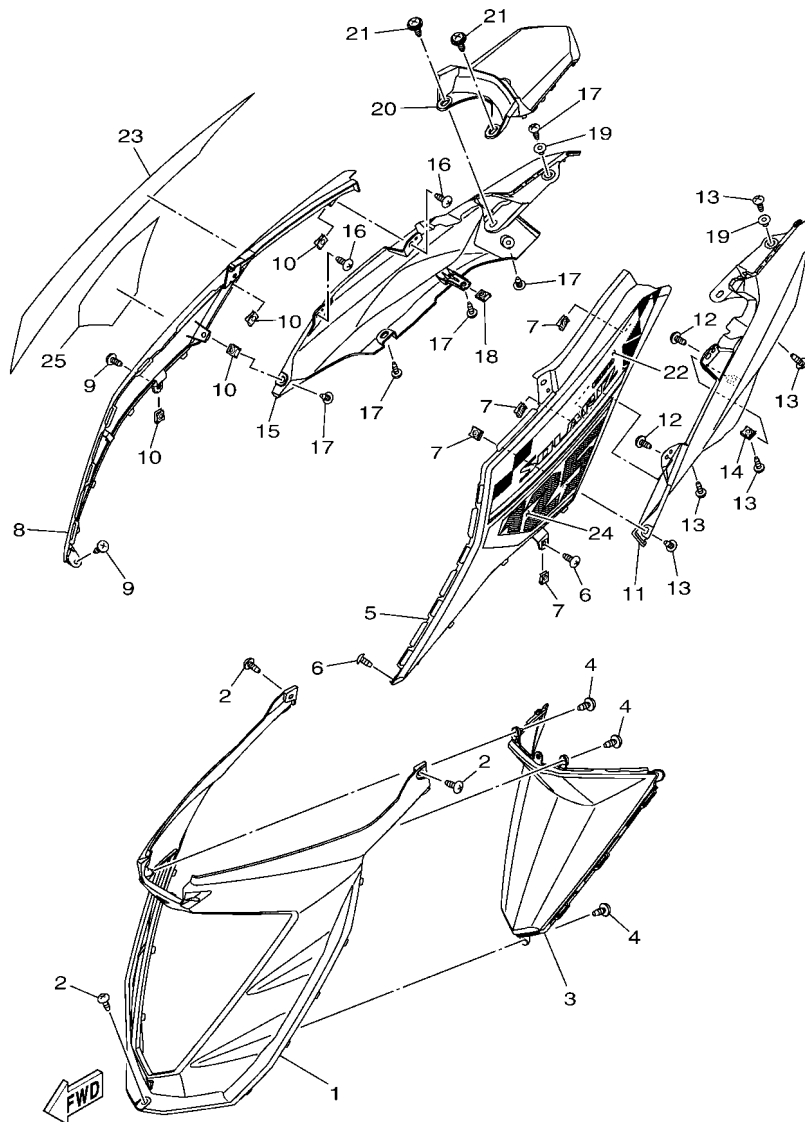
REF. NO.	PART NO.	DESCRIPTION	BF41				REMARKS
1	BF4-F1110-00	FRAME COMP.	1				
2	5D9-F414G-00	SEAL	1				
3	2PH-F1410-20	ENGINE BRACKET COMP.	1				
4	90388-10800	DAMPER	2				
5	54P-F1459-00	SPACER	1				
6	2PH-F7114-00	STOPPER, MAIN STAND	1				
7	2PH-F2141-00	SHAFT, PIVOT	1				
8	54P-F2141-00	SHAFT, PIVOT	1				
9	95602-10200	NUT, S/L FLANGE	2				
10	90201-10831	WASHER, PLATE	1				
11	BF4-F8356-00	STAY 1	1				
12	95D02-06010	BOLT, FLANGE DEEP RECESS	2				
13	90520-08809	DAMPER, PLATE	1				




 BF41440-S150

FIG. 15 FENDER

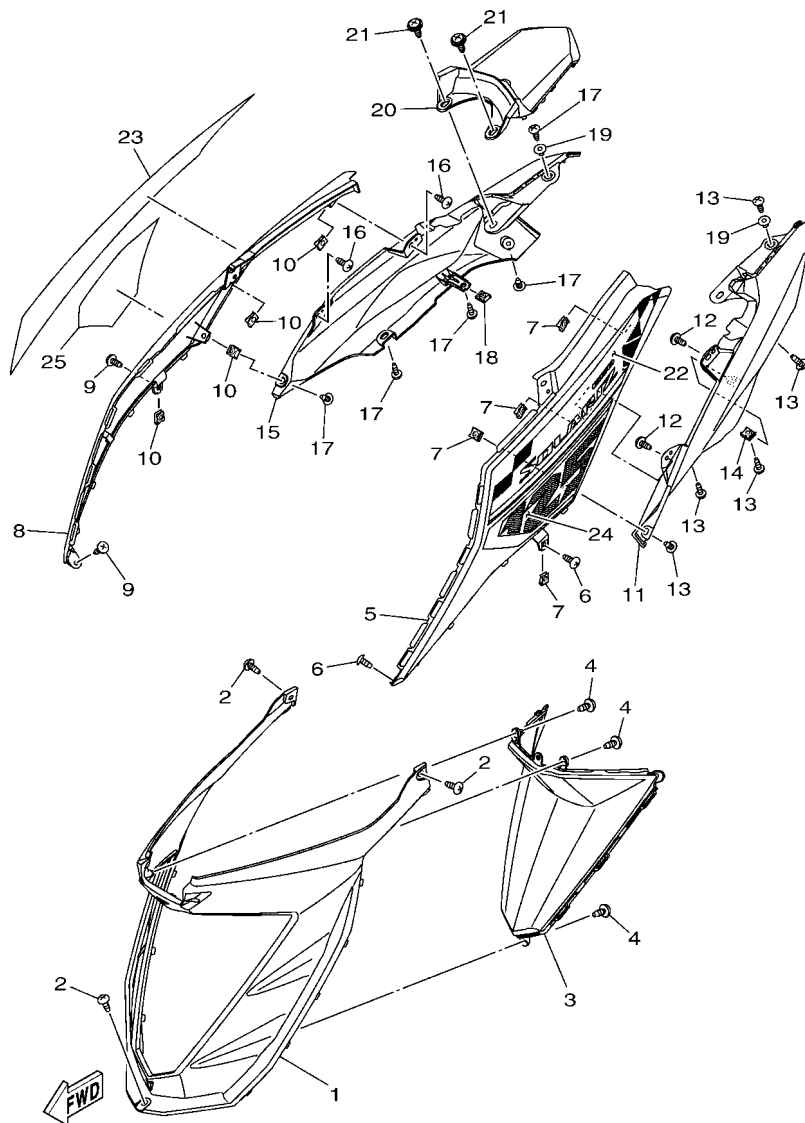
REF. NO.	PART NO.	DESCRIPTION	BF41				REMARKS
1	BF4-F1511-00-P0	FENDER, FRONT	1				UR FOR RM7
	BF4-F1511-00-P1	FENDER, FRONT	1				UR FOR BMC
	BF4-F1511-00-P2	FENDER, FRONT	1				UR FOR VDOM1
	BF4-F1511-00-P3	FENDER, FRONT	1				UR BWC1 FOR MC1
2	90109-06202	BOLT	3				
3	BF4-F1611-00	FENDER, REAR	1				
4	90109-06202	BOLT	2				
5	B92-F1621-00	FLAP	1				
6	90183-05807	NUT, SPRING	3				



BF41440-S160

FIG. 16 SIDE COVER

REF. NO.	PART NO.	DESCRIPTION	BF41				REMARKS
1	BF4-F172W-00	COVER	1				
2	97707-50016	SCREW, TRUSS HEAD TAPPING	3				
3	BF4-F171A-00	COVER, TOP	1				
4	97702-50014	SCREW, TAPPING	3				
5	BF4-F1711-00-P0	COVER, SIDE 1	1				UR FOR RM7
	BF4-F1711-00-P1	COVER, SIDE 1	1				UR FOR BMC
	BF4-F1711-00-P2	COVER, SIDE 1	1				UR FOR VDOM1
	BF4-F1711-00-P3	COVER, SIDE 1	1				UR FOR MC1
6	97707-50016	SCREW, TRUSS HEAD TAPPING	2				
7	90183-05807	NUT, SPRING	4				
8	BF4-F1721-00-P0	COVER, SIDE 2	1				UR FOR RM7
	BF4-F1721-00-P1	COVER, SIDE 2	1				UR FOR BMC
	BF4-F1721-00-P2	COVER, SIDE 2	1				UR FOR VDOM1
	BF4-F1721-00-P3	COVER, SIDE 2	1				UR FOR MC1
9	97707-50016	SCREW, TRUSS HEAD TAPPING	2				
10	90183-05807	NUT, SPRING	4				
11	BF4-F1731-00	COVER, SIDE 3	1				
12	97702-50014	SCREW, TAPPING	2				
13	97707-50016	SCREW, TRUSS HEAD TAPPING	5				
14	90183-05807	NUT, SPRING	1				
15	BF4-F1741-00	COVER, SIDE 4	1				
16	97702-50014	SCREW, TAPPING	2				
17	97707-50016	SCREW, TRUSS HEAD TAPPING	5				
18	90183-05807	NUT, SPRING	1				
19	90387-05820	COLLAR	2				
20	BF4-F171E-00	COVER, SIDE 5	1				
21	90159-06810	SCREW, WITH WASHER	2				

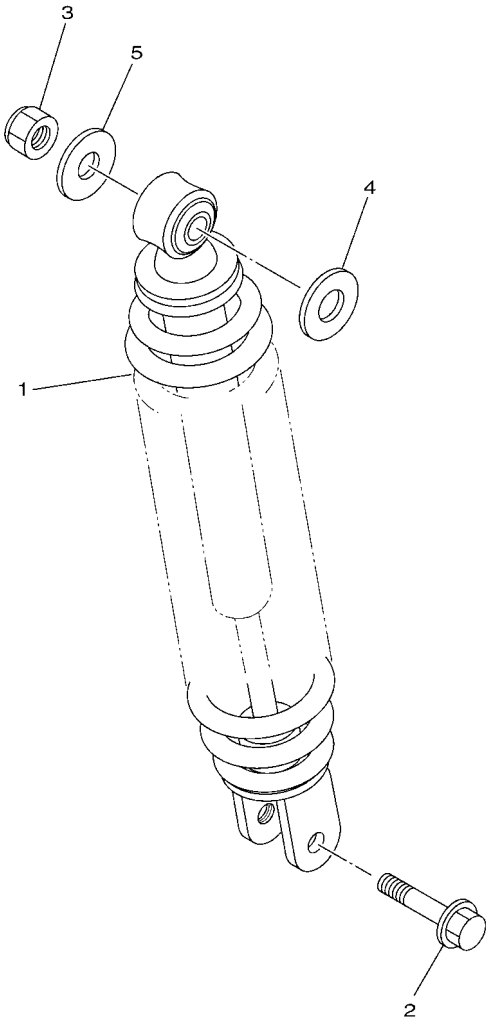


BF41440-S160

FIG. 16 SIDE COVER

REF. NO.	PART NO.	DESCRIPTION	BF41				REMARKS
22	BF4-F173E-00	GRAPHIC 1	1				UR FOR RM7
	BF4-F173E-10	GRAPHIC 1	1				UR FOR BMC
	BF4-F173E-20	GRAPHIC 1	1				UR FOR VDOM1
	BF4-F173E-30	GRAPHIC 1	1				UR FOR MC1
23	BF4-F173F-00	GRAPHIC 2	1				UR FOR RM7
	BF4-F173F-10	GRAPHIC 2	1				UR FOR BMC
	BF4-F173F-20	GRAPHIC 2	1				UR FOR VDOM1
	BF4-F173F-30	GRAPHIC 2	1				UR FOR MC1
24	BF4-F174G-00	GRAPHIC 3	1				UR FOR RM7
	BF4-F174G-10	GRAPHIC 3	1				UR FOR BMC
	BF4-F174G-20	GRAPHIC 3	1				UR FOR VDOM1
	BF4-F174G-30	GRAPHIC 3	1				UR FOR MC1
25	BF4-F174H-00	GRAPHIC 4	1				UR FOR RM7
	BF4-F174H-10	GRAPHIC 4	1				UR FOR BMC
	BF4-F174H-20	GRAPHIC 4	1				UR FOR VDOM1
	BF4-F174H-30	GRAPHIC 4	1				UR FOR MC1

FIG. 17 REAR ARM & SUSPENSION




 54S1431-L170

REF. NO.	PART NO.	DESCRIPTION	BF41				REMARKS
1	10C-F2210-30	SHOCK ABSORBER ASSY, REAR	1				
2	90105-08861	BOLT, FLANGE	1				
3	95302-10600	NUT, HEXAGON	1				
4	90201-12028	WASHER, PLATE	1				
5	90201-10065	WASHER, PLATE	1				

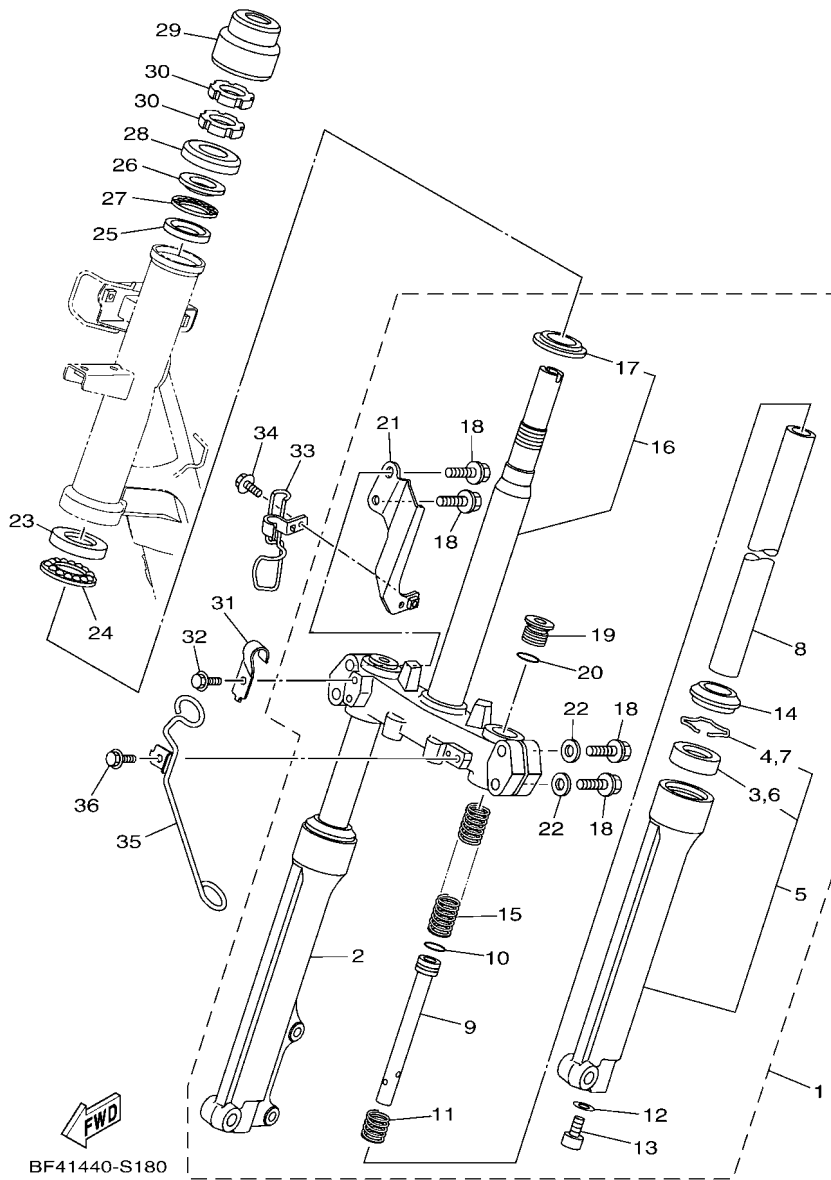


FIG. 18 STEERING

REF. NO.	PART NO.	DESCRIPTION	BF41				REMARKS
1	1VB-F3100-01	FRONT FORK ASSY	1				
2	1VB-F3136-00	.TUBE, OUTER 2	1				
3	4UV-F3145-00	.OIL SEAL	1				
4	5P0-F3156-00	.RING, SNAP	1				
5	1VB-F3126-00	.TUBE, OUTER (L.H)	1				
6	4UV-F3145-00	.OIL SEAL	1				
7	5P0-F3156-00	.RING, SNAP	1				
8	5VW-F3110-00	.INNER TUBE COMP.1	2				
9	1VB-F3170-00	.CYLINDER COMP., FRONT FORK	2				
10	2JG-F3157-00	.RING, PISTON	2				
11	31D-F3152-00	.SPRING, SUB	2				
12	509-F3158-L0	.GASKET	2				
13	31B-F3181-00	.BOLT, HEXAGON SOCKET HEAD	2				
14	5LL-F3144-00	.SEAL, DUST	2				
15	1VB-F3141-00	.SPRING, FRONT FORK	2				
16	4D0-F3340-00	.UNDER BRACKET COMP.	1				
17	156-F3411-00	.RACE, BALL 1	1				
18	4D0-F3346-00	.BOLT 1	4				
19	5VW-F3111-00	.BOLT, CAP	2				
20	2JG-F3147-00	.O-RING	2				
21	1VB-F334G-00	.BRACKET 1	1				
22	4D0-F3165-00	.WASHER, FELT	2				
23	1KL-F3412-10	RACE, BALL 2	1				
24	5VL-F341E-10	RETAINER, BALL BEARING	1				
25	4RT-F3412-10	RACE, BALL 2	1				
26	4RT-F3411-10	RACE, BALL 1	1				
27	1P6-F341E-10	RETAINER, BALL BEARING	1				

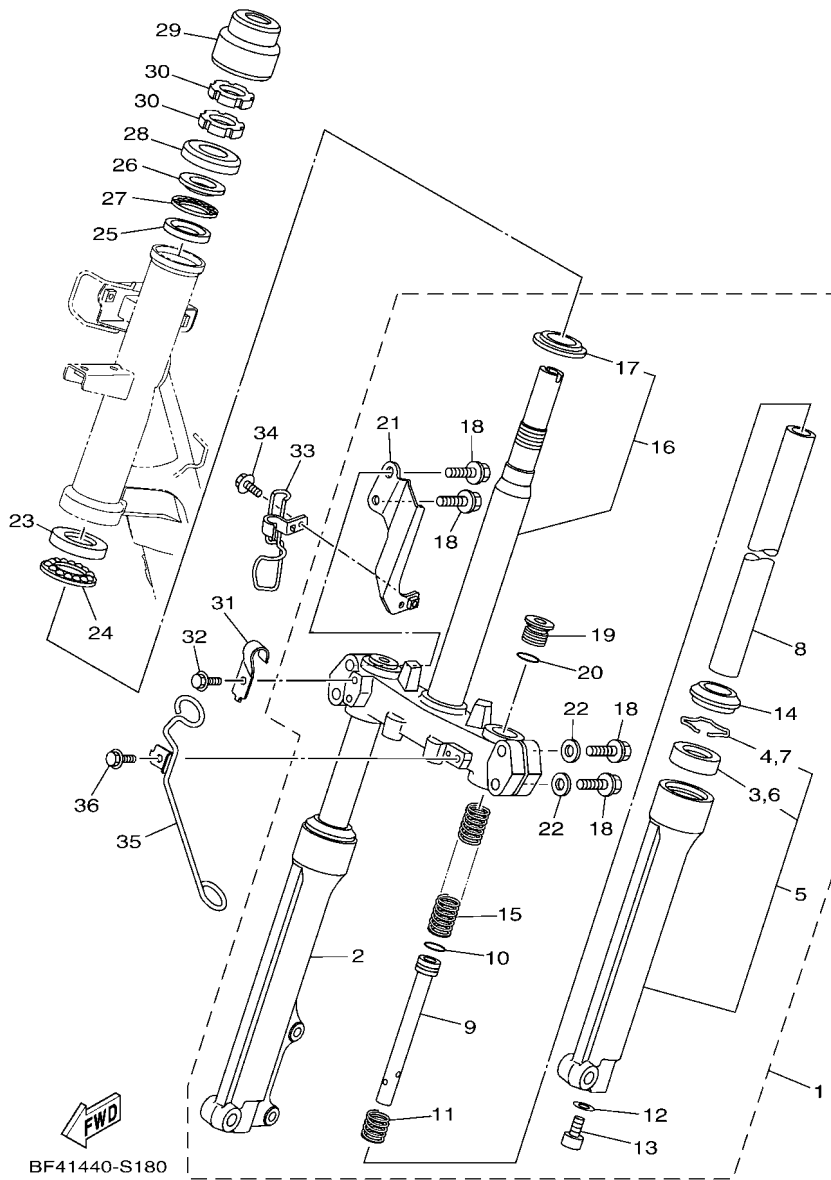
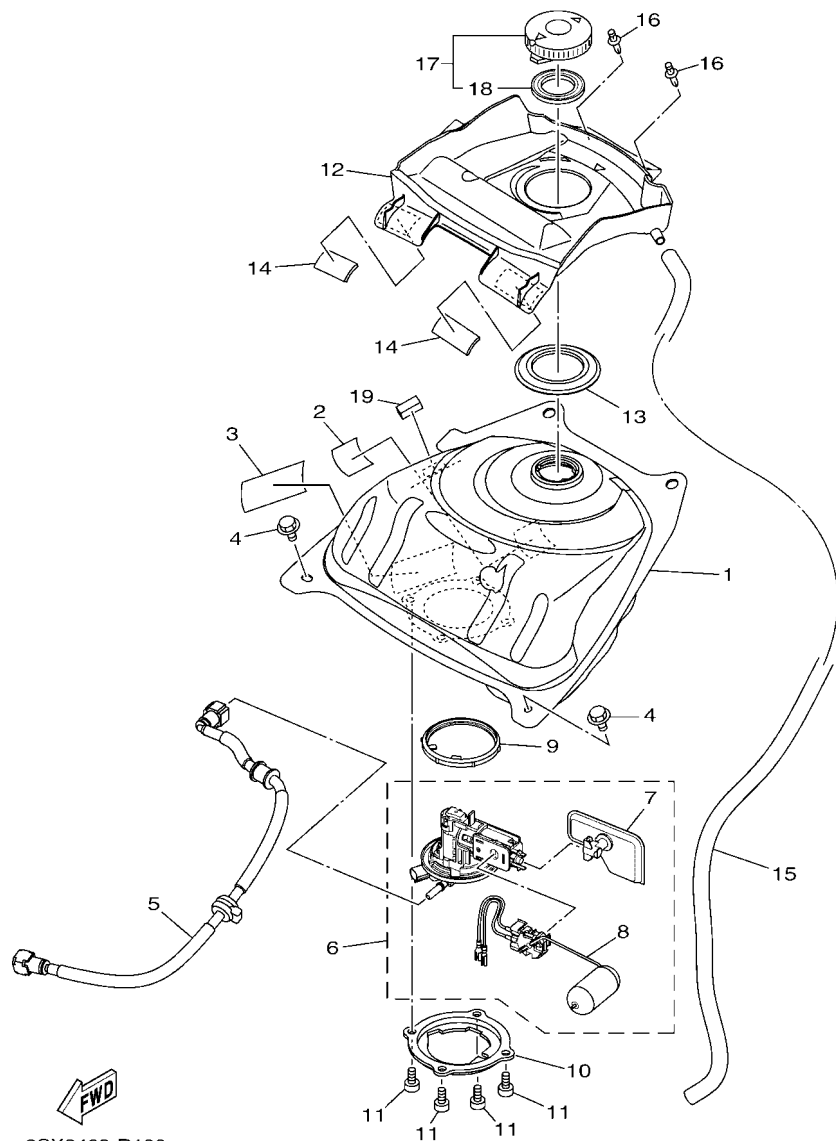


FIG. 18 STEERING

REF. NO.	PART NO.	DESCRIPTION	BF41				REMARKS
28	3AY-F3416-00	COVER, BALL RACE 2	1				
29	BF4-F3415-00	COVER, BALL RACE 1	1				
30	90179-25002	NUT	2				
31	BF4-F5875-00	HOLDER, BRAKE HOSE 1	1				
32	95D02-06010	BOLT, FLANGE DEEP RECESS	1				
33	1VB-F5876-00	HOLDER, BRAKE HOSE 2	1				
34	95D02-06010	BOLT, FLANGE DEEP RECESS	1				
35	BF4-F1164-00	HOLDER, CABLE	1				
36	95D02-06010	BOLT, FLANGE DEEP RECESS	1				

FIG. 19 FUEL TANK



2SX2460-R190

REF. NO.	PART NO.	DESCRIPTION	BF41				REMARKS
1	B92-F4110-00	FUEL TANK COMP.	1				
2	5D9-F414G-10	SEAL	1				
3	5D9-F414G-00	SEAL	1				
4	90119-06155	BOLT, WITH WASHER	2				
5	2PH-E3971-00	PIPE, FUEL 1	1				
6	2PH-E3907-00	FUEL PUMP COMP.	1				
7	54P-E3915-00	.FILTER, FUEL SUCTION	1				
8	2PH-H5752-00	.SENDER UNIT ASSY, FUEL METER	1				
9	54P-F414G-10	SEAL	1				
10	54P-F4491-00	BRACKET, FUEL PUMP	1				
11	91312-05010	BOLT	4				
12	B92-F41B1-00	COVER, TANK	1				
13	B92-F414G-00	SEAL	1				
14	5D9-H2126-00	PAD, BATTERY	2				
15	91A20-07065	TUBE, FLEXIBLE VINYL	1				
16	90269-06816	RIVET	2				
17	4YY-F4610-00	CAP ASSY	1				
18	4YY-F4612-00	.PACKING, CAP	1				
19	90520-08812	DAMPER, PLATE	1				

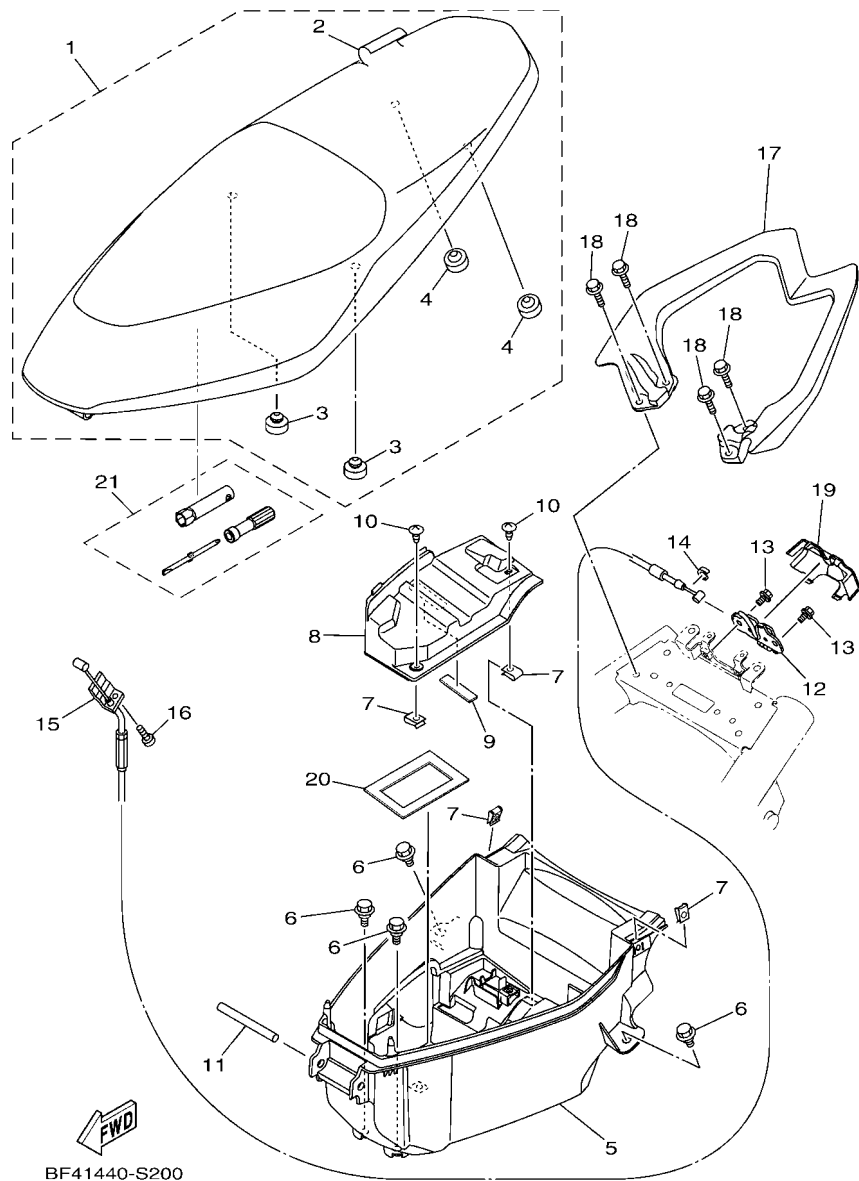
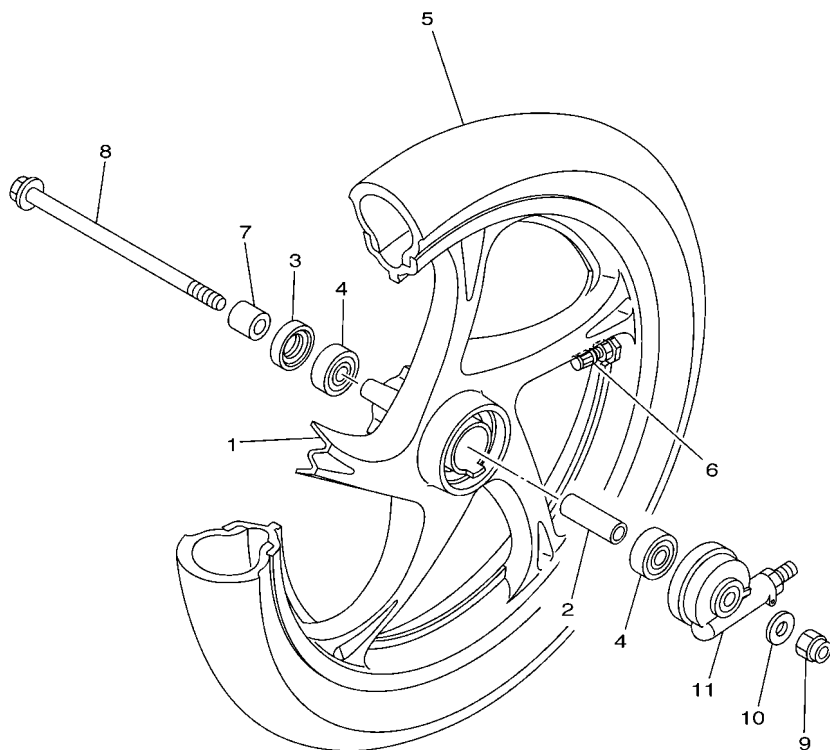


FIG. 20 SEAT

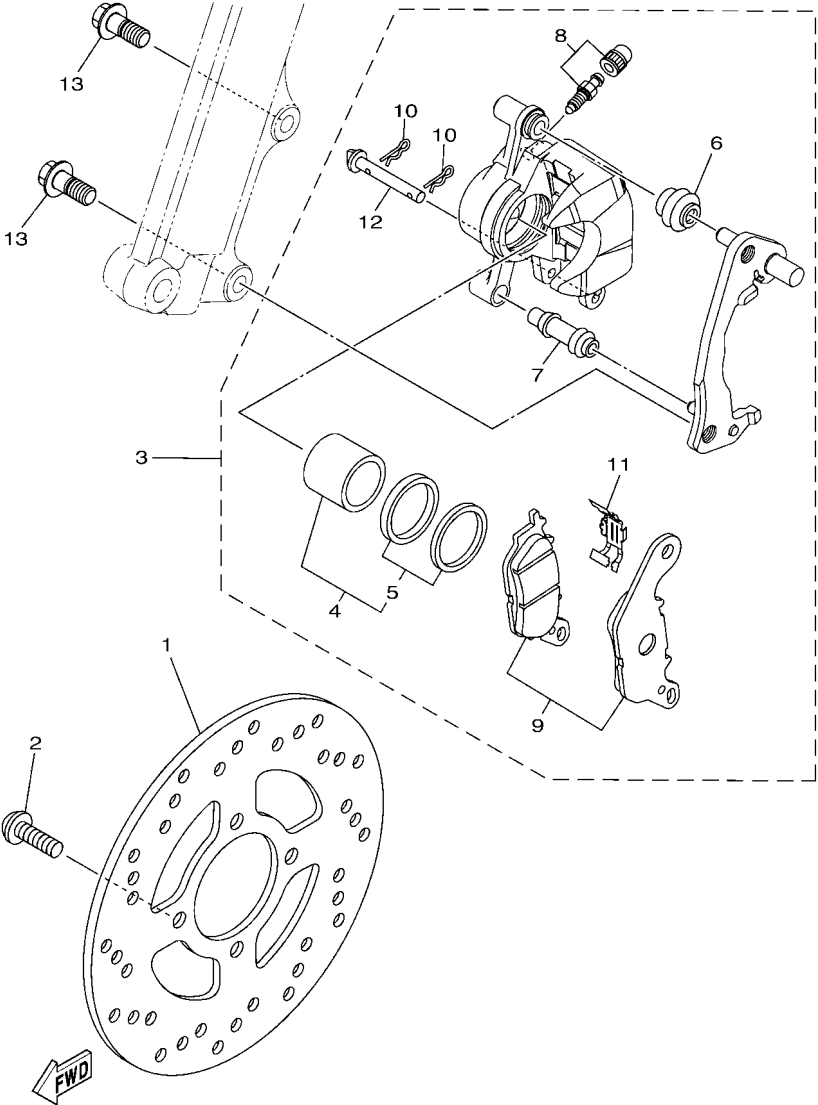
REF. NO.	PART NO.	DESCRIPTION	BF41				REMARKS
1	BF4-F4730-00	DOUBLE SEAT ASSY	1				
2	BF4-F470F-00	.SEAT COVER COMP.	1				
3	44P-F4741-00	.PAD, SEAT	2				
4	4HF-F4741-00	.PAD, SEAT	2				
5	BF4-F4704-00	BOX ASSY	1				
6	90109-06202	BOLT	4				
7	90183-05807	NUT, SPRING	4				
8	BF4-H2129-00	COVER, BATTERY	1				
9	90520-03806	DAMPER, PLATE	1				
10	97707-50012	SCREW, TRUSS HEAD TAPPING	2				
11	2WB-F4727-00	PIN, SEAT FITTING	1				
12	5P1-F4780-01	SEAT LOCK ASSY	1				
13	95022-06010	BOLT, FLANGE	2				
14	1S8-F4768-00	STOPPER	1				
15	BF4-F478E-00	CABLE, SEAT LOCK	1				
16	98507-05010	SCREW, PAN HEAD	1				
17	BF4-F4773-00-P0	HANDLE, SEAT	1				SMX FOR RM7,BMC
	BF4-F4773-00-1A	HANDLE, SEAT	1				NW FOR VDOM1
	BF4-F4773-00-P1	HANDLE, SEAT	1				FOR MC1
18	95D32-06020	BOLT, FLANGE DEEP RECESS	4				
19	B92-F472T-00	COVER, SEAT LOCK	1				
20	1VB-H2176-00	DAMPER	1				
21	1VB-F8100-00	TOOL KIT	1				

FIG. 21 FRONT WHEEL



REF. NO.	PART NO.	DESCRIPTION	BF41				REMARKS
1	1VB-F5168-00-33	CAST WHEEL, FRONT	1				YB
2	90560-10292	SPACER	1				
3	93106-20808	OIL SEAL	1				
4	93306-300X8	BEARING	2				
5	94107-14807	TIRE (70/90-14 M/C 34P V282F)	1				VEE RUBBER
6	93900-00817	VALVE, RIM (TR412)	1				
7	90387-10837	COLLAR	1				
8	3NA-F5181-01	AXLE, WHEEL	1				
9	90185-10811	NUT, SELF-LOCKING	1				
10	90201-10831	WASHER, PLATE	1				
11	5TL-F5190-01	GEAR UNIT ASSY	1				

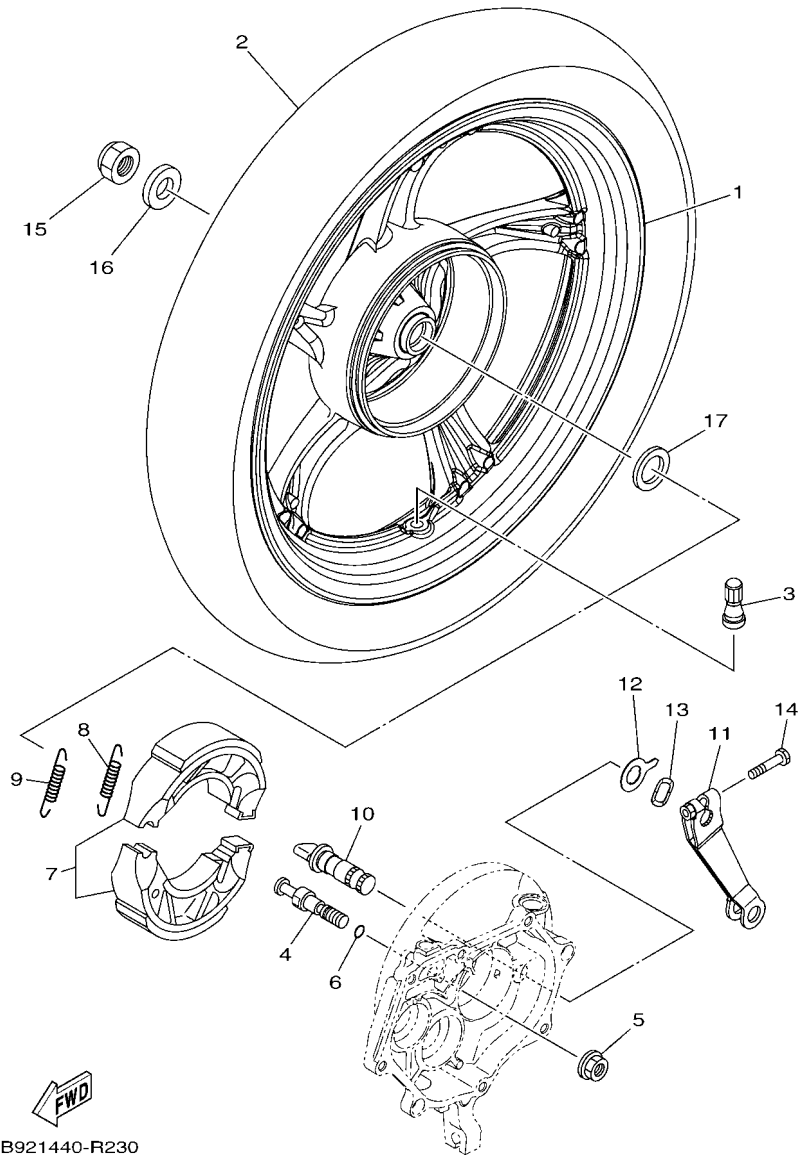
FIG. 22 FRONT BRAKE CALIPER



BF41440-S220

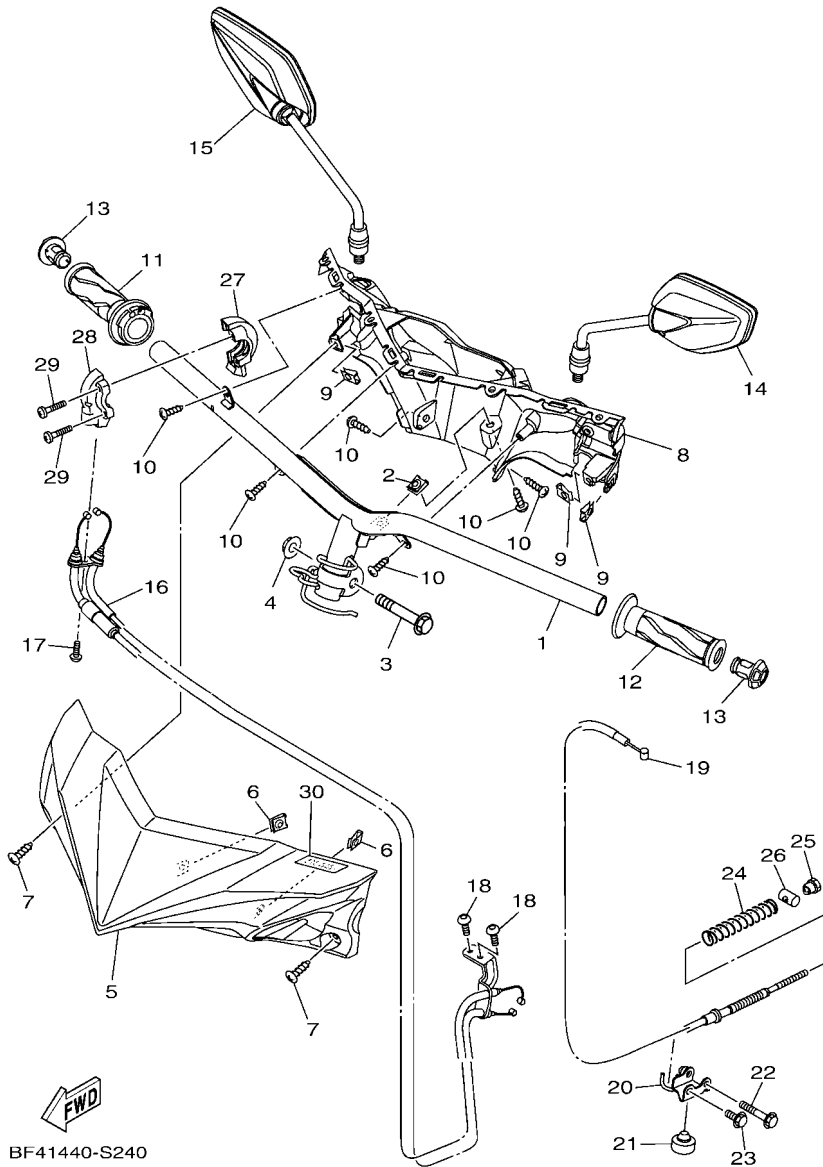
REF. NO.	PART NO.	DESCRIPTION	BF41				REMARKS
1	5TL-F582U-10	DISK, BRAKE (RIGHT)	1				
2	90111-08853	BOLT,HEX. SOCKET BUTTON	4				
3	2PH-F580U-01	CALIPER ASSY (RIGHT)	1				
4	2BM-F5802-00	.PISTON ASSY, CALIPER	1				
5	5YP-F5803-50	..CALIPER SEAL KIT	1				
6	2BM-F5917-00	.BOOT, CALIPER	1				
7	5YP-F5937-00	.BOOT 2	1				
8	4C9-W0048-00	.BLEED SCREW KIT	1				
9	2BM-F5805-00	.BRAKE PAD KIT	1				
10	5YP-F5925-01	.CLIP	2				
11	2BM-F5919-00	.SUPPORT, PAD	1				
12	5YP-F5924-00	.PIN, PAD	1				
13	90105-10831	BOLT, FLANGE	2				

FIG. 23 REAR WHEEL



REF. NO.	PART NO.	DESCRIPTION	BF41				REMARKS
1	44P-F5338-00-33	CAST WHEEL, REAR	1				YB
2	94108-14809	TIRE (80/90-14 M/C 46P V280R)	1				VEE RUBBER
3	93900-00817	VALVE, RIM (TR412)	1				
4	54P-F5326-00	PIN, PIVOT	1				
5	95702-10500	NUT, FLANGE	1				
6	93210-07802	O-RING	1				
7	5LW-F530K-00	BRAKE SHOE SET	1				
8	90506-12001	SPRING, TENSION	1				
9	90506-15001	SPRING, TENSION	1				
10	10C-F5351-00	CAMSHAFT	1				
11	2PH-F5355-00	LEVER, CAMSHAFT	1				
12	5LW-F533A-00	PLATE, INDICATOR	1				
13	90206-14093	WASHER, WAVE	1				
14	90101-06046	BOLT	1				
15	90185-16800	NUT, SELF-LOCKING	1				
16	90201-16810	WASHER, PLATE	1				
17	90201-220J8	WASHER, PLATE	1				

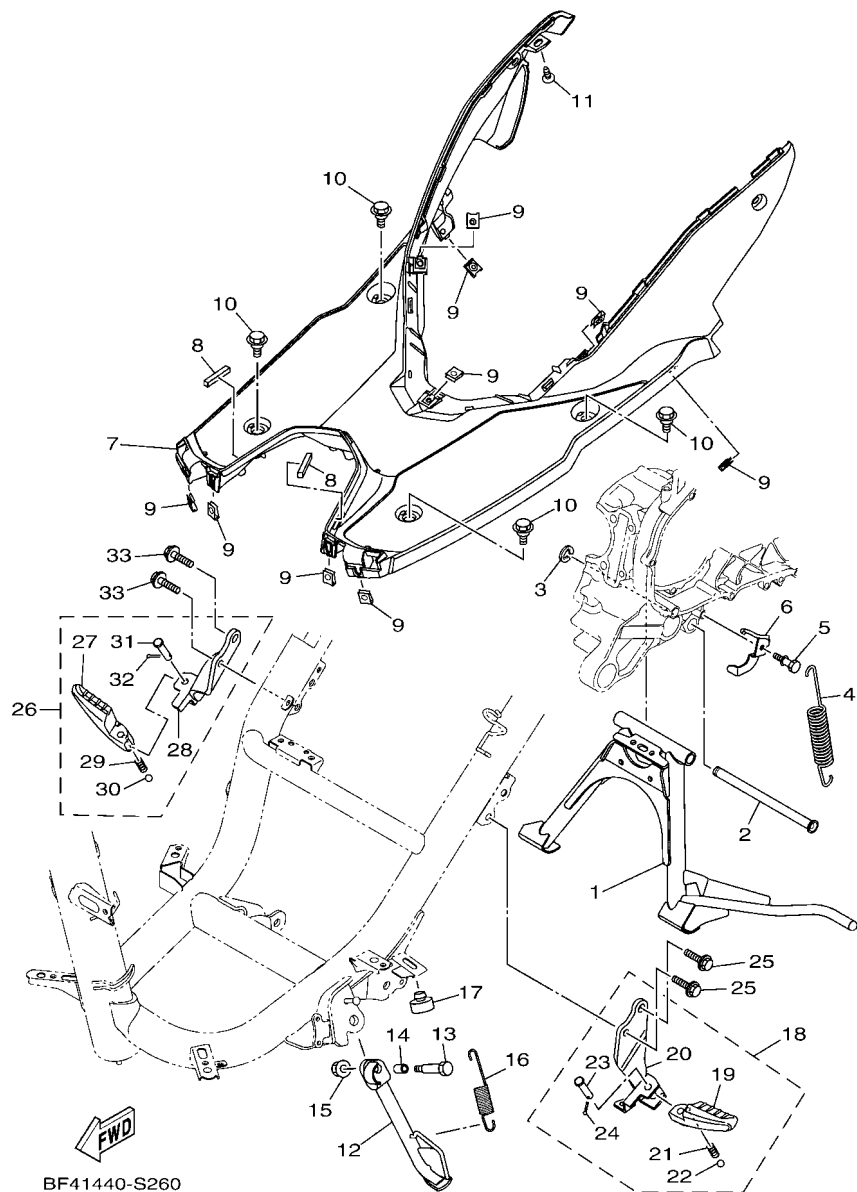
FIG. 24 STEERING HANDLE & CABLE



BF41440-S240

REF. NO.	PART NO.	DESCRIPTION	BF41				REMARKS
1	BF4-F6110-00	HANDLE COMP.	1				
2	90183-05807	NUT, SPRING	1				
3	90105-10896	BOLT, FLANGE	1				
4	90185-10011	NUT, SELF-LOCKING	1				
5	BF4-F6143-00-P0	COVER, HANDLE UPPER 1	1				UR FOR RM7
	BF4-F6143-00-P1	COVER, HANDLE UPPER 1	1				UR FOR BMC
	BF4-F6143-00-P2	COVER, HANDLE UPPER 1	1				UR FOR VDOM1
	BF4-F6143-00-P3	COVER, HANDLE UPPER 1	1				UR BWC1 FOR MC1
6	90183-05807	NUT, SPRING	2				
7	97707-50016	SCREW, TRUSS HEAD TAPPING	2				
8	BF4-F6145-00	COVER, HANDLE UPPER 2	1				
9	90183-05807	NUT, SPRING	3				
10	97707-50016	SCREW, TRUSS HEAD TAPPING	6				
11	B92-F6240-00	GRIP ASSY	1				
12	1VP-F6241-00	GRIP	1				
13	B92-F6246-00	END, GRIP	2				
14	2WB-F6280-00	REAR VIEW MIRROR ASSY (LEFT)	1				
15	2WB-F6290-00	REAR VIEW MIRROR ASSY (RIGHT)	1				
16	BF4-F6301-00	THROTTLE CABLE ASSY	1				
17	92012-05016	BOLT, BUTTON HEAD	1				
18	92012-05010	BOLT, BUTTON HEAD	2				
19	1VB-F6351-00	CABLE, BRAKE	1				
20	B92-F637G-00	HOLDER, WIRE	1				
21	B92-F6257-00	STOPPER	1				
22	95022-06040	BOLT, FLANGE	1				
23	95022-06014	BOLT, FLANGE	1				
24	90501-16003	SPRING, COMPRESSION	1				

FIG. 26 STAND & FOOTREST



BF41440-S260

REF. NO.	PART NO.	DESCRIPTION	BF41				REMARKS
1	B92-F7111-00	STAND, MAIN	1				
2	2PH-F7112-00	SHAFT, MAIN STAND	1				
3	99002-09600	CIRCLIP	1				
4	90506-35821	SPRING, TENSION	1				
5	5LW-F7254-00	HOOK	1				
6	B92-F7267-00	GUIDE, WIRE	1				
7	BF4-F7481-00	BOARD, FOOTREST	1				
8	90520-08004	DAMPER, PLATE	2				
9	90183-05807	NUT, SPRING	9				
10	90109-06220	BOLT	4				
11	97707-50016	SCREW, TRUSS HEAD TAPPING	1				
12	B92-F7311-00	STAND, SIDE	1				
13	90101-08847	BOLT	1				
14	90387-08820	COLLAR	1				
15	95602-08200	NUT, U FLANGE	1				
16	90506-20514	SPRING, TENSION	1				
17	B92-F6257-00	STOPPER	1				
18	B92-F7430-00	REAR FOOTREST ASSY 1	1				
19	B92-F7431-00	.FOOTREST, REAR 1	1				
20	B92-F7432-00	.BRACKET 1	1				
21	90501-12743	.SPRING, COMPRESSION	1				
22	93501-04823	.BALL	1				
23	91701-08035	.PIN	1				
24	91401-25015	.PIN, COTTER	1				
25	95D02-08030	BOLT, FLANGE DEEP RECESS	2				
26	B92-F7440-00	REAR FOOTREST ASSY 2	1				
27	B92-F7441-00	.FOOTREST, REAR 2	1				

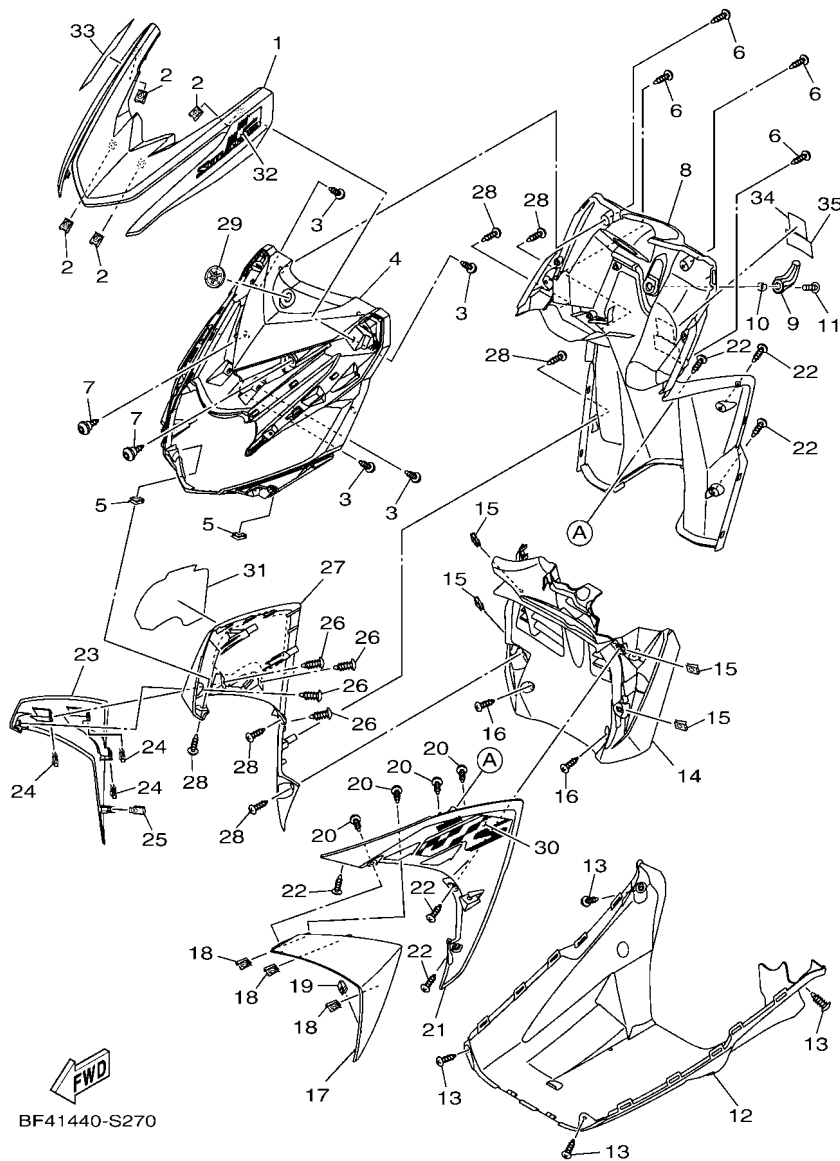
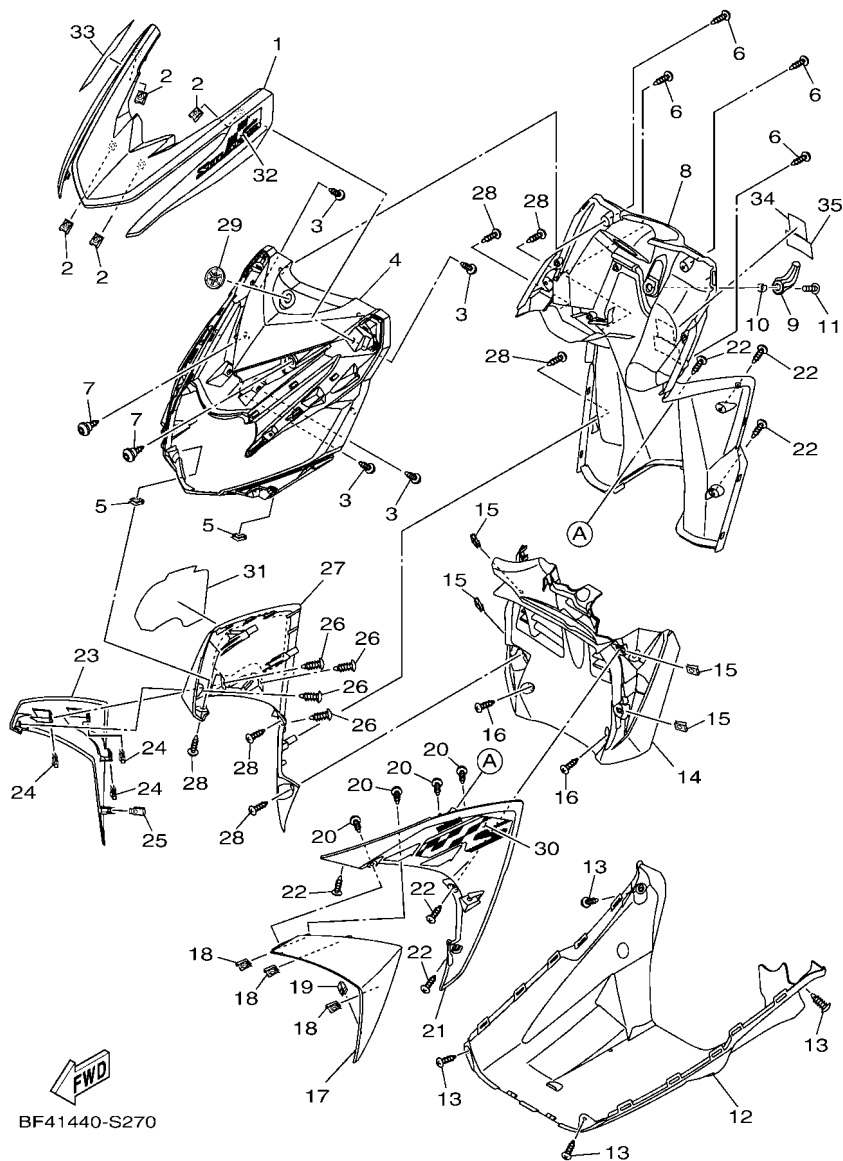


FIG. 27 LEG SHIELD

REF. NO.	PART NO.	DESCRIPTION	BF41				REMARKS
1	BF4-F3391-00-P0	PANEL, FRONT	1				UR FOR RM7
	BF4-F3391-00-P1	PANEL, FRONT	1				UR FOR BMC
	BF4-F3391-00-P2	PANEL, FRONT	1				UR FOR VDOM1
	BF4-F3391-00-P3	PANEL, FRONT	1				UR BWC1 FOR MC1
2	90183-05807	NUT, SPRING	4				
3	97702-50014	SCREW, TAPPING	4				
4	BF4-F8311-00	LEG SHIELD 1	1				
5	90183-05807	NUT, SPRING	2				
6	97707-50016	SCREW, TRUSS HEAD TAPPING	4				
7	90109-068A3	BOLT	2				
8	BF4-F8300-00	LEG SHIELD ASSY	1				
9	B92-F8257-00	HOOK 1	1				
10	B92-F8373-00	COLLAR	1				
11	90111-06051	BOLT,HEX. SOCKET BUTTON	1				
12	B92-F8385-00	COVER, UNDER	1				
13	97707-50016	SCREW, TRUSS HEAD TAPPING	4				
14	BF4-F1552-00	FENDER, INNER	1				
15	90183-05807	NUT, SPRING	4				
16	97707-50016	SCREW, TRUSS HEAD TAPPING	2				
17	BF4-F8345-00	MOLE 1	1				
18	90183-05807	NUT, SPRING	3				
19	5P0-F8379-00	HOOK	1				
20	97707-50014	SCREW, TRUSS HEAD TAPPING	4				
21	BF4-F835U-00-P0	PANEL 1	1				UR FOR RM7
	BF4-F835U-00-P1	PANEL 1	1				UR BWC1 FOR BMC
	BF4-F835U-00-1A	PANEL 1	1				UR NW FOR VDOM1
	BF4-F835U-00-P2	PANEL 1	1				UR FOR MC1

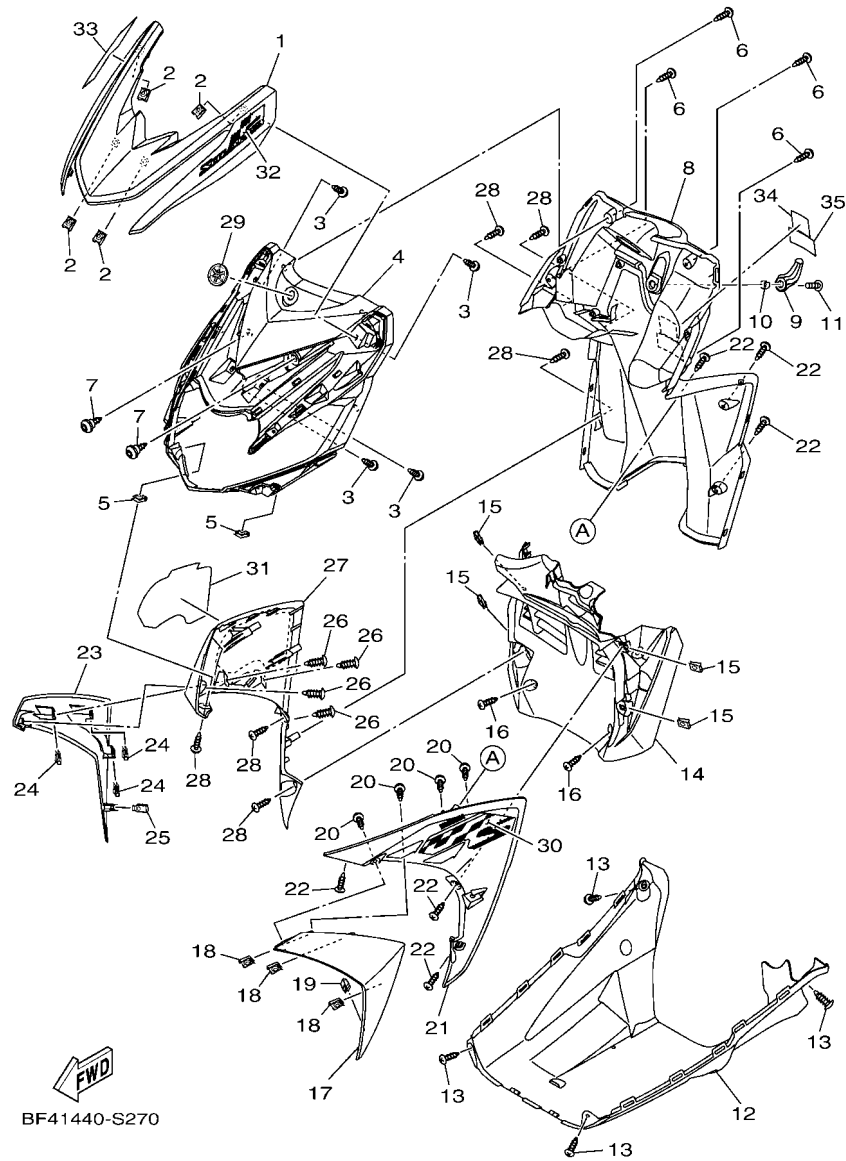
FIG. 27 LEG SHIELD



BF41440-S270

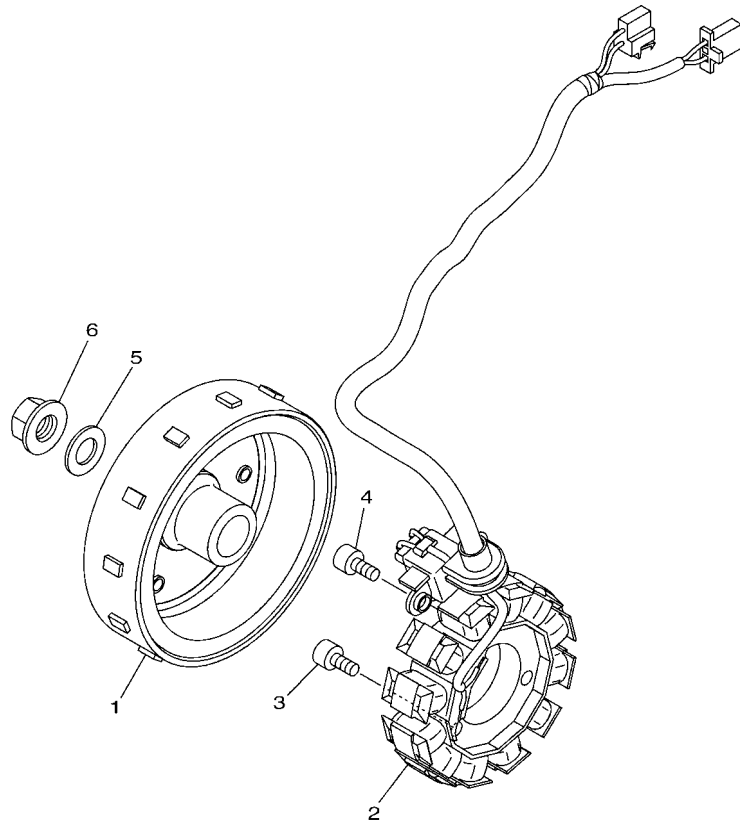
REF. NO.	PART NO.	DESCRIPTION	BF41				REMARKS
22	97707-50016	SCREW, TRUSS HEAD TAPPING	6				
23	BF4-F8346-00	MOLE 2	1				
24	90183-05807	NUT, SPRING	3				
25	5P0-F8379-00	HOOK	1				
26	97702-50014	SCREW, TAPPING	4				
27	BF4-F835V-00-P0	PANEL 2	1				UR FOR RM7
	BF4-F835V-00-P1	PANEL 2	1				UR BWC1 FOR BMC
	BF4-F835V-00-1A	PANEL 2	1				UR NW FOR VDOM1
	BF4-F835V-00-P2	PANEL 2	1				UR FOR MC1
28	97707-50016	SCREW, TRUSS HEAD TAPPING	6				
29	5TL-F3108-00	EMBLEM	1				
30	BF4-F8391-00	GRAPHIC 1	1				UR FOR RM7
	BF4-F8391-10	GRAPHIC 1	1				UR FOR BMC
	BF4-F8391-20	GRAPHIC 1	1				UR FOR VDOM1
	BF4-F8391-30	GRAPHIC 1	1				UR FOR MC1
31	BF4-F8392-00	GRAPHIC 2	1				UR FOR RM7
	BF4-F8392-10	GRAPHIC 2	1				UR FOR BMC
	BF4-F8392-20	GRAPHIC 2	1				UR FOR VDOM1
	BF4-F8392-30	GRAPHIC 2	1				UR FOR MC1
32	BF4-F8393-00	GRAPHIC 3	1				UR FOR RM7
	BF4-F8393-10	GRAPHIC 3	1				UR FOR BMC
	BF4-F8393-20	GRAPHIC 3	1				UR FOR VDOM1
	BF4-F8393-30	GRAPHIC 3	1				UR FOR MC1
33	BF4-F8394-00	GRAPHIC 4	1				UR FOR RM7
	BF4-F8394-10	GRAPHIC 4	1				UR FOR BMC
	BF4-F8394-20	GRAPHIC 4	1				UR FOR VDOM1
	BF4-F8394-30	GRAPHIC 4	1				UR FOR MC1

FIG. 27 LEG SHIELD



REF. NO.	PART NO.	DESCRIPTION	BF41				REMARKS
34	BF4-F1568-00	LABEL, WARNING	1				
35	BF4-F1668-00	LABEL, TIRE	1				

FIG. 28 GENERATOR

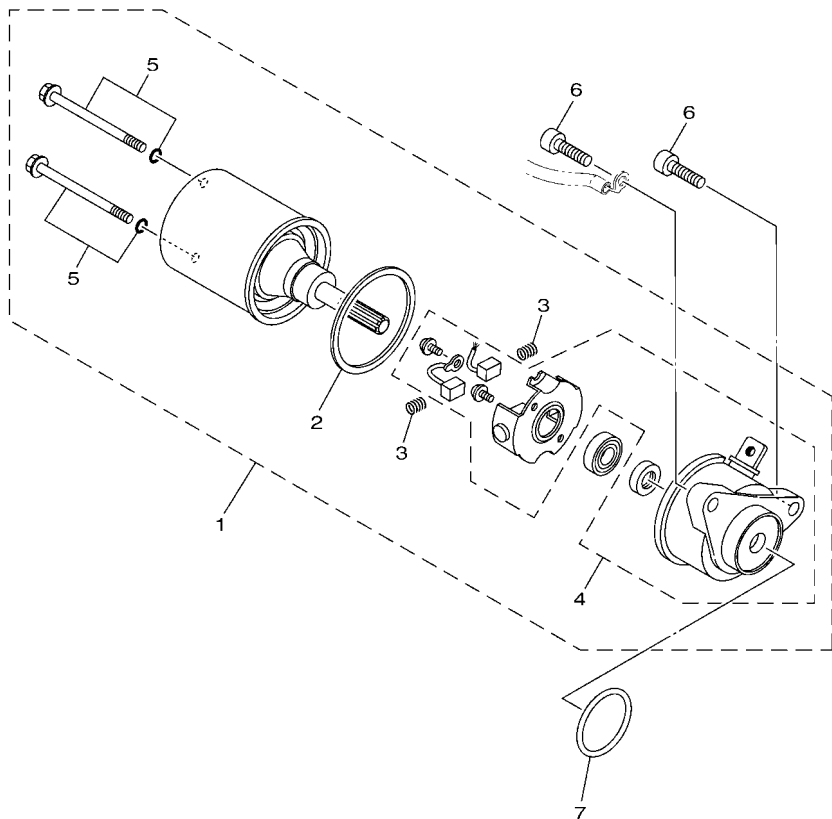



2PH1460-P300

REF. NO.	PART NO.	DESCRIPTION	BF41				REMARKS
1	2PH-H1450-20	ROTOR ASSY	1				
2	2PH-H1410-10	STATOR ASSY	1				
3	91312-06020	BOLT	3				
4	91312-06020	BOLT	2				
5	90201-12823	WASHER, PLATE	1				
6	90179-12004	NUT	1				
<hr/>							
<hr/>							
<hr/>							
<hr/>							
<hr/>							
<hr/>							
<hr/>							
<hr/>							

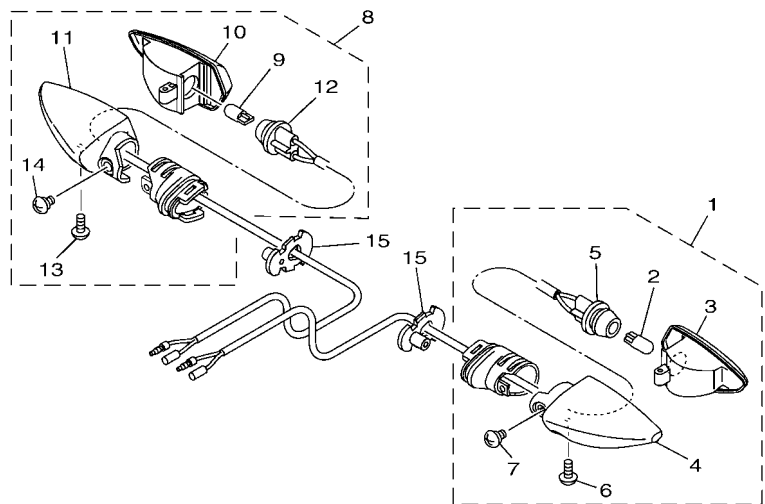
FIG. 29 STARTING MOTOR

REF. NO.	PART NO.	DESCRIPTION	BF41				REMARKS
1	2SX-H1890-00	MOTOR ASSY	1				
2	1KP-H1847-00	.O-RING	1				
3	1KP-H1617-00	.SPRING, BRUSH	2				
4	2SX-H1830-00	.FRONT BRACKET ASSY	1				
5	2SX-H1828-00	.SCREW 2	2				
6	91312-06020	BOLT	2				
7	93210-29803	O-RING	1				



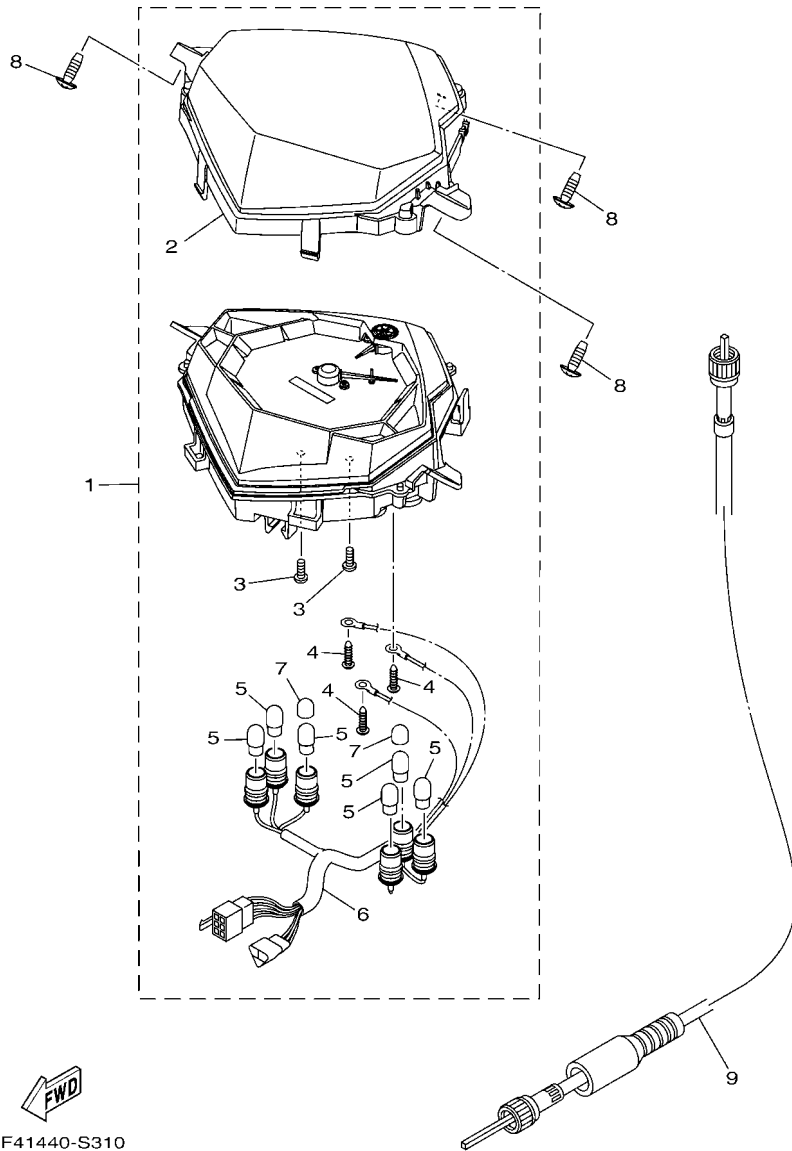
2SX1460-P290

FIG. 30 FLASHER LIGHT



REF. NO.	PART NO.	DESCRIPTION	BF41				REMARKS
1	55D-H3330-01	REAR FLASHER LIGHT ASSY 1	1				
2	55D-H3311-00	.BULB, FLASHER (12V-10W)	1				
3	55D-H333A-00	.LENS COMP 1	1				
4	55D-H3323-00	.BODY	1				
5	55D-H333E-01	.CORD ASSY	1				
6	55D-H3333-00	.SCREW, LENS FITTING	1				
7	55D-H3358-00	.SCREW, SPECIAL	1				
8	55D-H3340-01	REAR FLASHER LIGHT ASSY 2	1				
9	55D-H3311-00	.BULB, FLASHER (12V-10W)	1				
10	55D-H334A-00	.LENS COMP 2	1				
11	55D-H332M-00	.BODY 2	1				
12	55D-H334E-01	.CORD ASSY	1				
13	55D-H3333-00	.SCREW, LENS FITTING	1				
14	55D-H3358-00	.SCREW, SPECIAL	1				
15	1VP-H3318-00	STAY, FLASHER 1	2				


BF41440-S300



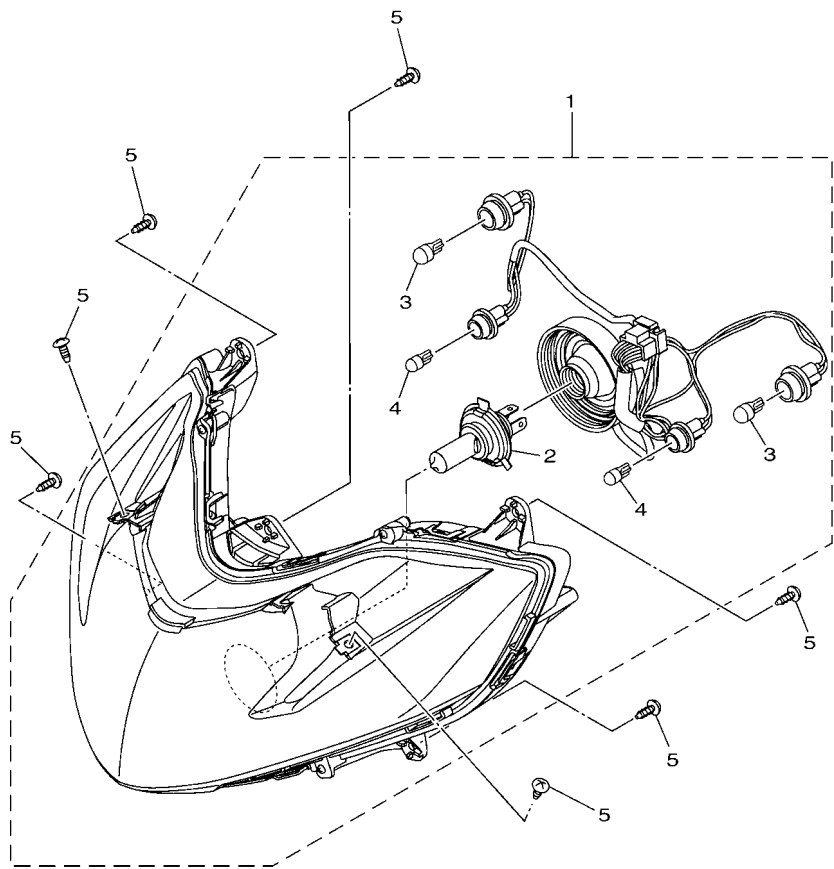
BF41440-S310

FIG. 31 METER

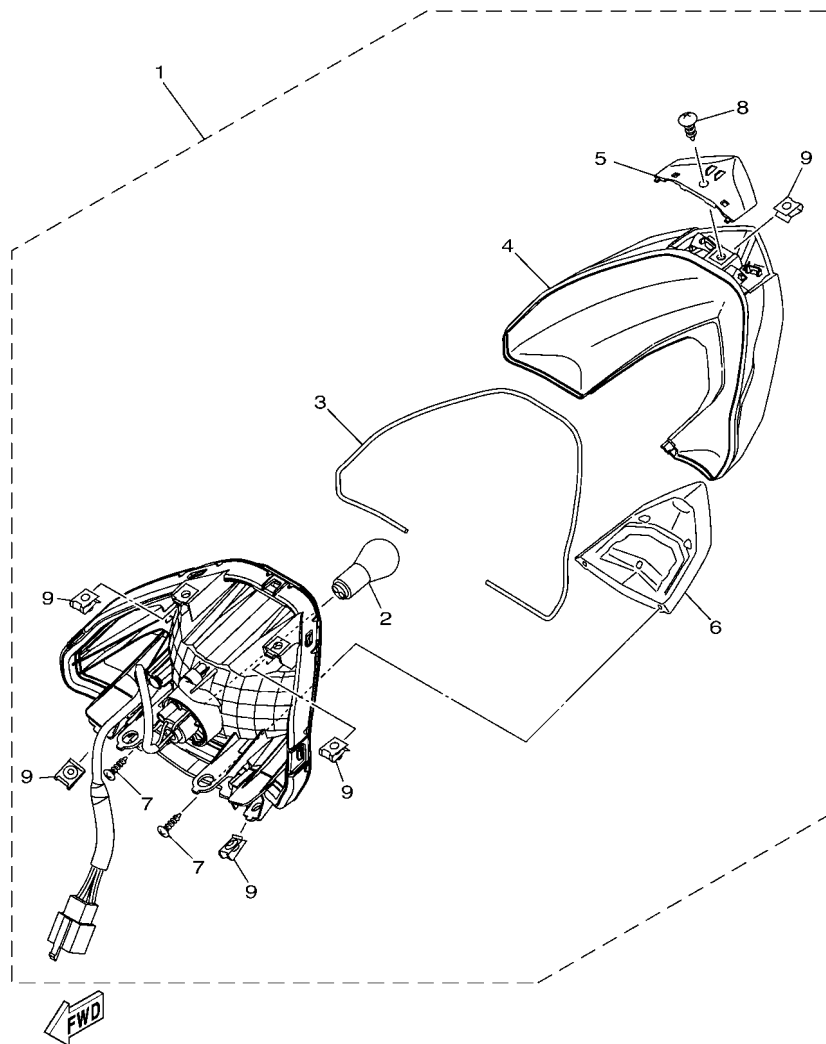
REF. NO.	PART NO.	DESCRIPTION	BF41				REMARKS
1	BF4-H3510-00	SPEEDOMETER ASSY	1				
2	BF4-H3511-00	.LENS, SPEEDOMETER	1				
3	1VP-H3358-00	.SCREW, SPECIAL	2				
4	1VP-H3645-00	.SCREW	3				
5	5LW-H3518-00	.BULB, METER (T10 12V-1.7W)	6				
6	BF4-H3509-00	.SOCKET CORD ASSY	1				
7	1VP-H3606-00	.CAP, BULB	2				
8	97707-50016	SCREW, TRUSS HEAD TAPPING	3				
9	2BR-H3550-00	SPEEDOMETER CABLE ASSY	1				

FIG. 32 HEADLIGHT

REF. NO.	PART NO.	DESCRIPTION	BF41				REMARKS
1	BF4-H4300-00	HEADLIGHT ASSY	1				
2	1VP-H4314-00	.BULB, HEADLIGHT (12V 35/35W)	1				
3	55D-H3311-00	.BULB, FLASHER (12V-10W)	2				
4	1VP-H4147-00	.BULB, FLASHER (12V-16W)	2				
5	97702-50014	SCREW, TAPPING	7				



BF41440-S320

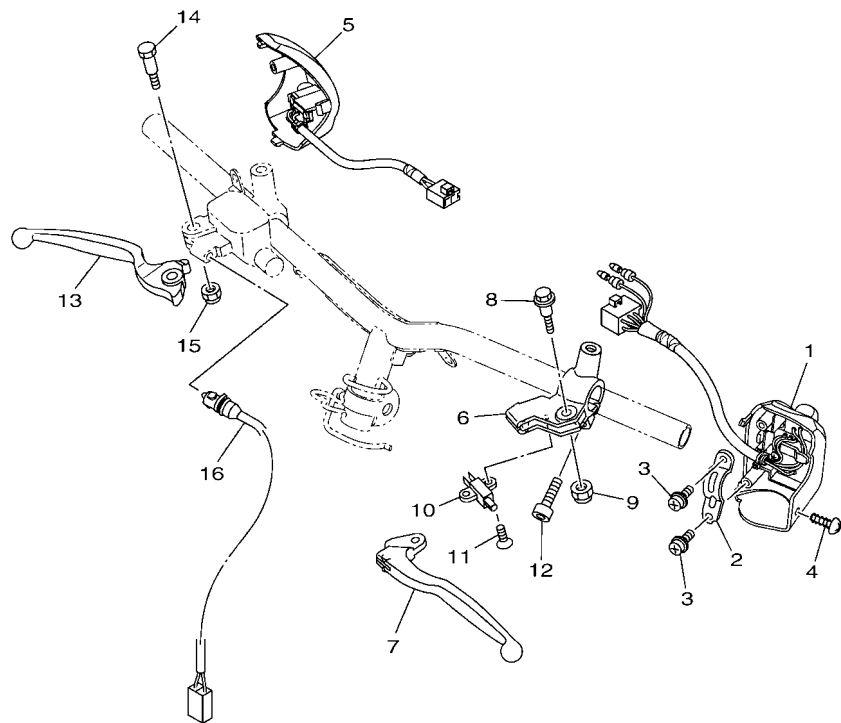


BF41440-S330

FIG. 33 TAILLIGHT

REF. NO.	PART NO.	DESCRIPTION	BF41				REMARKS
1	BF4-H4710-00	TAILLIGHT UNIT ASSY	1				
2	1VP-H4714-00	.BULB, TAILLIGHT (12V-21/5W)	1				
3	BF4-H4723-00	.GASKET, TAIL LENS	1				
4	BF4-H4721-00	.LENS, TAILLIGHT	1				
5	BF4-H4516-00	.COVER, TAILLIGHT	1				
6	BF4-H4716-00	.COVER, TAILLIGHT	1				
7	97702-03012	.SCREW, TAPPING	2				
8	97707-50012	.SCREW, TRUSS HEAD TAPPING	1				
9	90183-05807	.NUT, SPRING	5				

FIG. 34 HANDLE SWITCH & LEVER



REF. NO.	PART NO.	DESCRIPTION	BF41				REMARKS
1	1KP-H3973-10	SWITCH, HANDLE 3	1				
2	1S8-H3955-01	BRACKET 1	1				
3	97602-05216	SCREW, PAN HEAD WITH WASHER	2				
4	97707-50016	SCREW, TRUSS HEAD TAPPING	1				
5	1KP-H3976-10	SWITCH, HANDLE 1	1				
6	5TL-H2911-20	HOLDER, LEVER 1	1				
7	5TL-H3912-20	LEVER 1	1				
8	90109-06814	BOLT	1				
9	95602-06100	NUT, S/L	1				
10	5TL-H3980-10	FRONT STOP SWITCH ASSY	1				
11	9870M-03008	SCREW, FLAT HEAD	1				
12	91312-06020	BOLT	1				
13	5TL-H3922-00	LEVER 2	1				
14	90109-06255	BOLT	1				
15	95602-06100	NUT, S/L	1				
16	54P-H3980-00	FRONT STOP SWITCH ASSY	1				


BF41440-S340

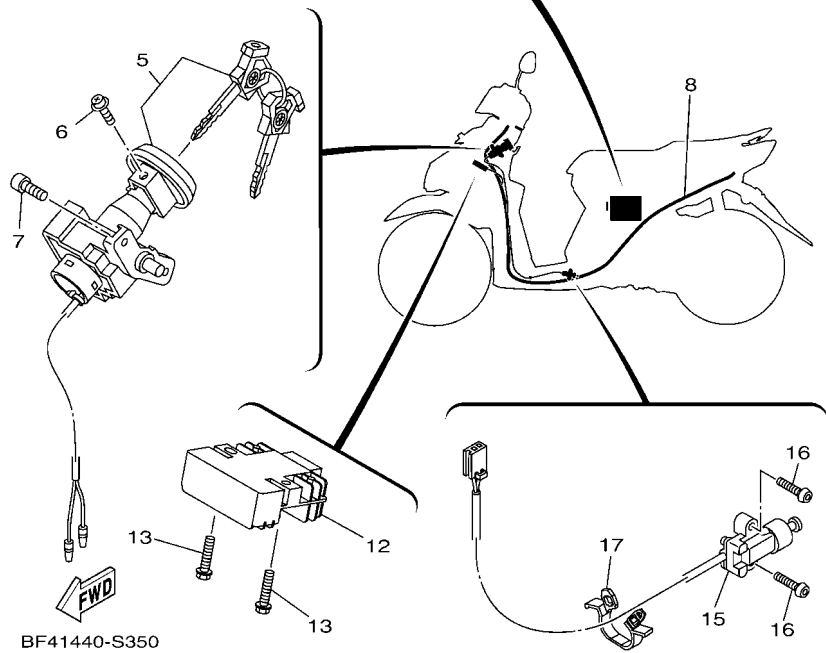
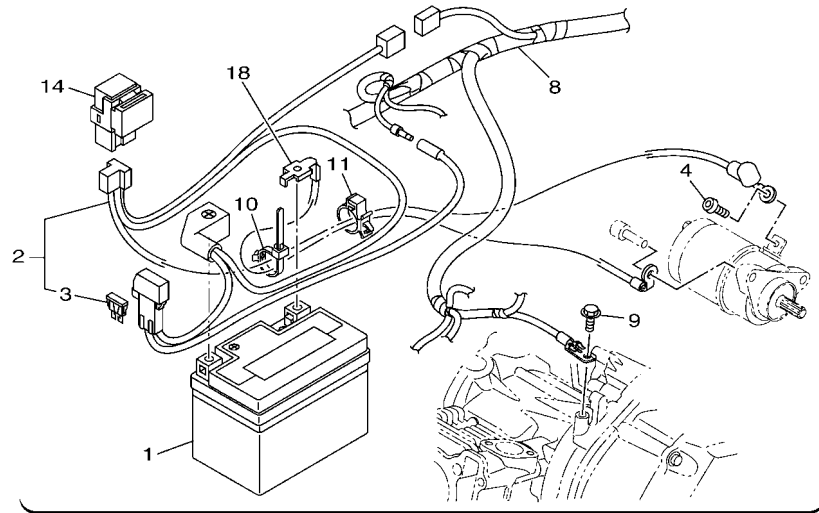
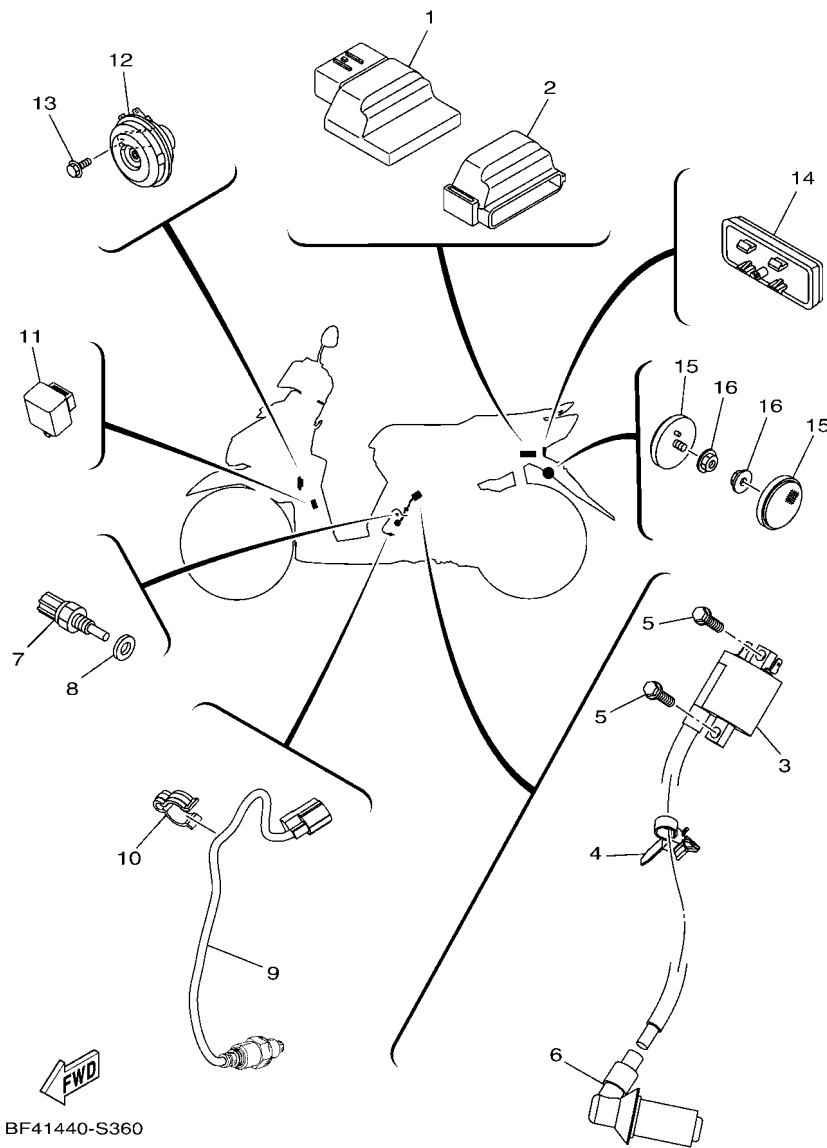


FIG. 35 ELECTRICAL 1

REF. NO.	PART NO.	DESCRIPTION	BF41				REMARKS
1	2CB-H2100-01	BATTERY ASSY (YUASA YTZ4V)	1				UR
	55D-H2100-00	BATTERY ASSY (PINACO PTZ5S)	1				UR
2	BF4-H2115-00	WIRE, PLUS LEAD	1				
3	1VP-H2151-00	.FUSE (15A)	1				
4	92012-05008	BOLT, BUTTON HEAD	1				
5	1VB-XH250-00	MAIN SW. STRG. LOCK SUB ASSY	1				
6	97602-05208	SCREW, PAN HEAD WITH WASHER	1				
7	90149-06309	SCREW	2				
8	BF4-H2590-00	WIRE HARNESS ASSY	1				
9	95022-06012	BOLT, FLANGE	1				
10	90464-34002	CLAMP	1				
11	90464-16006	CLAMP	1				
12	2BL-H1960-00	RECTIFIER & REGULATOR ASSY	1				
13	95022-06025	BOLT, FLANGE	2				
14	2PH-H1940-01	STARTER RELAY ASSY	1				
15	1LB-H2566-01	SWITCH, SIDE STAND	1				
16	92012-05016	BOLT, BUTTON HEAD	2				
17	90464-07805	CLAMP	1				
18	BF4-H2116-00	WIRE, MINUS LEAD	1				



BF41440-S360

FIG. 36 ELECTRICAL 2

REF. NO.	PART NO.	DESCRIPTION	BF41				REMARKS
1	2SX-H591A-00	ENGINE CONTROL UNIT ASSY	1				
2	2PH-H5546-00	BAND	1				
3	2PH-H2310-00	IGNITION COIL ASSY	1				
4	90464-12810	CLAMP	1				
5	95022-06020	BOLT, FLANGE	2				
6	B92-H2370-00	PLUG CAP ASSY	1				
7	54P-H3591-00	THERMO UNIT	1				
8	90430-10806	GASKET	1				
9	2DP-H592A-10	SENSOR, OXYGEN	1				
10	90464-16807	CLAMP	1				
11	1VP-83350-00	FLASHER RELAY ASSY	1				
12	2BR-H3371-00	HORN	1				
13	95D02-06010	BOLT, FLANGE DEEP RECESS	1				
14	54P-H5130-00	REAR REFLECTOR ASSY	1				
15	2FC-H5111-00	REFLECTOR, FRONT 1	2				
16	95602-05200	NUT, SELF-LOCKING	2				

NUMERICAL INDEX

PART NO.	REF. NO.	PART NO.	REF. NO.	PART NO.	REF. NO.	PART NO.	REF. NO.	PART NO.	REF. NO.	PART NO.	REF. NO.
1PM-14216-00	7 - 19	2PH-E2653-00	5 - 4	54P-E5371-00	10 - 3	2PH-E7653-00	12 - 4	BF4-F174G-20	16 - 24	54P-F414G-10	19 - 9
5LW-15659-01	10 - 6	2PH-E2658-00	5 - 2	2PH-E5373-00	9 - 7	BJ8-E7660-00	12 - 11	BF4-F174G-30	16 - 24	5D9-F414G-10	19 - 2
36Y-2589H-00	25 - 8	2PH-E2659-10	5 - 6	2PH-E5373-00	10 - 16	2PH-E7664-00	12 - 15	BF4-F174H-00	16 - 25	B92-F41B1-00	19 - 12
1VP-83350-00	36 - 11	2PH-E2668-10	5 - 7	B92-E5411-00	10 - 1	2PH-E7668-00	12 - 20	BF4-F174H-10	16 - 25	54P-F4491-00	19 - 10
B92-E1102-00	1 - 1	2PH-E3300-10	6 - 1	2PH-E5413-00	10 - 19	BJ8-E7670-00	12 - 12	BF4-F174H-20	16 - 25	4YY-F4610-00	19 - 17
2PH-E111F-00	4 - 4	2PH-E3324-10	2 - 8	2PH-E5417-00	9 - 21	2PH-E7674-00	12 - 5	BF4-F174H-30	16 - 25	4YY-F4612-00	19 - 18
2BM-E111G-00	1 - 12	54P-E3411-00	6 - 5	2PH-E5421-00	9 - 34	2PH-E7674-10	12 - 16	2PH-F2141-00	14 - 7	BF4-F4704-00	20 - 5
2PH-E112F-00	4 - 5	5LW-E3452-00	2 - 6	2PH-E5423-00	9 - 28	2PH-E7678-00	12 - 21	54P-F2141-00	14 - 8	BF4-F470F-00	20 - 2
1DR-E1133-10	1 - 2	2PH-E3475-10	6 - 2	2PH-E5451-00	10 - 2	2PH-E7678-10	12 - 23	10C-F2210-30	17 - 1	2WB-F4727-00	20 - 11
2PH-E1165-00	1 - 8	2PH-E3556-00	7 - 3	2PH-E5453-00	9 - 24	2PH-E7683-00	12 - 17	5MX-F2216-00	9 - 4	B92-F472T-00	20 - 19
2PH-E1166-10	7 - 36	2PH-E3557-00	7 - 14	2PH-E5461-00	9 - 35	2PH-E7684-00	12 - 18	1VB-F3100-01	18 - 1	BF4-F4730-00	20 - 1
2PH-E1169-00	1 - 9	5LW-E3569-00	5 - 12	2PH-E5471-00	10 - 12	BF4-F1110-00	14 - 1	5TL-F3108-00	27 - 29	44P-F4741-00	20 - 3
2BL-E1181-00	1 - 16	2PH-E3585-10	7 - 1	2PH-E5472-00	10 - 14	BF4-F1164-00	18 - 35	5VW-F3110-00	18 - 8	4HF-F4741-00	20 - 4
2PH-E1191-00	1 - 7	2PH-E3593-00	7 - 5	2PH-E5473-00	10 - 11	2PH-F1410-20	14 - 3	5VW-F3111-00	18 - 19	1S8-F4768-00	20 - 14
2BM-E1193-00	1 - 13	2PH-E3595-00	7 - 2	2PH-E5495-00	10 - 15	54P-F1459-00	14 - 5	1VB-F3126-00	18 - 5	BF4-F4773-00-1A	20 - 17
4YS-E1198-00	9 - 13	2PH-E3750-00	7 - 17	2BM-E5512-00	11 - 4	BF4-F1511-00-P0	15 - 1	1VB-F3136-00	18 - 2	BF4-F4773-00-P0	20 - 17
2PH-E119E-10	1 - 11	2PH-E3761-00	7 - 9	2PH-E5520-20	11 - 1	BF4-F1511-00-P1	15 - 1	1VB-F3141-00	18 - 15	BF4-F4773-00-P1	20 - 17
2PH-E1311-10	1 - 20	5LW-E3769-00	9 - 20	44D-E5521-00	11 - 5	BF4-F1511-00-P2	15 - 1	5LL-F3144-00	18 - 14	5P1-F4780-01	20 - 12
2PH-E1351-00	1 - 21	2PH-E3770-00	7 - 8	2PH-E5570-00	11 - 2	BF4-F1511-00-P3	15 - 1	4UV-F3145-00	18 - 3	BF4-F478E-00	20 - 15
2PH-E1400-30	2 - 1	2PH-E3907-00	19 - 6	44D-E5598-00	11 - 3	BF4-F1552-00	27 - 14		18 - 6	1VB-F5168-00-33	21 - 1
2PH-E1422-10	2 - 5	54P-E3915-00	19 - 7	2PH-E5601-00	11 - 6	BF4-F1568-00	27 - 34	2JG-F3147-00	18 - 20	3NA-F5181-01	21 - 8
2PH-E1603-10	2 - 13	54P-E3938-00	7 - 12	2BL-E5620-00	11 - 12	BF4-F1611-00	15 - 3	31D-F3152-00	18 - 11	5TL-F5190-01	21 - 11
2PH-E1631-00	2 - 10	2PH-E3971-00	19 - 5	2PH-E5630-00	11 - 14	B92-F1621-00	15 - 5	5P0-F3156-00	18 - 4	5LW-F530K-00	23 - 7
2PH-E1633-00	2 - 11	54P-E4137-00	7 - 13	5MX-E5657-00	12 - 32	BF4-F1668-00	27 - 35		18 - 7	54P-F5326-00	23 - 4
2PH-E1651-20	2 - 4	2PH-E4146-00	7 - 20	5MX-E5673-00	11 - 15	BF4-F1711-00-P0	16 - 5	2JG-F3157-00	18 - 10	44P-F5338-00-33	23 - 1
2BM-E1681-10	2 - 2	54P-E4147-00	7 - 10	2PH-E5744-00	12 - 22	BF4-F1711-00-P1	16 - 5	509-F3158-L0	18 - 12	5LW-F533A-00	23 - 12
2PH-E2111-00	3 - 1	5CA-E4147-00	7 - 11	2PH-E6111-00	13 - 9	BF4-F1711-00-P2	16 - 5	4D0-F3165-00	18 - 22	10C-F5351-00	23 - 10
54P-E2113-00	3 - 4	2PH-E4411-00	7 - 21	2PH-E6111-10	13 - 9	BF4-F1711-00-P3	16 - 5	1VB-F3170-00	18 - 9	2PH-F5355-00	23 - 11
1KP-E2117-00	3 - 6	2PH-E4412-00	7 - 22	2PH-E6523-00	12 - 9	BF4-F171A-00	16 - 3	31B-F3181-00	18 - 13	2BM-F5802-00	22 - 4
54P-E2117-00	3 - 6	2PH-E4437-00	7 - 23	2PH-E6611-00	12 - 24	BF4-F171E-00	16 - 20	4D0-F3340-00	18 - 16	5YP-F5803-50	22 - 5
5TL-E2118-00	3 - 5	4ST-E443E-00	10 - 4	BJ8-E6620-00	12 - 7	BF4-F1721-00-P0	16 - 8	4D0-F3346-00	18 - 18	2BM-F5805-00	22 - 9
54P-E2119-00	3 - 3	5TL-E443E-00	7 - 30	2PH-E6626-00	12 - 8	BF4-F1721-00-P1	16 - 8	1VB-F334G-00	18 - 21	2PH-F580U-01	22 - 3
2PH-E2121-10	3 - 2	5TP-E443G-00	7 - 27	2PH-E6819-00	12 - 10	BF4-F1721-00-P2	16 - 8	BF4-F3391-00-P0	27 - 1	5TL-F582U-10	22 - 1
2PH-E2126-00	3 - 7	2PH-E4450-20	7 - 24	2PH-E7211-00	13 - 4	BF4-F1721-00-P3	16 - 8	BF4-F3391-00-P1	27 - 1	5P0-F583T-03	25 - 4
2PH-E2146-00	3 - 11	2PH-E4452-00	7 - 26	2PH-E7211-10	13 - 4	BF4-F172W-00	16 - 1	BF4-F3391-00-P2	27 - 1	5P0-F5852-00	25 - 7
2PH-E2151-00	3 - 8	2PH-E4453-00	7 - 25	2PH-E7410-00	13 - 1	BF4-F1731-00	16 - 11	BF4-F3391-00-P3	27 - 1	5P0-F5854-00	25 - 6
33S-E2159-01	3 - 10	B92-E4613-00	8 - 4	2PH-E7410-10	13 - 1	B92-F1737-00	24 - 30	156-F3411-00	18 - 17	5P0-F5855-00	25 - 10
33S-E2159-10	3 - 10	B92-E4711-00	8 - 1	2PH-E7421-00	13 - 3	BF4-F173E-00	16 - 22	4RT-F3411-10	18 - 26	5TL-F5867-01	25 - 9
2PH-E2170-00	4 - 1	B92-E4718-00	8 - 2	2PH-E7421-10	13 - 3	BF4-F173E-10	16 - 22	1KL-F3412-10	18 - 23	2PH-F5872-10	25 - 1
2PH-E2176-00	4 - 8	2PH-E5113-00	9 - 18	2PH-E7465-00	12 - 13	BF4-F173E-20	16 - 22	4RT-F3412-10	18 - 25	BF4-F5875-00	18 - 31
2BM-E2210-10	4 - 12	2PH-E5150-00	9 - 1	2PH-E7465-10	12 - 14	BF4-F173E-30	16 - 22	BF4-F3415-00	18 - 29	1VB-F5876-00	18 - 33
2PH-E2213-00	4 - 13	2PH-E5155-00	9 - 2	2SX-E7611-10	12 - 6	BF4-F173F-00	16 - 23	3AY-F3416-00	18 - 28	2BM-F5917-00	22 - 6
54P-E2228-00	4 - 15	2PH-E5191-10	10 - 7	2PH-E7620-00	12 - 1	BF4-F173F-10	16 - 23	1P6-F341E-10	18 - 27	2BM-F5919-00	22 - 11
54P-E2231-00	4 - 10	2PH-E5316-00	10 - 13	2PH-E7623-00	12 - 3	BF4-F173F-20	16 - 23	5VL-F341E-10	18 - 24	5YP-F5924-00	22 - 12
2PH-E2241-00	4 - 11	54P-E5351-00	6 - 4	2SX-E7632-10	12 - 2	B92-F173F-30	16 - 23	B92-F4110-00	19 - 1	5YP-F5925-01	22 - 10
2PH-E2611-10	5 - 10	2PH-E5362-10	9 - 19	2PH-E7641-00	12 - 25	BF4-F1741-00	16 - 15	5D9-F414G-00	14 - 2	5YP-F5937-00	22 - 7
2PH-E2651-00	5 - 1	5LW-E5363-00	9 - 16	2PH-E7644-00	12 - 19	BF4-F174G-00	16 - 24		19 - 3	BF4-F6110-00	24 - 1
2PH-E2652-00	5 - 3	54P-E5371-00	9 - 6	2PH-E7645-10	12 - 30	BF4-F174G-10	16 - 24	B92-F414G-00	19 - 13	BF4-F6143-00-P0	24 - 5

NUMERICAL INDEX

PART NO.	REF. NO.	PART NO.	REF. NO.	PART NO.	REF. NO.	PART NO.	REF. NO.	PART NO.	REF. NO.	PART NO.	REF. NO.
BF4-F6143-00-P1	24 - 5	B92-F8385-00	27 - 12	55D-H333A-00	30 - 3	90105-10896	24 - 3	90201-12823	28 - 5	90520-08809	14 - 13
BF4-F6143-00-P2	24 - 5	BF4-F8391-00	27 - 30	55D-H333E-01	30 - 5	90109-06202	15 - 2	90201-154E8	11 - 9	90520-08812	19 - 19
BF4-F6143-00-P3	24 - 5	BF4-F8391-10	27 - 30	55D-H333E-01	30 - 8		15 - 4	90201-15846	12 - 35	90520-10825	7 - 33
BF4-F6145-00	24 - 8	BF4-F8391-20	27 - 30	55D-H334A-00	30 - 10		20 - 6	90201-16810	23 - 16	90560-10292	21 - 2
B92-F6240-00	24 - 11	BF4-F8391-30	27 - 30	55D-H334E-01	30 - 12	90109-06220	26 - 10	90201-16817	12 - 36	91312-05010	19 - 11
1VP-F6241-00	24 - 12	BF4-F8392-00	27 - 31	1VP-H3358-00	31 - 3	90109-06255	34 - 14	90201-220J8	23 - 17	91312-06012	4 - 6
B92-F6246-00	24 - 13	BF4-F8392-10	27 - 31	55D-H3358-00	30 - 7	90109-06814	34 - 8	90206-14093	23 - 13	91312-06020	28 - 3
B92-F6257-00	24 - 21	BF4-F8392-20	27 - 31		30 - 14	90109-068A3	27 - 7	90208-12808	12 - 33		28 - 4
	26 - 17	BF4-F8392-30	27 - 31	2BR-H3371-00	36 - 12	90110-06846	7 - 16	90249-12008	24 - 26		29 - 6
2WB-F6280-00	24 - 14	BF4-F8393-00	27 - 32	BF4-H3509-00	31 - 6	90110-06868	1 - 19	90269-06816	19 - 16		34 - 12
5P2-F6281-00	24 - 27	BF4-F8393-10	27 - 32	BF4-H3510-00	31 - 1	90111-06051	27 - 11	90280-03017	2 - 9	91312-06025	11 - 13
5P2-F6282-00	24 - 28	BF4-F8393-20	27 - 32	BF4-H3511-00	31 - 2	90111-06811	8 - 3	90340-12808	9 - 12		25 - 11
2WB-F6290-00	24 - 15	BF4-F8393-30	27 - 32	5LW-H3518-00	31 - 5	90111-08853	22 - 2	90380-10803	12 - 27	91401-25015	26 - 24
BF4-F6301-00	24 - 16	BF4-F8394-00	27 - 33	2BR-H3550-00	31 - 9	90116-08843	9 - 11	90380-15811	11 - 8		26 - 32
1VB-F6351-00	24 - 19	BF4-F8394-10	27 - 33	54P-H3591-00	36 - 7	90119-06155	19 - 4	90387-05820	16 - 19	91701-08035	26 - 23
B92-F637G-00	24 - 20	BF4-F8394-20	27 - 33	1VP-H3606-00	31 - 7	90149-05801	1 - 10	90387-064W3	7 - 31		26 - 31
B92-F7111-00	26 - 1	BF4-F8394-30	27 - 33	1VP-H3645-00	31 - 4	90149-06309	35 - 7	90387-08820	26 - 14	91810-14809	1 - 17
2PH-F7112-00	26 - 2	2PH-H1410-10	28 - 2	5TL-H3912-20	34 - 7	90159-06810	16 - 21	90387-10837	21 - 7		1 - 18
2PH-F7114-00	14 - 6	2PH-H1450-20	28 - 1	5TL-H3922-00	34 - 13	90170-05803	3 - 9	90388-10800	14 - 4		9 - 9
54P-F7121-00	9 - 3	1KP-H1617-00	29 - 3	1S8-H3955-01	34 - 2	90170-12800	12 - 34	90388-10805	9 - 5		9 - 31
5LW-F7254-00	26 - 5	2SX-H1828-00	29 - 5	1KP-H3973-10	34 - 1	90170-12802	12 - 29	90401-10015	25 - 2		9 - 36
B92-F7267-00	26 - 6	2SX-H1830-00	29 - 4	1KP-H3976-10	34 - 5	90179-06411	24 - 25	90430-06014	1 - 5		10 - 9
B92-F7311-00	26 - 12	1KP-H1847-00	29 - 2	54P-H3980-00	34 - 16	90179-12004	28 - 6		9 - 15	91A20-07065	19 - 15
B92-F7430-00	26 - 18	2SX-H1890-00	29 - 1	5TL-H3980-10	34 - 10	90179-25002	18 - 30	90430-10806	36 - 8	92012-05008	35 - 4
B92-F7431-00	26 - 19	2PH-H1940-01	35 - 14	1VP-H4147-00	32 - 4	90183-05807	15 - 6	90450-46803	7 - 34	92012-05010	24 - 18
B92-F7432-00	26 - 20	2BL-H1960-00	35 - 12	BF4-H4300-00	32 - 1		16 - 7	90464-07805	35 - 17	92012-05016	24 - 17
B92-F7440-00	26 - 26	55D-H2100-00	35 - 1	1VP-H4314-00	32 - 2		16 - 10	90464-12810	36 - 4		35 - 16
B92-F7441-00	26 - 27	2CB-H2100-01	35 - 1	BF4-H4516-00	33 - 5		16 - 14	90464-16006	35 - 11	93102-15801	11 - 11
B92-F7442-00	26 - 28	BF4-H2115-00	35 - 2	BF4-H4710-00	33 - 1		16 - 18	90464-16807	36 - 10	93102-19814	9 - 22
BF4-F7481-00	26 - 7	BF4-H2116-00	35 - 18	1VP-H4714-00	33 - 2		20 - 7	90464-34002	35 - 10	93102-19817	9 - 22
1VB-F8100-00	20 - 21	5D9-H2126-00	19 - 14	BF4-H4716-00	33 - 6		24 - 2	90467-110A3	10 - 5	93102-20815	13 - 12
B92-F8257-00	27 - 9	BF4-H2129-00	20 - 8	BF4-H4721-00	33 - 4		24 - 6	90467-11825	9 - 8	93102-20816	13 - 12
BF4-F8300-00	27 - 8	1VP-H2151-00	35 - 3	BF4-H4723-00	33 - 3		24 - 9	90467-12807	7 - 28	93102-25816	9 - 29
BF4-F8311-00	27 - 4	1VB-H2176-00	20 - 20	2FC-H5111-00	36 - 15		26 - 9	90467-13808	7 - 37	93102-25819	9 - 29
BF4-F8345-00	27 - 17	2PH-H2310-00	36 - 3	54P-H5130-00	36 - 14		27 - 2	90467-13858	7 - 38	93102-32801	13 - 6
BF4-F8346-00	27 - 23	B92-H2370-00	36 - 6	2PH-H5546-00	36 - 2		27 - 5	90480-13013	7 - 32	93102-32809	13 - 6
BF4-F8356-00	14 - 11	1LB-H2566-01	35 - 15	2PH-H5752-00	19 - 8		27 - 15	90501-12743	26 - 21	93106-20808	21 - 3
BF4-F835U-00-1A	27 - 21	BF4-H2590-00	35 - 8	2PH-H5885-00	7 - 18		27 - 18		26 - 29	93210-07802	23 - 6
BF4-F835U-00-P0	27 - 21	5TL-H2911-20	34 - 6	2SX-H591A-00	36 - 1		27 - 24	90501-16003	24 - 24	93210-09806	4 - 2
BF4-F835U-00-P1	27 - 21	55D-H3311-00	30 - 2	2DP-H592A-10	36 - 9		33 - 9	90501-16004	6 - 6	93210-148H8	9 - 17
BF4-F835U-00-P2	27 - 21		30 - 9	5P0-W0041-00	25 - 5	90185-10011	24 - 4	90506-12001	23 - 8	93210-16805	12 - 31
BF4-F835V-00-1A	27 - 27		32 - 3	4C9-W0048-00	22 - 8	90185-10811	21 - 9	90506-15001	23 - 9	93210-29800	6 - 7
BF4-F835V-00-P0	27 - 27	1VP-H3318-00	30 - 15	1VB-XH250-00	35 - 5	90185-16800	23 - 15	90506-20514	26 - 16	93210-29803	29 - 7
BF4-F835V-00-P1	27 - 27	55D-H3323-00	30 - 4	90101-06046	23 - 14	90201-10065	17 - 5	90506-35821	26 - 4	93210-35883	7 - 4
BF4-F835V-00-P2	27 - 27	55D-H332M-00	30 - 11	90101-08847	26 - 13	90201-10118	25 - 3	90508-32768	11 - 7	93211-07800	9 - 23
B92-F8373-00	27 - 10	55D-H3330-01	30 - 1	90105-07801	4 - 7	90201-10831	14 - 10	90520-03806	20 - 9	93211-47801	9 - 30
5P0-F8379-00	27 - 19	55D-H3333-00	30 - 6	90105-08861	17 - 2		21 - 10	90520-05819	5 - 5	93306-001X9	4 - 3
	27 - 25		30 - 13	90105-10831	22 - 13		17 - 4	90520-08004	26 - 8	93306-001YE	4 - 3

NUMERICAL INDEX

PART NO.	REF. NO.	PART NO.	REF. NO.	PART NO.	REF. NO.	PART NO.	REF. NO.	PART NO.	REF. NO.	PART NO.	REF. NO.
93306-201YK	13 - 10	95612-08618	1 - 6	97707-50025	7 - 29						
93306-201YR	13 - 10	95702-08500	8 - 5	98502-05020	6 - 3						
93306-204XT	13 - 11	95702-10500	23 - 5	98502-05020	24 - 29						
93306-204XV	13 - 11	95D02-06010	14 - 12	98507-05010	20 - 16						
93306-252YB	12 - 26		18 - 32	9870M-03008	34 - 11						
93306-272YA	13 - 5		18 - 34	99002-09600	26 - 3						
93306-300X8	21 - 4		18 - 36	99009-15400	11 - 10						
93306-303YN	13 - 8		36 - 13	99009-25400	13 - 7						
93306-303YS	13 - 8	95D02-08030	26 - 25	99009-35700	12 - 28						
93306-351Y5	13 - 2		26 - 33	99480-05010	9 - 25						
93306-372X5	2 - 7	95D32-06016	5 - 11								
93310-528YP	2 - 3	95D32-06020	10 - 17								
93440-10153	1 - 3		20 - 18								
93450-14088	2 - 12	95D32-06025	7 - 15								
93501-04823	26 - 22		7 - 35								
	26 - 30	95D32-06035	7 - 6								
93900-00817	21 - 6	95D32-06040	9 - 14								
	23 - 3	95D32-06045	7 - 7								
94107-14807	21 - 5	95D32-06090	10 - 18								
94108-14809	23 - 2	95D32-08055	8 - 6								
94568-J7092	4 - 9	97602-05208	35 - 6								
94700-00880	1 - 15	97602-05216	34 - 3								
95022-06010	1 - 4	97702-03012	33 - 7								
	10 - 8	97702-50014	16 - 4								
	20 - 13		16 - 12								
95022-06012	35 - 9		16 - 16								
95022-06014	24 - 23		27 - 3								
95022-06020	4 - 14		27 - 26								
	5 - 8		32 - 5								
	9 - 27	97702-60530	5 - 9								
	10 - 21	97707-50012	20 - 10								
	36 - 5		33 - 8								
95022-06025	9 - 32	97707-50014	27 - 20								
	35 - 13	97707-50016	16 - 2								
95022-06035	9 - 33		16 - 6								
	9 - 37		16 - 9								
	10 - 10		16 - 13								
95022-06040	24 - 22		16 - 17								
95022-06045	10 - 20		24 - 7								
95022-06060	9 - 10		24 - 10								
95022-06070	9 - 26		26 - 11								
95302-08600	1 - 14		27 - 6								
95302-10600	17 - 3		27 - 13								
95602-05200	36 - 16		27 - 16								
95602-06100	34 - 9		27 - 22								
	34 - 15		27 - 28								
95602-08200	26 - 15		31 - 8								
95602-10200	14 - 9		34 - 4								