



PARTS CATALOGUE

JANUARY 2019



RED



YELLOW



BLUE

GDR155-A (BG37) MALAYSIA NVX

GDR155-A
PARTS CATALOGUE
©2018 by Yamaha Motor Co., Ltd.
1st edition, October 2018
All rights reserved.
Any reprinting or unauthorized use
without the written permission of
Yamaha Motor Co., Ltd.
is expressly prohibited.
Printed in Japan.

FOREWORD

This Parts Catalogue is related to the parts for the model(s) on the cover page. When you are ordering replacement parts, please refer to this Parts Catalogue and quote both part numbers and part names correctly.

1. Modifications or additions which have been made after the issue of the Parts Catalogue will be announced in the Parts News.
It is advisable that you make the necessary corrections to the Parts Catalogue according to the Parts News.

2. Abbreviations

The following abbreviations are used in this Parts Catalogue.

“UR” Use specified parts number.

“UN” Use as many as needed.

“AP” Alternate Parts

“LM” Locally Made (Parts need to be ordered locally)

“F#” Frame No. (Applicable machine No.)

“O/S” Over Size

3. The number of components for assembly

- Parts, which are to be supplied in an assembly, are listed with a dot (.) in front of the part name as shown below.
- The numeral appearing to the right of each component part indicates the quantity of parts for each assembly unit.

PART NO.	DESCRIPTION	Q'TY	REMARKS
2F5-83310-60	FRONT FLASHER LIGHT ASSY	2	
115-83311-60	.BULB (6V-18W)	1	

4. Applicable colours of graphics are represented in the “REMARKS” as shown below.

PART NO.	DESCRIPTION	Q'TY	REMARKS
2N4-24110-00-X5	FUEL TANK COMP.	2	MXR
3J1-24240-10	.GRAPHIC, FUEL TANK	1	FOR MXR

5. Note that the illustrations for reference in finding parts numbers are not to be used for assembling. When assembling, please use the applicable service manual.

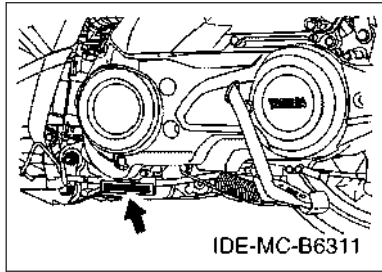
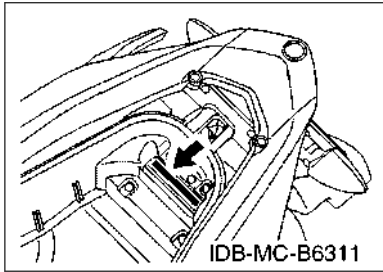
6. The asterisk (*) before a reference number indicates modified items after the first edition.

FOREWORD

7. Applicable Serial No.

Frame Serial No.

Engine Serial No.



8. Applicable Colour Code (The (*) mark shows Model colour.)

Abbreviation	Colour Name	Colour Code
DPBM15	DEEP PURPLISH BLUE METALLIC 15	1329
DPBMC(*)	DEEP PURPLISH BLUE METALLIC C	0564
MBL2	MAT BLACK 2	0582
MNM3(*)	MAT GRAY METALLIC 3	1278
RM7(*)	RED METALLIC 7	1218
RYC1	REDDISH YELLOW COCKTAIL 1	0251
SMX	BLACK METALLIC X	0903
YB	YAMAHA BLACK	0033

9. Applicable Starting Serial No.

Frame Serial No.

Serial No.	Name Of Q'ty Column	Model Code

Engine Serial No.

Serial No.	Name Of Q'ty Column	Model Code

CONTENTS

ENGINE

CYLINDER.....	1
CRANKSHAFT & PISTON.....	3
VALVE.....	4
CAMSHAFT & CHAIN.....	5
WATER PUMP.....	6
RADIATOR & HOSE.....	7
OIL PUMP.....	8
INTAKE.....	9
EXHAUST.....	11
CRANKCASE.....	12
CRANKCASE COVER 1.....	14
CLUTCH.....	15
TRANSMISSION.....	17

CHASSIS

FRAME.....	18
FENDER.....	20
SIDE COVER.....	21
REAR ARM & SUSPENSION.....	24
STEERING.....	25
FUEL TANK.....	27
SEAT.....	28
FRONT WHEEL.....	30
FRONT BRAKE CALIPER.....	31
REAR WHEEL.....	32
STEERING HANDLE & CABLE.....	33
FRONT MASTER CYLINDER.....	35
STAND & FOOTREST.....	36
LEG SHIELD.....	38
GENERATOR.....	41
FLASHER LIGHT.....	42
METER.....	43
HEADLIGHT.....	44
TAILLIGHT.....	45
HANDLE SWITCH & LEVER.....	46
ELECTRICAL 1.....	47
ELECTRICAL 2.....	49
ELECTRICAL 3.....	50

INDEX

NUMERICAL INDEX.....	51
----------------------	----

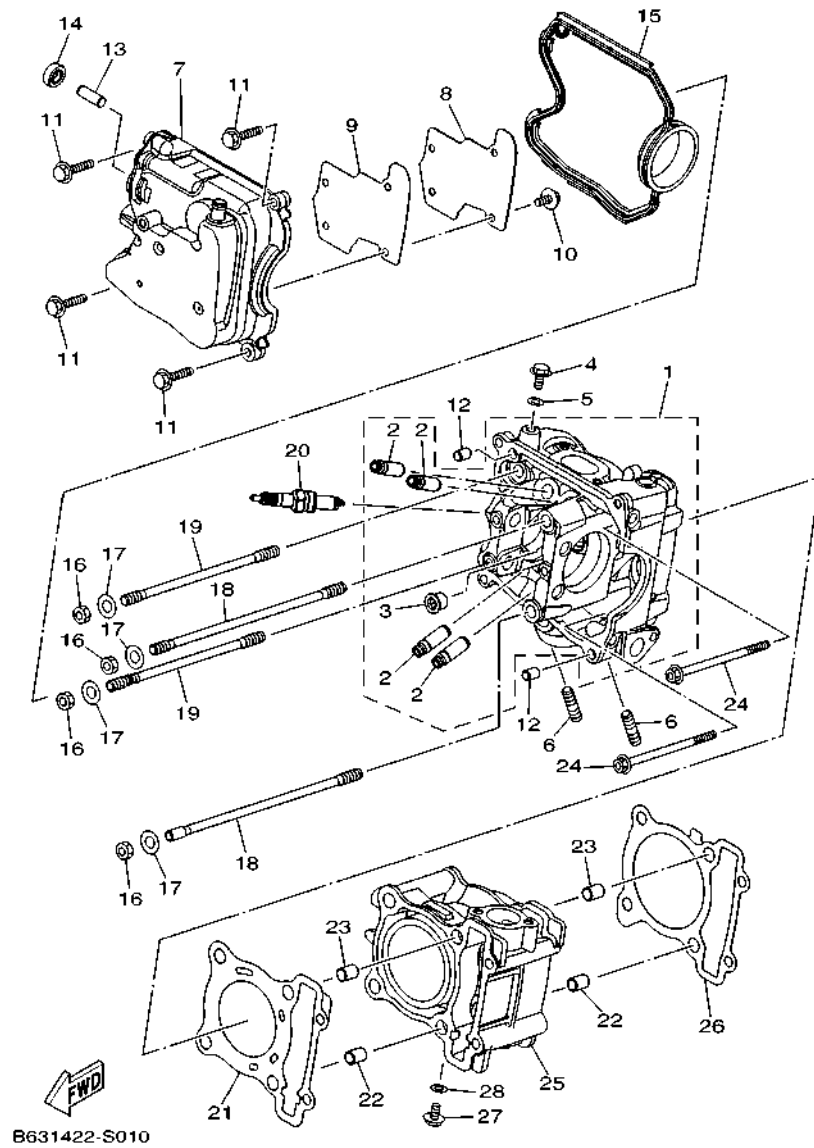


FIG. 1 CYLINDER

REF. NO.	PART NO.	DESCRIPTION	BC37	REMARKS
1	B65-E1102-00	CYLINDER HEAD ASSY	1	
2	2DP-E1133-10	.GUIDE, VALVE 1	4	
3	90340-12813	.PLUG, STRAIGHT SCREW	1	
4	95022-06010	BOLT, FLANGE	1	
5	90430-06014	GASKET	1	
6	95612-08618	BOLT, STUD	2	
7	2DP-E1191-00	COVER, CYLINDER HEAD 1	1	
8	2DP-E1165-00	PLATE, BREATHER	1	
9	2DP-E1169-00	GASKET, BREATHER COVER	1	
10	90149-05801	SCREW	4	
11	95022-06030	BOLT, FLANGE	4	
12	99530-08012	PIN, DOWEL	2	
13	2DP-E132G-00	ROD 1	1	
14	93102-08800	OIL SEAL	1	
15	BB8-E1193-00	GASKET, HEAD COVER 1	1	
16	95302-08600	NUT, HEXAGON	4	
17	90201-08859	WASHER, PLATE	4	
18	BB8-E1391-00	BOLT, STUD 1	2	
19	BB8-E1392-00	BOLT, STUD 2	2	
20	94700-00415	PLUG, SPARK (NGK CPR8EA)	1	UR
	94700-00870	PLUG, SPARK (DENSO U24EPR9)	1	UR
21	2DP-E1181-00	GASKET, CYLINDER HEAD 1	1	
22	91810-14809	PIN, DOWEL	2	
23	91810-14809	PIN, DOWEL	2	
24	90110-06378	BOLT, HEXAGON SOCKET HEAD	2	
25	2DP-E1311-10	CYLINDER 1	1	
26	B65-E1351-00	GASKET, CYLINDER	1	

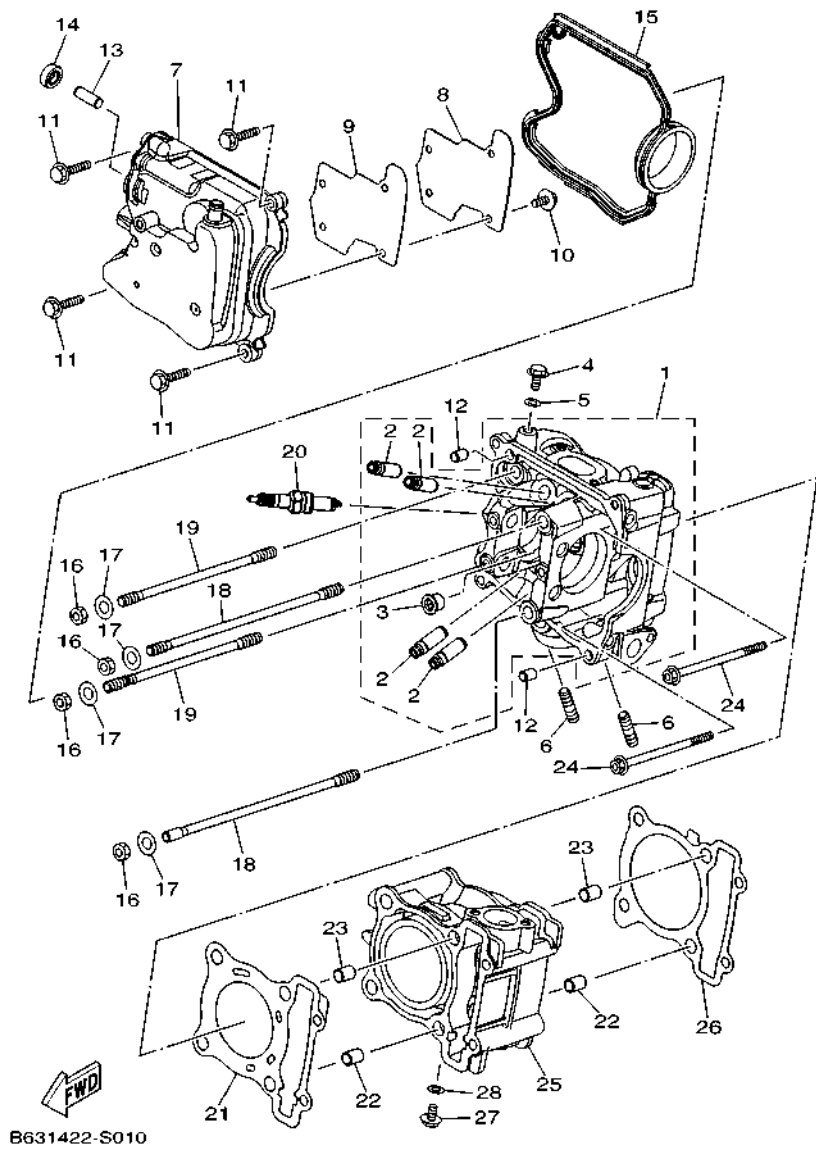
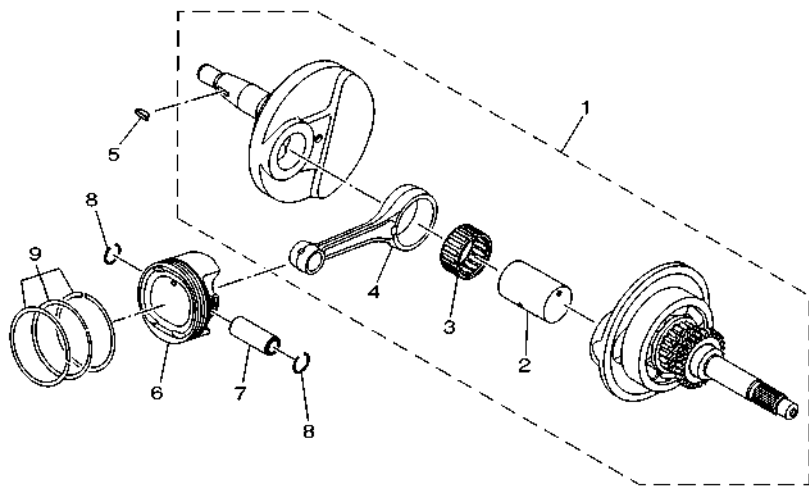


FIG. 1 CYLINDER

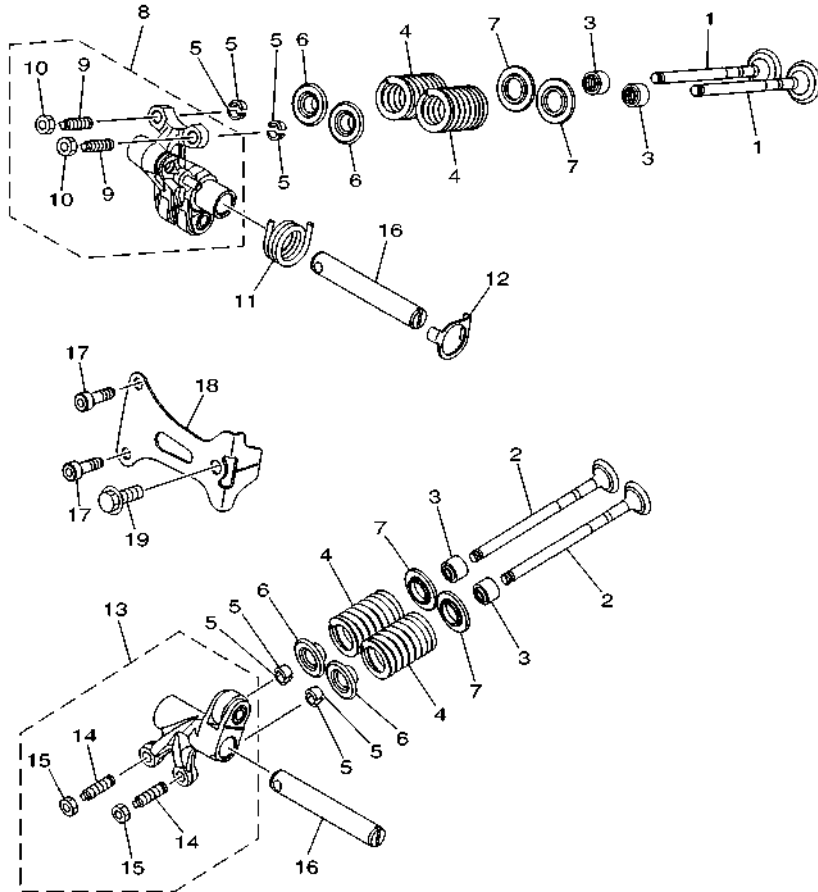
REF. NO.	PART NO.	DESCRIPTION	EG37	REMARKS
27	95022-06010	BOLT, FLANGE	1	
28	90430-06014	GASKET	1	

FIG. 2 CRANKSHAFT & PISTON



REF. NO.	PART NO.	DESCRIPTION	QTY	REMARKS
1	B65-E1400-00	CRANKSHAFT ASSY	1	
2	B63-E1681-00	.PIN, CRANK 1	1	
3	93310-528YK	.BEARING	1	
4	2DP-E1651-00	.ROD, CONNECTING	1	
5	90280-03017	KEY, WOODRUFF	1	
6	2DP-E1631-00	PISTON (STD)	1	
7	2DP-E1633-00	PIN, PISTON	1	
8	93450-16115	CIRCLIP	2	
9	B63-E1603-00	PISTON RING SET (STD)	1	


 B651460-S020

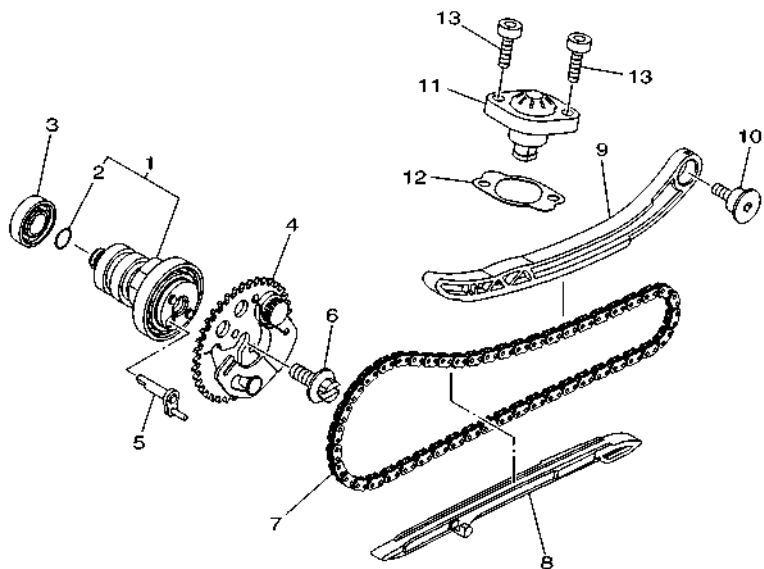


B631422-S030

FIG. 3 VALVE

REF. NO.	PART NO.	DESCRIPTION	BC37				REMARKS
1	2DP-E2111-00	VALVE, INTAKE	2				
2	2DP-E2121-00	VALVE, EXHAUST	2				
3	54P-E2119-00	SEAL, VALVE STEM	4				
4	B63-E2113-00	SPRING, VALVE INNER	4				
5	5TL-E2118-00	LOCK, VALVE SPRING RETAINER	8				
6	2DP-E2117-00	RETAINER, VALVE SPRING	4				
7	50C-E2126-00	SEAT, VALVE SPRING 2	4				
8	2DP-E2150-00	VALVE ROCKER ARM ASSY	1				
9	33S-E2159-01	.SCREW, VALVE ADJUSTING	2				
10	90170-05803	.NUT	2				
11	BB8-E2226-00	SPRING, COIL	1				
12	2DP-E2279-00	PLATE	1				
13	2DP-E2160-00	VALVE ROCKER ARM ASSY 2	1				
14	33S-E2159-01	.SCREW, VALVE ADJUSTING	2				
15	90170-05803	.NUT	2				
16	45P-E2156-00	SHAFT, ROCKER 2	2				
17	91312-05016	BOLT, HEXAGON SOCKET HEAD	2				
18	2DP-E111F-00	PLATE	1				
19	95022-06014	BOLT, FLANGE	1				

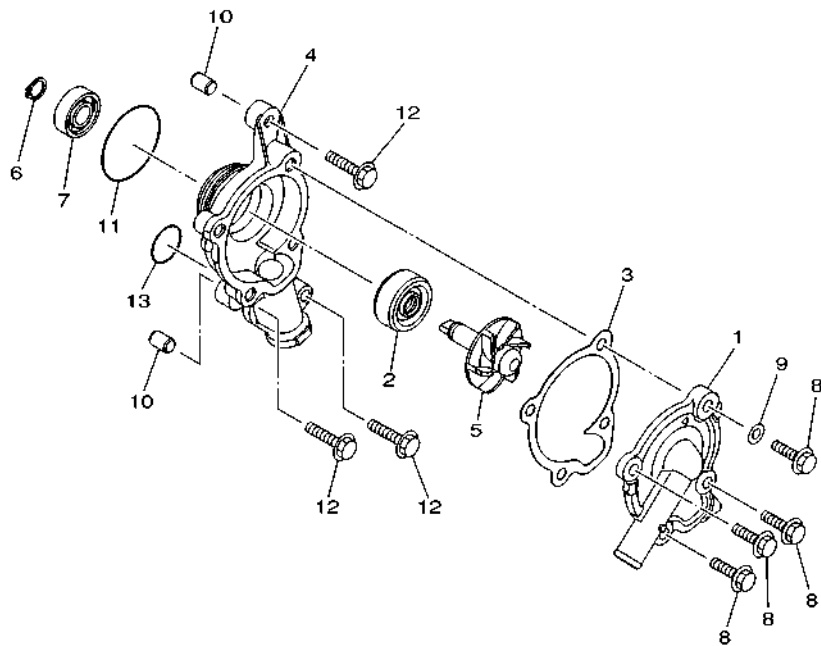
FIG. 4 CAMSHAFT & CHAIN




B631422-S040

REF. NO.	PART NO.	DESCRIPTION	BC37				REMARKS
1	B65-E2170-00	CAMSHAFT ASSY 1	1				
2	93210-09806	.O-RING	1				
3	93306-001X9	BEARING	1				
4	B63-E2280-00	DECOMPRESSION ASSY	1				
5	2DP-E2288-00	CAM, DECOMPRESSION	1				
6	5YP-E2157-00	BOLT	1				
7	94568-F9096	CHAIN (DID SCR-0404 SV)	1				
8	B65-E2231-00	GUIDE, STOPPER 1	1				
9	2DP-E2241-00	GUIDE, STOPPER 2	1				
10	1LB-E2228-00	BOLT	1				
11	2PV-E2210-00	TENSIONER ASSY, CAM CHAIN	1				
12	B65-E2213-00	GASKET, TENSIONER CASE	1				
13	91312-06020	BOLT, HEXAGON SOCKET HEAD	2				

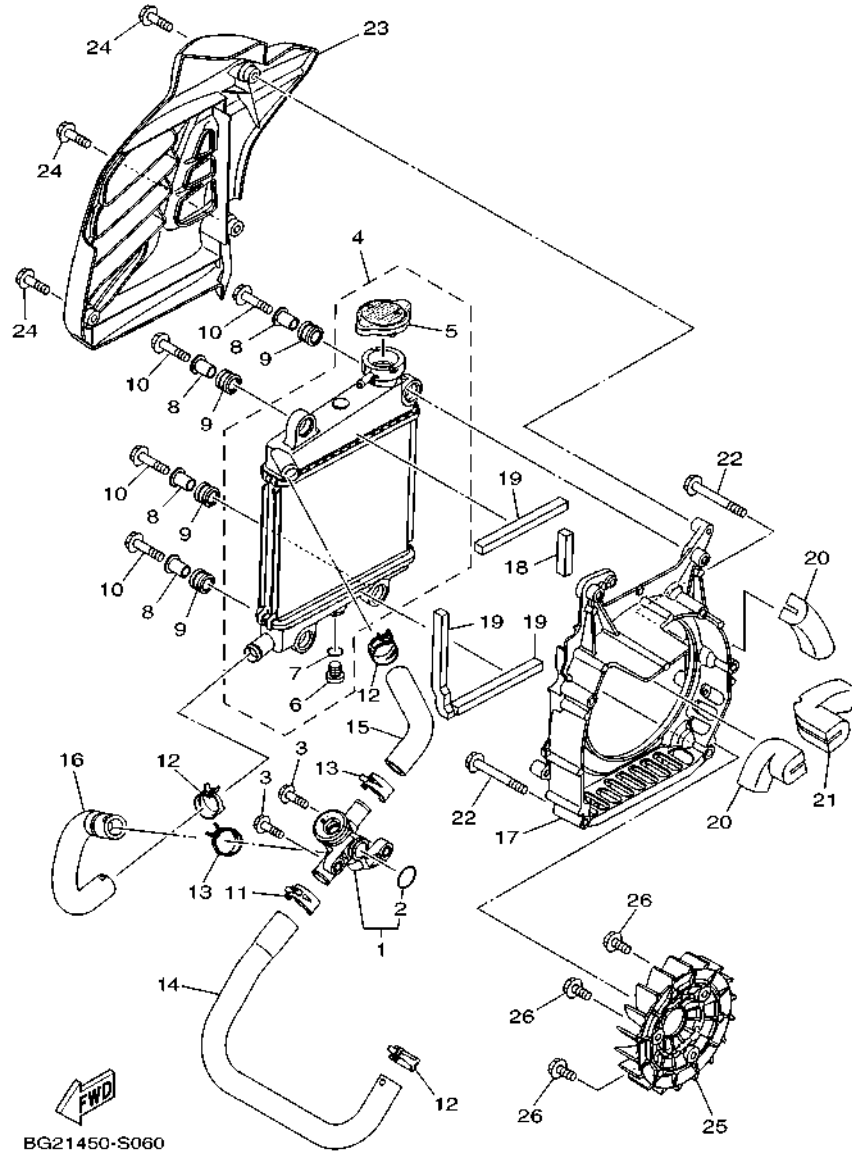
FIG. 5 WATER PUMP




2DP6460-S050

REF. NO.	PART NO.	DESCRIPTION	BC37				REMARKS
1	2DP-E2422-01	COVER, HOUSING	1				
2	B63-E2223-00	SEAL	1				
3	2DP-E2428-00	GASKET, HOUSING COVER 2	1				
4	BT3-E1185-01	COVER, CYLINDER HEAD SIDE 3	1				
5	2DP-E2450-00	IMPELLER SHAFT ASSY	1				
6	99009-10400	CIRCLIP	1				
7	93306-000Y3	BEARING	1				
8	95027-06020	BOLT, FLANGE	4				
9	90430-06014	GASKET	1				
10	99530-08012	PIN, DOWEL	2				
11	93210-39803	O-RING	1				
12	95022-06025	BOLT, FLANGE	3				
13	93210-19809	O-RING	1				

FIG. 6 RADIATOR & HOSE



REF. NO.	PART NO.	DESCRIPTION	BG37	REMARKS
1	2DP-E2410-00	THERMOSTAT ASSY	1	
2	52S-12439-00	.O-RING	1	
3	95022-06020	BOLT, FLANGE	2	
4	2DP-E240A-00	RADIATOR ASSY	1	
5	5P0-E2590-00	.CONDUCTION ASSY	1	
6	5ST-E2615-00	.COCK, DRAIN	1	
7	5ST-E2843-00	.O-RING	1	
8	90387-08823	COLLAR	4	
9	90480-14833	GROMMET	4	
10	95D32-06030	BOLT, FLANGE DEEP RECESS	4	
11	90467-20806	CLIP	1	
12	90467-19803	CLIP	3	
13	90467-19803	CLIP	2	
14	B65-E2481-00	PIPE 1	1	
15	B65-E2482-00	PIPE 2	1	
16	B65-E2483-00	PIPE 3	1	
17	B65-E2621-00	CASE, FAN	1	
18	90520-10826	DAMPER, PLATE	1	
19	90520-10827	DAMPER, PLATE	3	
20	90520-10844	DAMPER, PLATE	2	
21	90520-10845	DAMPER, PLATE	1	
22	95022-06045	BOLT, FLANGE	5	
23	B65-E2467-00	COVER, RADIATOR	1	
24	95022-06020	BOLT, FLANGE	3	
25	B65-E2611-00	FAN	1	
26	95D32-06016	BOLT, FLANGE DEEP RECESS	3	

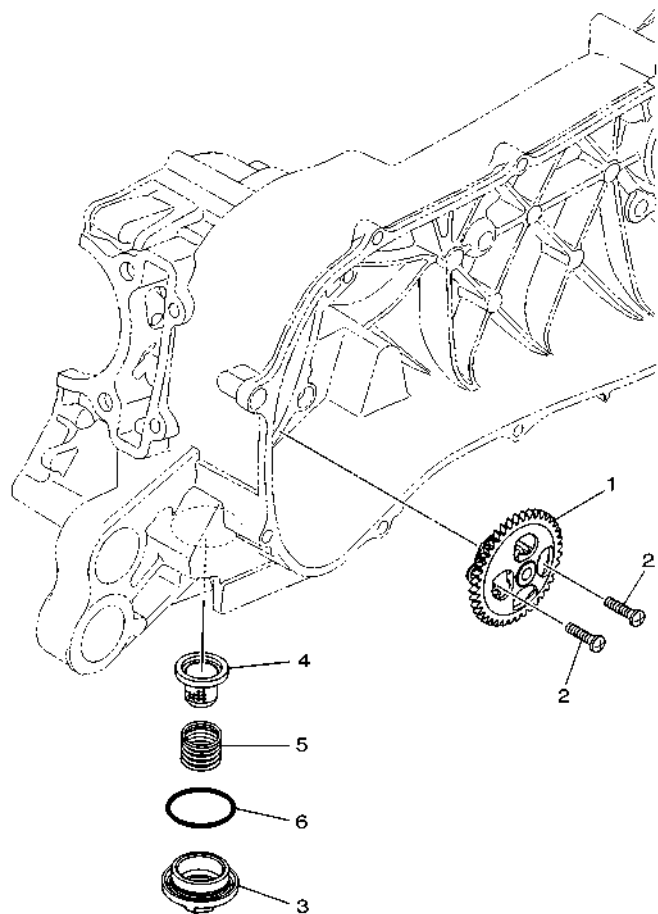


FIG. 7 OIL PUMP

REF. NO.	PART NO.	DESCRIPTION	EG37	REMARKS
1	B65-E3300-01	OIL PUMP ASSY	1	
2	98502-05020	SCREW, PAN HEAD	2	
3	54P-E5351-00	PLUG, DRAIN	1	
4	54P-E3411-00	STRAINER, OIL	1	
5	90501-16004	SPRING, COMPRESSION	1	
6	93210-29800	O-RING	1	

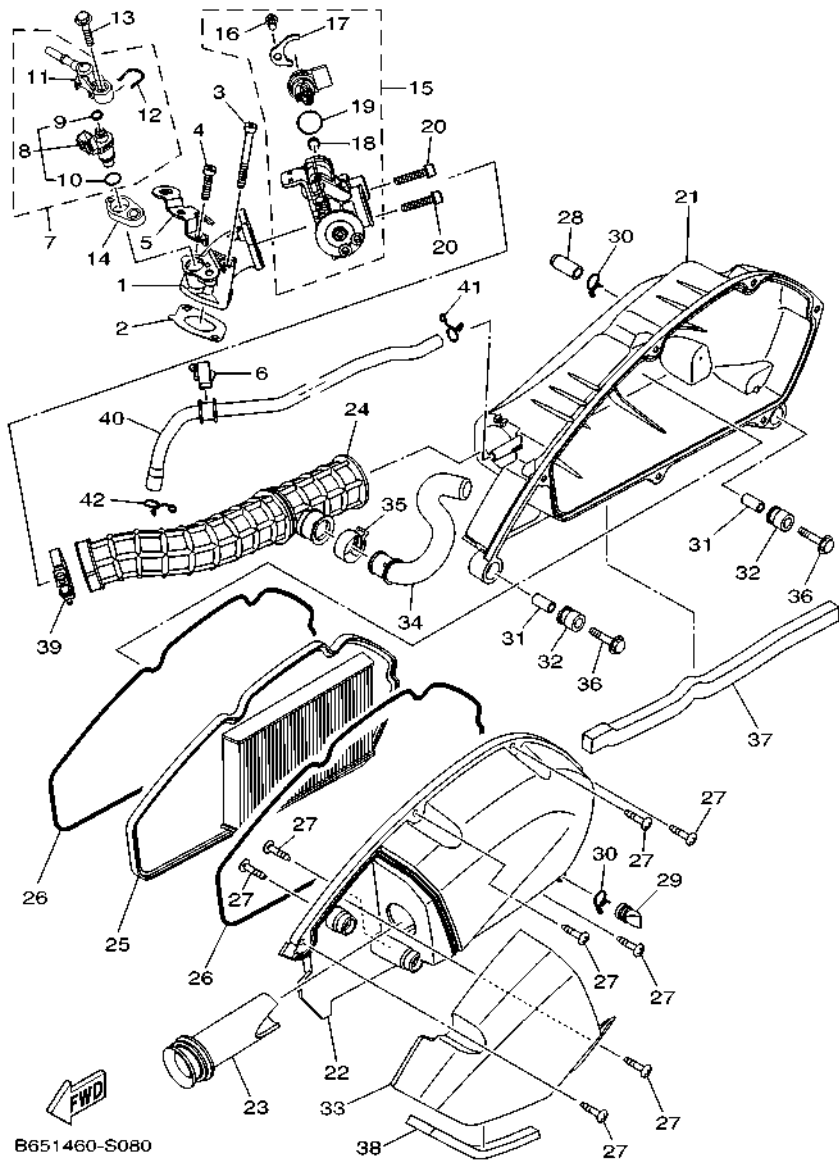


FIG. 8 INTAKE

REF. NO.	PART NO.	DESCRIPTION	BC37				REMARKS
1	B65-E3585-00	MANIFOLD	1				
2	B65-E4199-00	GASKET	1				
3	91312-06055	BOLT, HEXAGON SOCKET HEAD	1				
4	91312-06025	BOLT, HEXAGON SOCKET HEAD	1				
5	B65-E4146-00	PLATE	1				
6	B65-E4346-00	PLATE	1				
7	BB8-E3770-00	INJECTOR ASSY	1				
8	BB8-E3761-00	.INJECTOR	1				
9	54P-E4147-00	..O-RING	1				
10	5CA-E4147-00	..O-RING	1				
11	54P-E3938-00	.PIPE	1				
12	54P-E4137-00	.CLIP	1				
13	95D32-06030	BOLT, FLANGE DEEP RECESS	1				
14	2DP-E3556-00	GASKET, MANIFOLD	1				
15	B65-E3750-00	THROTTLE BODY ASSY	1				
16	98502-06012	.SCREW, PAN HEAD	1				
17	54P-E4243-00	.PLATE	1				
18	54P-E4335-00	.SPRING, PLUNGER	1				
19	54P-E416A-00	.O-RING	1				
20	90110-06846	BOLT, HEXAGON SOCKET HEAD	2				
21	B65-E4411-00	CASE, AIR CLEANER 1	1				
22	B65-E4412-00	CAP, CLEANER CASE 1	1				
23	B65-E4437-00	DUCT	1				
24	B65-E4453-00	JOINT, AIR CLEANER 1	1				
25	B65-E4451-00	ELEMENT, AIR CLEANER	1				
26	B65-E4452-01	SEAL	2				
27	97707-50025	SCREW, TAPPING	8				

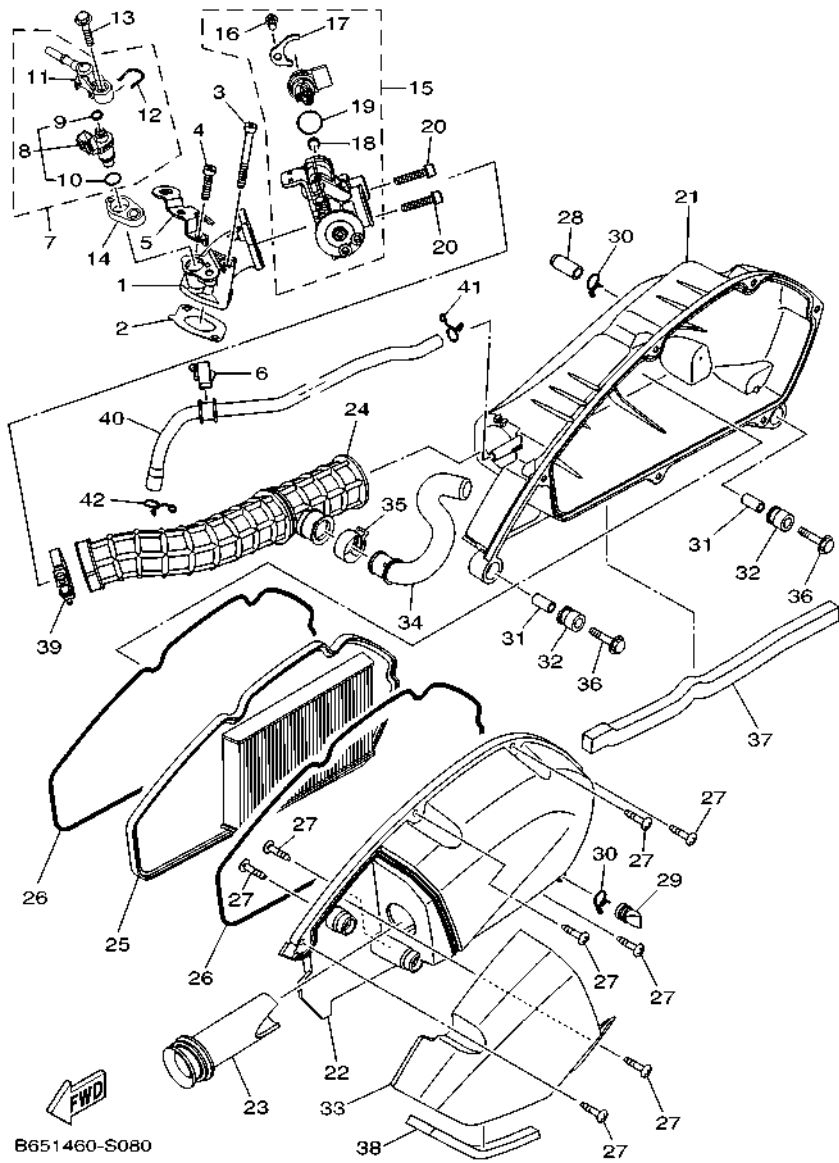
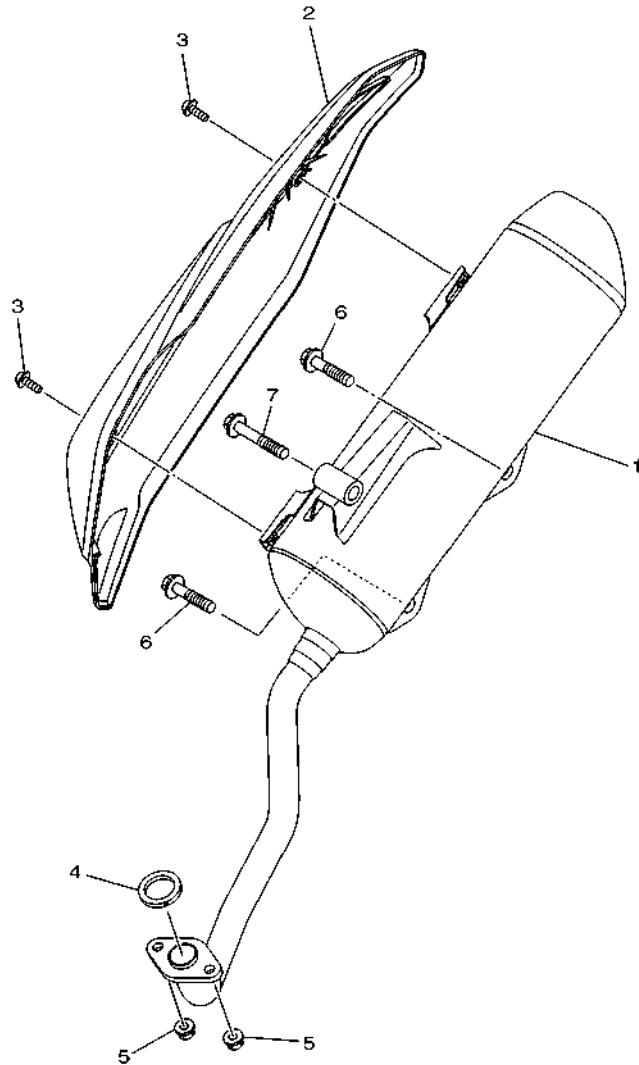


FIG. 8 INTAKE

REF. NO.	PART NO.	DESCRIPTION	BC37				REMARKS
28	52B-E443E-00	PIPE, DRAIN	1				
29	5TP-E443G-10	PIPE, DRAIN 2	1				
30	90467-12809	CLIP	2				
31	B74-E4449-00	COLLAR	2				
32	B74-E4435-00	GROMMET	2				
33	B65-E4417-00	COVER 1	1				
34	B65-E4419-00	PIPE	1				
35	90467-22802	CLIP	1				
36	95D32-06030	BOLT, FLANGE DEEP RECESS	2				
37	90520-15811	DAMPER, PLATE	1				
38	90520-10832	DAMPER, PLATE	1				
39	90450-43805	HOSE CLAMP ASSY	1				
40	B65-E1166-00	PIPE, BREATHER 1	1				
41	90467-11825	CLIP	1				
42	90467-12052	CLIP	1				

FIG. 9 EXHAUST



B631422-S090

REF. NO.	PART NO.	DESCRIPTION	BG37				REMARKS
1	B65-E4711-00	MUFFLER 1	1				
2	B65-E4718-00	PROTECTOR, MUFFLER 1	1				
3	90111-06807	BOLT,HEX. SOCKET BUTTON	2				
4	2DP-E4613-00	GASKET, EXHAUST PIPE	1				
5	95702-08500	NUT, FLANGE	2				
6	95812-10045	BOLT, FLANGE	2				
7	95812-10060	BOLT, FLANGE	1				

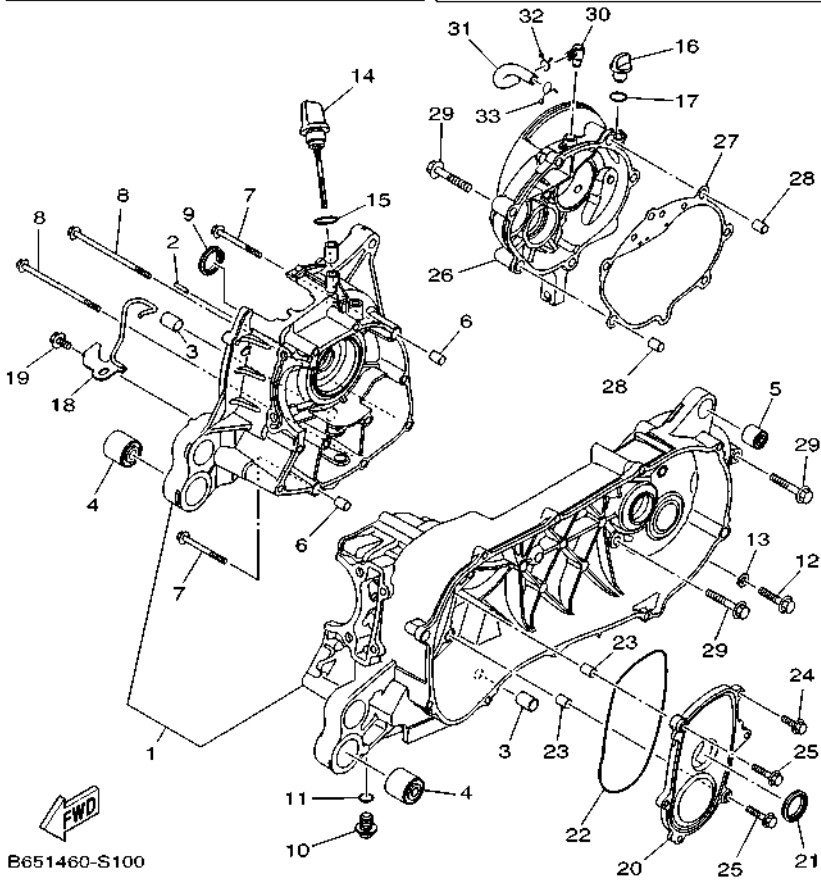
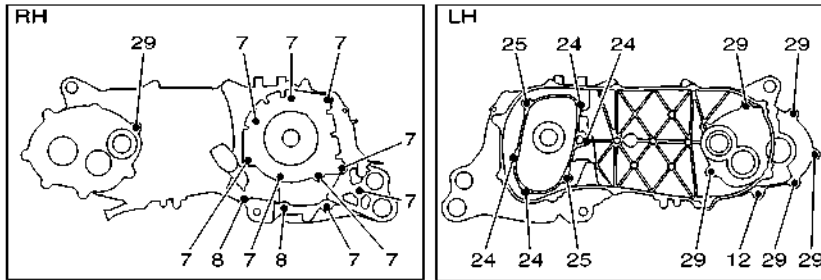


FIG. 10 CRANKCASE

REF. NO.	PART NO.	DESCRIPTION	EG37	REMARKS
1	B65-E5150-00	CRANKCASE ASSY	1	
2	99480-03012	PIN	1	
3	54P-F7121-00	BUSH	2	
4	90388-10808	DAMPER	2	
5	5MX-F2216-00	BUSH, REAR SHOCK ABSORBER	1	UR
4D1-F2216-00	BUSH, REAR SHOCK ABSORBER	1	UR	
6	91810-14809	PIN, DOWEL	2	
7	95022-06060	BOLT, FLANGE	9	
8	95022-06110	BOLT, FLANGE	2	
9	93102-22829	OIL SEAL	1	
10	90340-12808	PLUG, STRAIGHT SCREW	1	
11	4YS-E1198-00	GASKET	1	
12	95D32-08035	BOLT, FLANGE DEEP RECESS	1	
13	90430-08119	GASKET	1	
14	2DP-E5362-00	PLUG, OIL LEVEL	1	
15	5LW-E3769-00	O-RING	1	
16	5LW-E5363-00	PLUG, OIL	1	
17	93210-14816	O-RING	1	
18	B65-E5199-00	BRACKET	1	
19	95022-06012	BOLT, FLANGE	1	
20	B65-E5423-00	COVER 2	1	
21	93102-24802	OIL SEAL	1	
22	93211-28800	O-RING	1	
23	91810-14809	PIN, DOWEL	2	
24	95022-06020	BOLT, FLANGE	4	
25	95022-06030	BOLT, FLANGE	2	
26	B65-E5421-00	COVER, CRANKCASE 2	1	

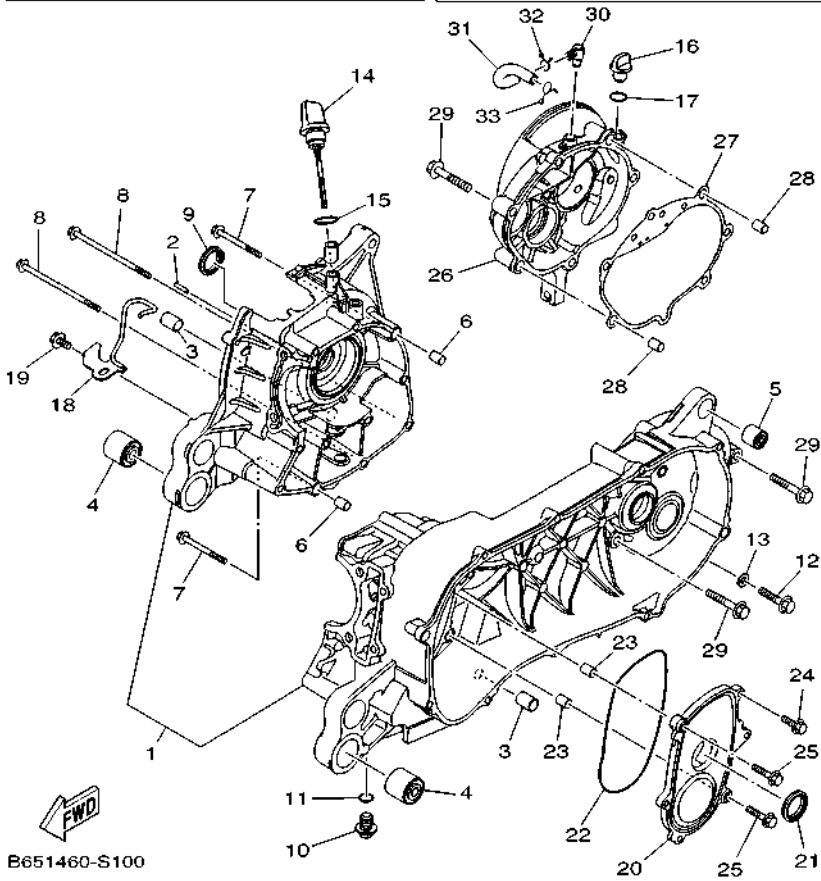
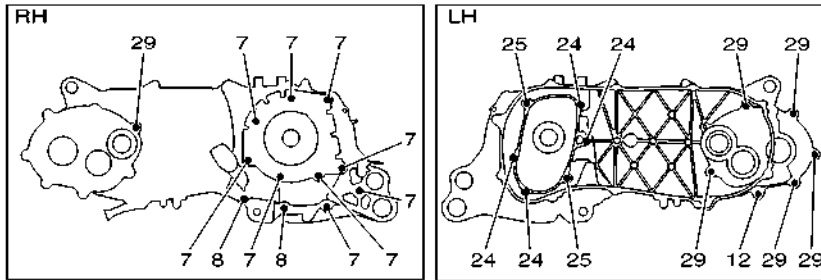
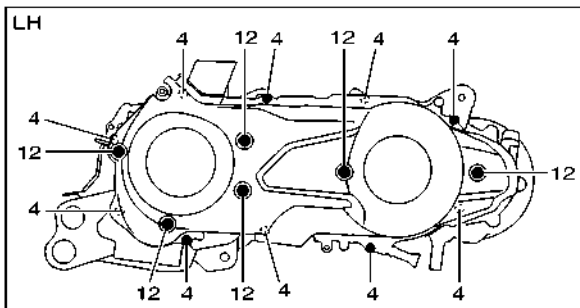
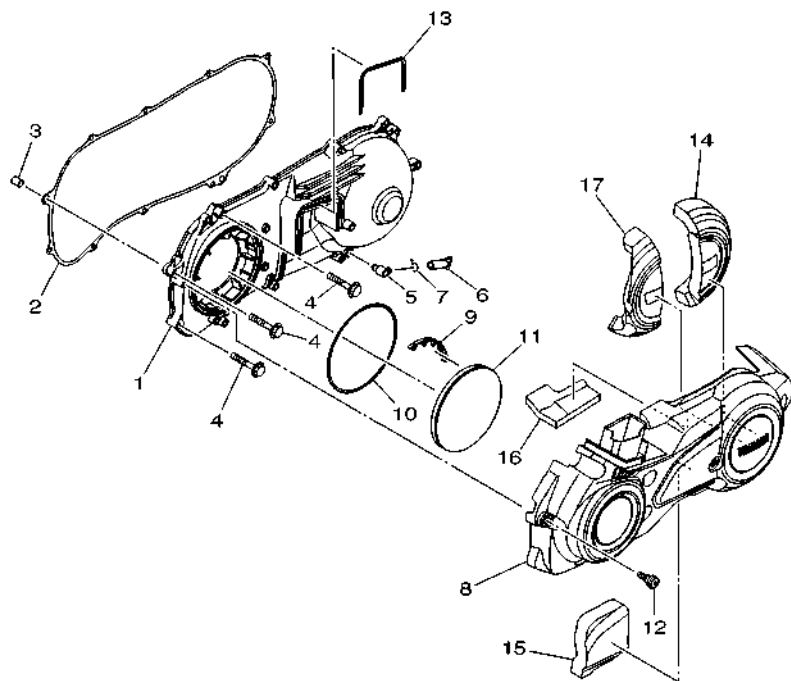


FIG. 10 CRANKCASE

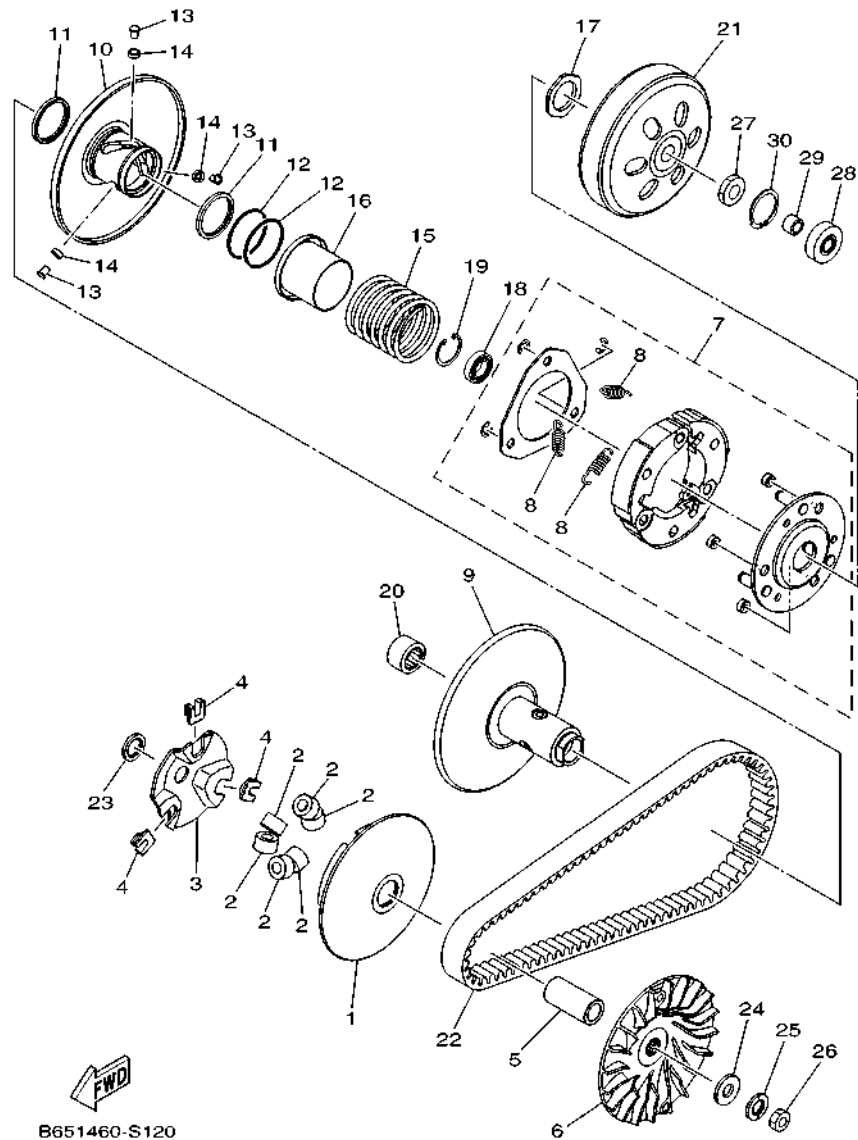
REF. NO.	PART NO.	DESCRIPTION	BC37	REMARKS
27	B65-E5461-00	GASKET, CRANKCASE COVER 2	1	
28	91810-14809	PIN, DOWEL	2	
29	95022-08045	BOLT, FLANGE	6	
30	5LW-E5371-01	BREATHER	1	
31	B65-E5373-00	PIPE, BREATHER	1	
32	90467-10008	CLIP	1	
33	90467-11825	CLIP	1	

FIG. 11 CRANKCASE COVER 1




B631422-S110

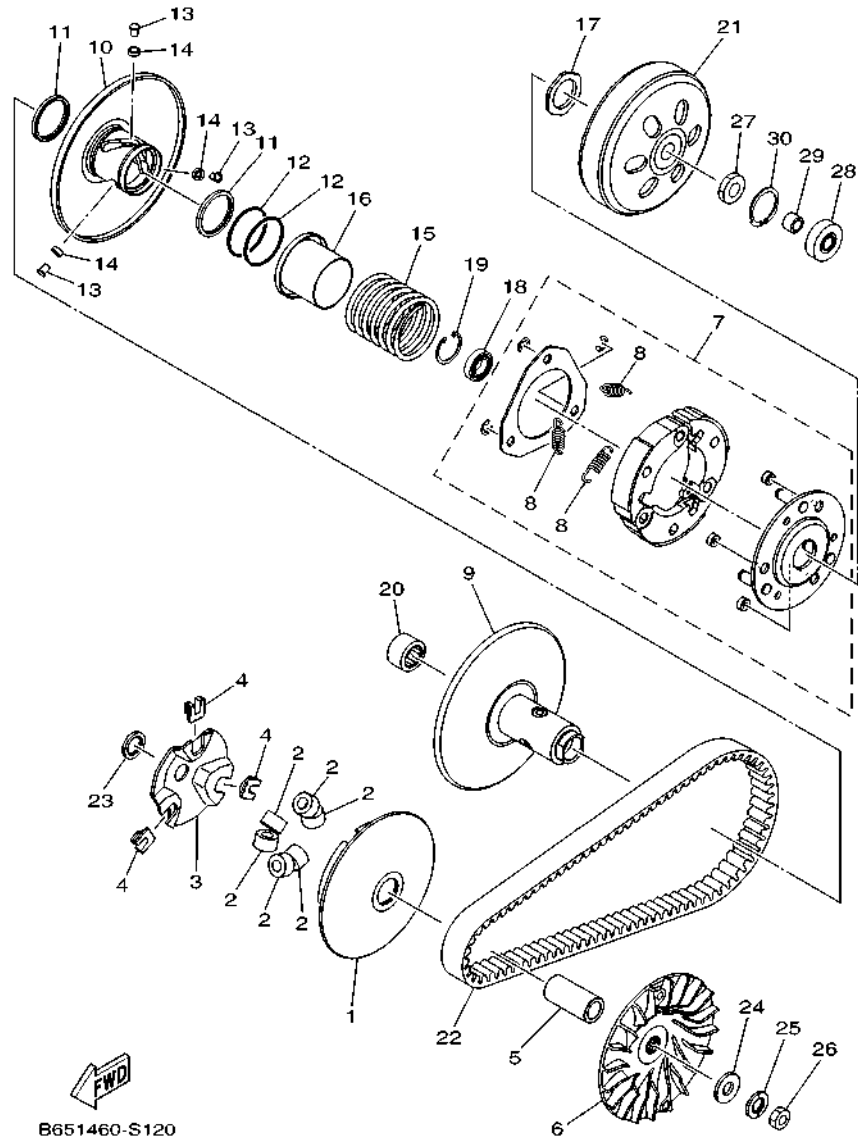
REF. NO.	PART NO.	DESCRIPTION	BC37				REMARKS
1	B65-E5411-00	COVER, CRANKCASE 1	1				
2	B65-E5451-00	GASKET, CRANKCASE COVER 1	1				
3	91810-14809	PIN, DOWEL	1				
4	95022-06035	BOLT, FLANGE	10				
5	5LW-E5371-01	BREATHER	1				
6	4ST-E443E-00	PIPE, DRAIN	1				
7	90467-11106	CLIP	1				
8	B65-E5431-00	COVER, CRANKCASE 3	1				
9	2DP-E5495-00	SEAL, PROTECTOR 1	1				
10	B65-E5472-00	SEAL, AIR DUCT	1				
11	2DP-E5407-00	ELEMENT 1	1				
12	2DP-E5481-00	BOLT 1	6				
13	2DP-E5474-00	SEAL, AIR DUCT	1				
14	B65-E5316-00	DAMPER 1	1				
15	B65-E5326-00	DAMPER 2	1				
16	B65-E5335-00	DAMPER 3	1				
17	B65-E5337-00	DAMPER 4	1				



B651460-S120

FIG. 12 CLUTCH

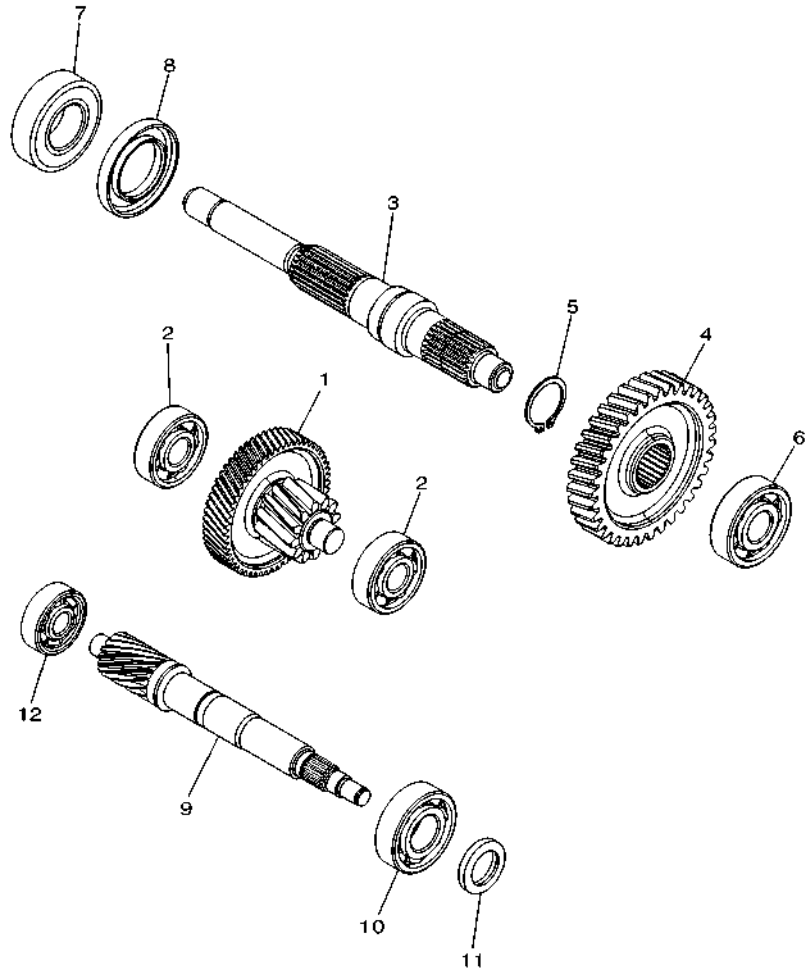
REF. NO.	PART NO.	DESCRIPTION	BC37				REMARKS
1	B65-E7620-00	PRIMARY SLIDING SHEAVE COMP.	1				
2	B65-E7632-00	WEIGHT	6				
3	2DP-E7623-00	CAM	1				
4	44D-E7653-00	SLIDER	3				
5	2DP-E7674-00	COLLAR, GUIDE	1				
6	2DP-E7611-00	SHEAVE, PRIMARY FIXED	1				
7	B65-E6620-00	CLUTCH CARRIER ASSY	1				
8	B65-E6626-00	.SPRING, CLUTCH WEIGHT 1	3				
9	2DP-E7660-00	SECONDARY FIXED SHEAVE COMP.	1				
10	B65-E7670-00	SECONDARY SLIDING SHEAVE	1				
11	2DP-E7465-00	SEAL	2				
12	2DP-E7465-10	SEAL	2				
13	B74-E7664-00	PIN, GUIDE	3				
14	2DP-E7674-10	COLLAR, GUIDE	3				
15	B65-E7683-00	SPRING, SECONDARY	1				
16	2DP-E7684-00	SEAT, SECONDARY SPRING	1				
17	2DP-E7668-00	NUT	1				
18	2DP-E7678-00	BEARING	1				
19	2DP-E5744-00	CIRCLIP	1				
20	2DP-E7678-10	BEARING	1				
21	B65-E6611-00	CLUTCH HOUSING COMP.	1				
22	B65-E7641-00	V-BELT	1				
23	90201-16819	WASHER, PLATE	1				
24	90201-163G6	WASHER, PLATE	1				
25	90208-12808	WASHER, CONICAL SPRING	1				
26	90170-12800	NUT	1				
27	90170-12802	NUT	1				



B651460-S120

FIG. 12 CLUTCH

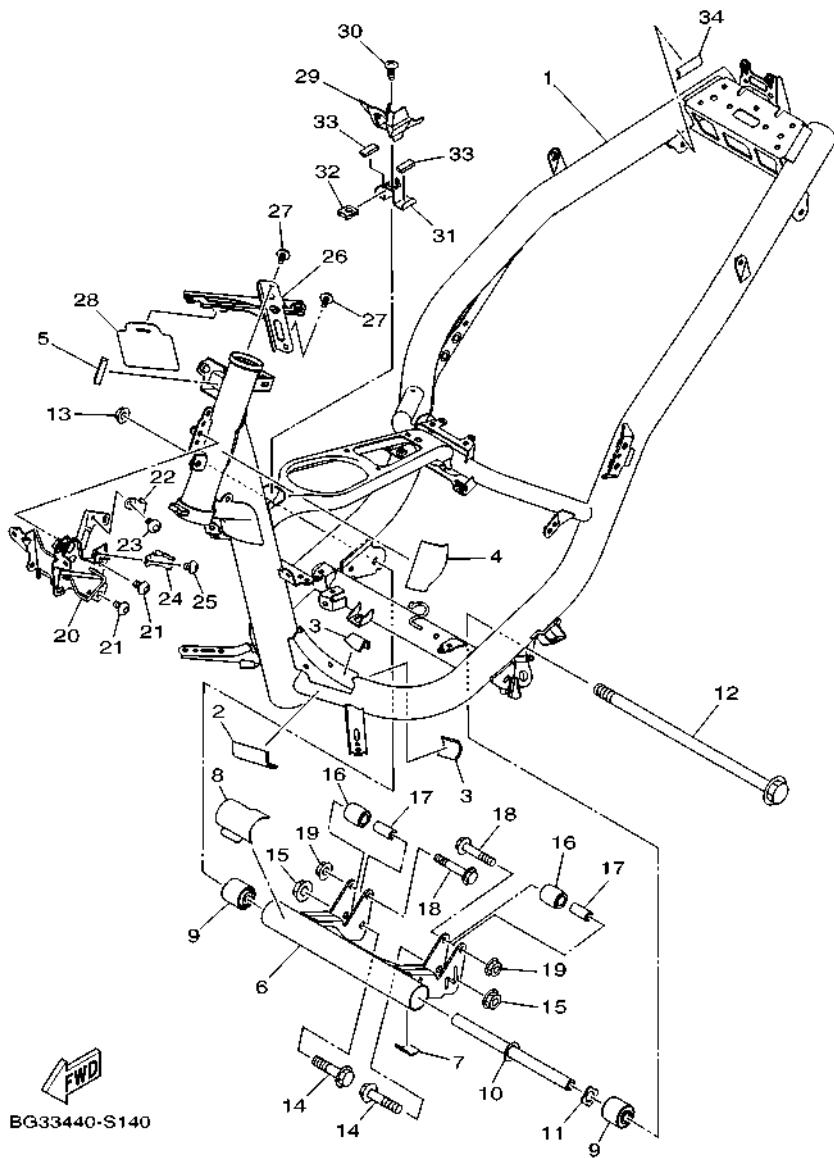
REF. NO.	PART NO.	DESCRIPTION	EG37				REMARKS
28	93306-252YR	BEARING	1				
29	90380-10803	BUSH, SOLID	1				
30	99009-35700	CIRCLIP	1				




 2DP1460-P140

FIG. 13 TRANSMISSION

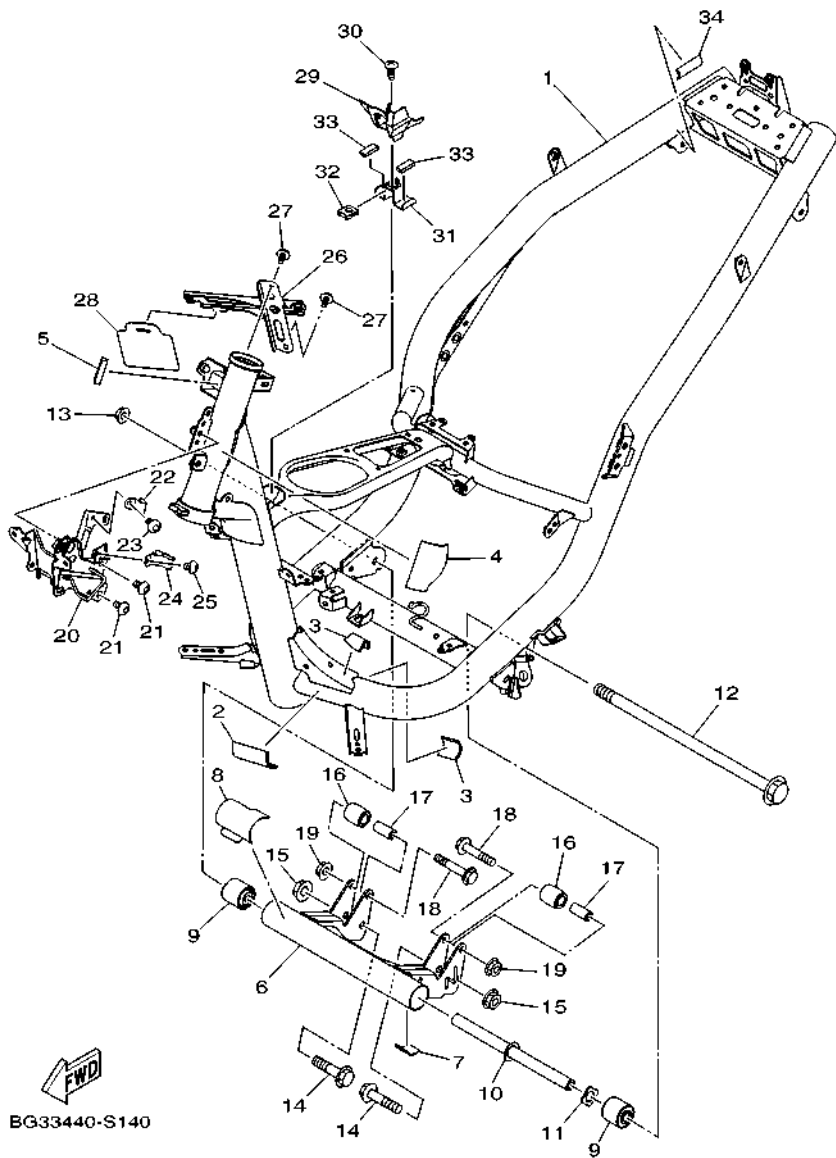
REF. NO.	PART NO.	DESCRIPTION	BC37				REMARKS
1	B65-E7410-00	MAIN AXLE COMP. (13T/56T)	1				UR
	B65-E7410-10	MAIN AXLE COMP. (13T/56T)	1				UR
	B65-E7410-20	MAIN AXLE COMP. (13T/56T)	1				UR
2	93306-302YP	BEARING	2				
3	B65-E7421-00	AXLE, DRIVE	1				UR
	B65-E7421-10	AXLE, DRIVE	1				UR
4	B65-E7211-00	GEAR, 1ST WHEEL (40T)	1				UR
	B65-E7211-10	GEAR, 1ST WHEEL (40T)	1				UR
5	99009-25400	CIRCLIP	1				
6	93306-303YT	BEARING	1				
7	93306-255X5	BEARING	1				
8	93102-32807	OIL SEAL	1				
9	B65-E6111-00	GEAR, PRIMARY DRIVE (16T)	1				UR
	B65-E6111-10	GEAR, PRIMARY DRIVE (16T)	1				UR
10	93306-204XW	BEARING	1				
11	93102-20815	OIL SEAL	1				
12	93306-351Y5	BEARING	1				



EG33440-S140

FIG. 14 FRAME

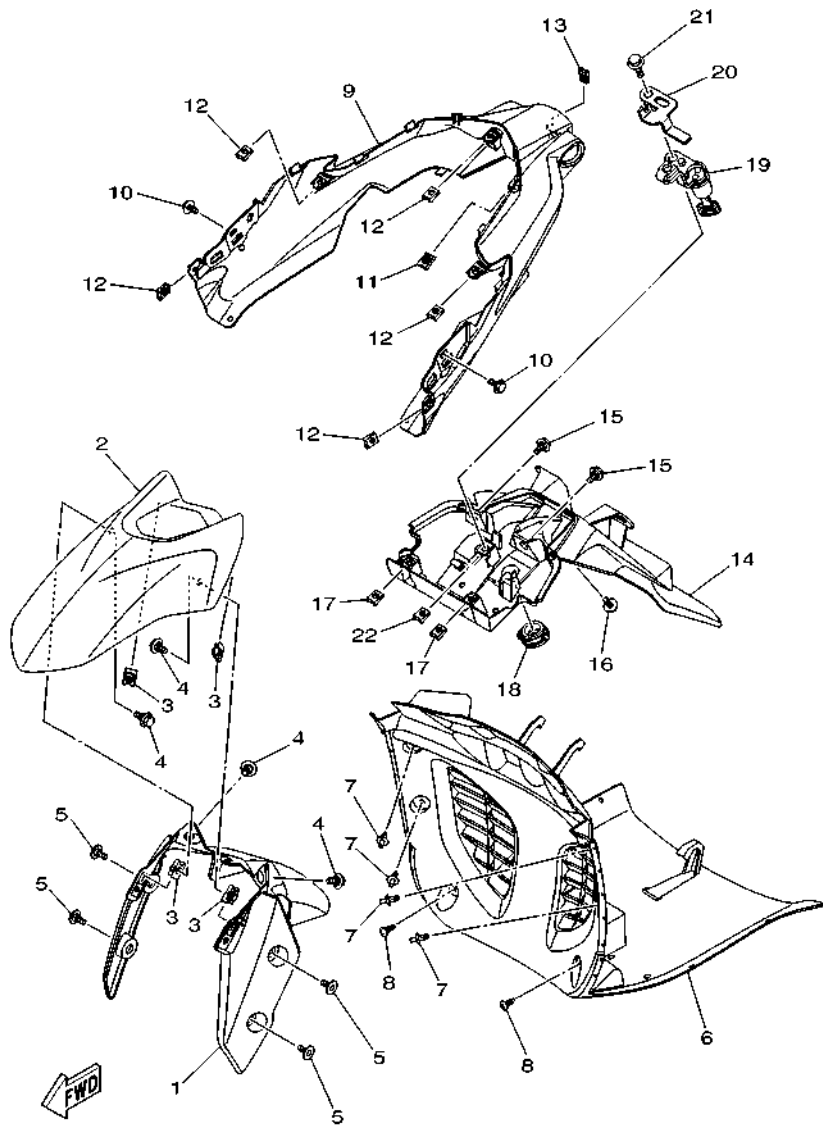
REF. NO.	PART NO.	DESCRIPTION	EG37				REMARKS
1	B65-F1110-00	FRAME COMP.	1				
2	5D9-F414G-00	SEAL	1				
3	5D9-F414G-10	SEAL	2				
4	90520-02829	DAMPER, PLATE	1				
5	90520-08803	DAMPER, PLATE	1				
6	B65-F1410-00	ENGINE BRACKET COMP.	1				
7	5D9-F414G-10	SEAL	1				
8	B65-F117G-00	PROTECTOR	1				
9	90388-10818	DAMPER	2				
10	90387-10857	COLLAR	1				
11	B65-F113B-00	DAMPER	1				
12	B65-F2141-00	SHAFT, PIVOT	1				
13	95602-10200	NUT, S/L FLANGE	1				
14	90105-10283	BOLT, FLANGE	2				
15	95602-10200	NUT, S/L FLANGE	2				
16	5P2-F7114-00	STOPPER, MAIN STAND	2				
17	90387-08821	COLLAR	2				
18	90105-088E3	BOLT, FLANGE	2				
19	95602-08200	NUT, U FLANGE	2				
20	B65-F8356-10	STAY 1	1				
21	92012-08012	BOLT, BUTTON HEAD	2				
22	B65-F5887-00	HOLDER, BRAKE HOSE	1				
23	92012-06010	BOLT, BUTTON HEAD	1				
24	B65-F587A-00	HOLDER, BRAKE HOSE	1				
25	92012-06010	BOLT, BUTTON HEAD	1				
26	B65-F8358-00	STAY 3	1				
27	95D32-06010	BOLT, FLANGE DEEP RECESS	2				



EG33440-S140

FIG. 14 FRAME

REF. NO.	PART NO.	DESCRIPTION	EG37				REMARKS
28	B65-F1521-00	FLAP, FRONT FENDER	1				
29	B65-F472T-00	COVER, SEAT LOCK	1				
30	97707-50016	SCREW, TRUSS HEAD TAPPING	1				
31	B65-F4738-00	BRACKET, SEAT	1				
32	90183-05807	NUT, SPRING	1				
33	90520-05815	DAMPER, PLATE	2				
34	90520-10834	DAMPER, PLATE	1				

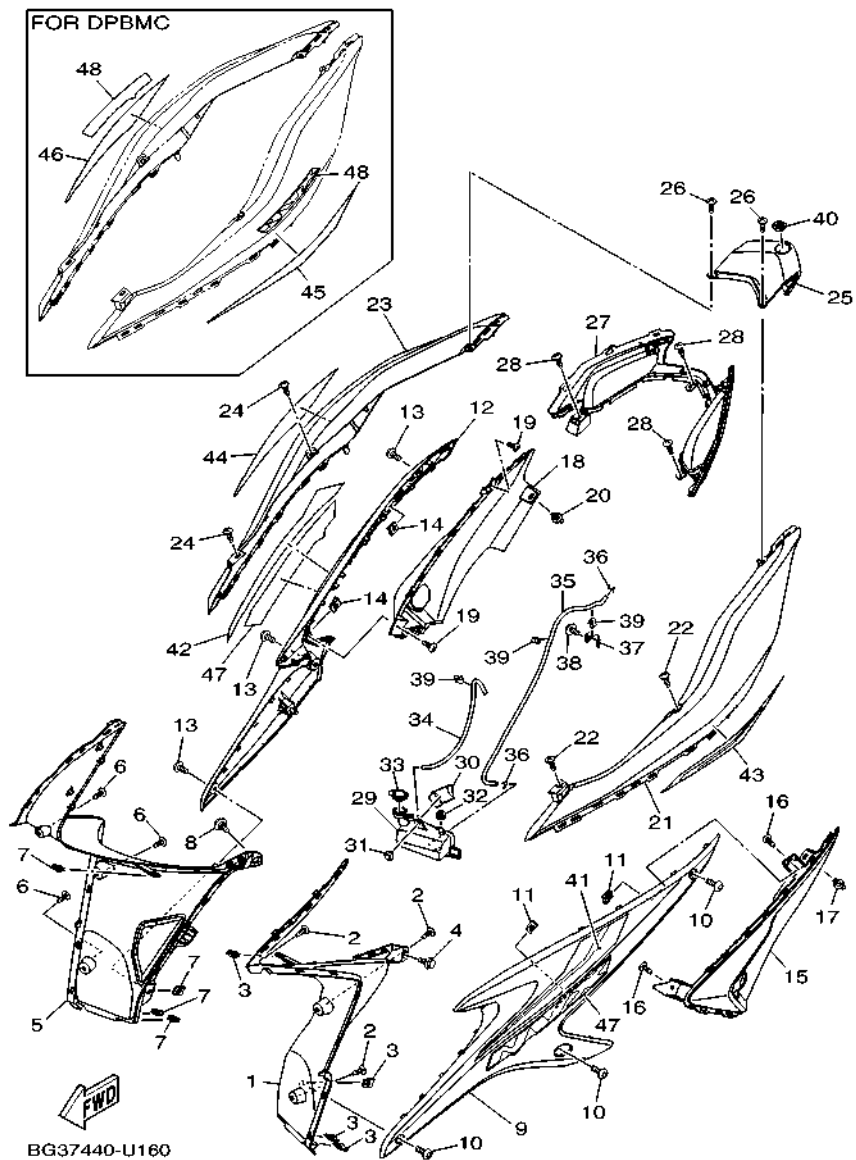


BG37440-U150

FIG. 15 FENDER

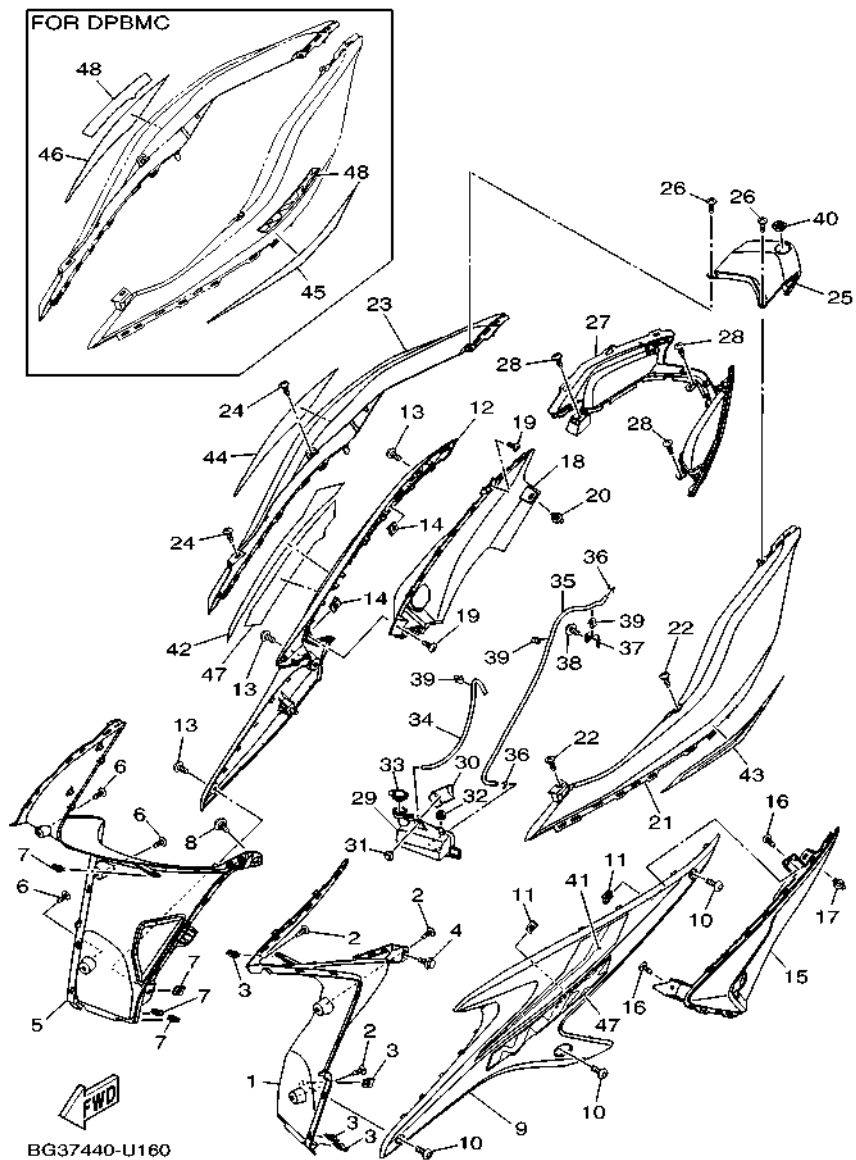
REF. NO.	PART NO.	DESCRIPTION	BG37				REMARKS
1	B65-F1511-00	FENDER, FRONT	1				
2	BG3-F1556-00-P3	FENDER, FRONT 2	1				UR FOR RM7
	BG3-F1556-00-P4	FENDER, FRONT 2	1				UR FOR MNM3
	BG3-F1556-00-P1	FENDER, FRONT 2	1				UR FOR DPBMC
3	90183-06818	NUT, SPRING	4				
4	90109-06220	BOLT	4				
5	90109-068A4	BOLT	4				
6	B65-F1552-00	FENDER, INNER	1				
7	90269-06816	RIVET	4				
8	97707-50016	SCREW, TRUSS HEAD TAPPING	2				
9	B65-F1611-00	FENDER, REAR	1				
10	90119-06044	BOLT, WITH WASHER	2				
11	90183-06800	NUT, SPRING	1				
12	90183-05807	NUT, SPRING	5				
13	90183-04039	NUT, SPRING	1				
14	B65-F162R-10	FENDER 2	1				
15	90109-06220	BOLT	2				
16	90119-06096	BOLT, WITH WASHER	1				
17	90183-05807	NUT, SPRING	2				
18	B65-F482H-00	CAP	1				
19	B65-F465E-00	ROTOR COMP.	1				
20	B65-F117K-00	STAY, LOCK	1				
21	95022-06020	BOLT, FLANGE	1				
22	90183-06800	NUT, SPRING	1				

FIG. 16 SIDE COVER



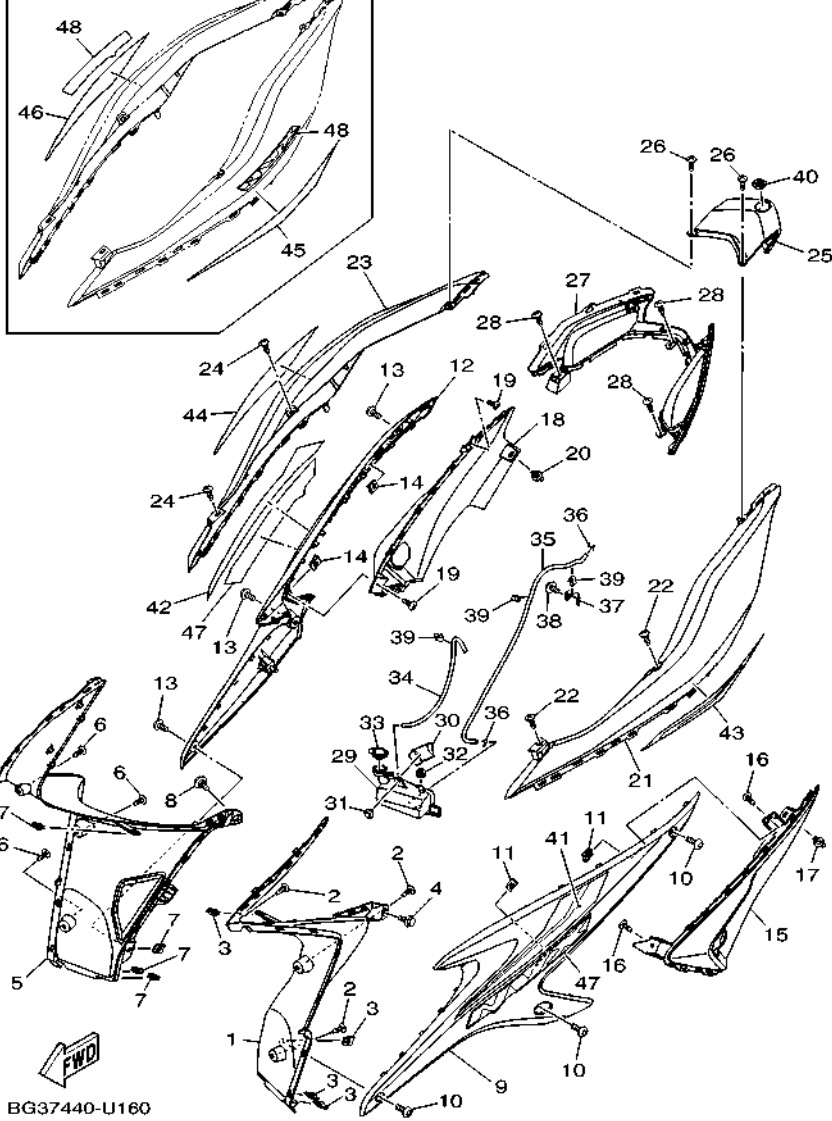
REF. NO.	PART NO.	DESCRIPTION	BG37	REMARKS
1	B65-F1711-00	COVER, SIDE 1	1	
2	97707-50016	SCREW, TRUSS HEAD TAPPING	3	
3	90183-05807	NUT, SPRING	4	
4	90109-06220	BOLT	1	
5	B65-F1721-00	COVER, SIDE 2	1	
6	97707-50016	SCREW, TRUSS HEAD TAPPING	3	
7	90183-05807	NUT, SPRING	4	
8	90109-06220	BOLT	1	
9	BG3-F1731-00-P0	COVER, SIDE 3	1	UR MBL2 FOR RM7
	BG3-F1731-00-P2	COVER, SIDE 3	1	UR RYC1 FOR MNM3
	BG3-F1731-00-P3	COVER, SIDE 3	1	UR SMX FOR DPBMC
10	90167-05801	SCREW, TAPPING	3	
11	90183-05807	NUT, SPRING	2	
12	BG3-F1741-00-P0	COVER, SIDE 4	1	UR MBL2 FOR RM7
	BG3-F1741-00-P2	COVER, SIDE 4	1	UR RYC1 FOR MNM3
	BG3-F1741-00-P3	COVER, SIDE 4	1	UR SMX FOR DPBMC
13	90167-05801	SCREW, TAPPING	3	
14	90183-05807	NUT, SPRING	2	
15	B65-F171N-00	MOLE, SIDE COVER 3	1	
16	97707-50016	SCREW, TRUSS HEAD TAPPING	2	
17	90269-06816	RIVET	1	
18	B65-F171R-00	MOLE, SIDE COVER 4	1	
19	97707-50016	SCREW, TRUSS HEAD TAPPING	2	
20	90269-06816	RIVET	1	
21	BG3-F171E-00-P3	COVER, SIDE 5	1	UR FOR RM7
	BG3-F171E-00-P4	COVER, SIDE 5	1	UR FOR MNM3
	BG3-F171E-00-P2	COVER, SIDE 5	1	UR SMX FOR DPBMC

FIG. 16 SIDE COVER



REF. NO.	PART NO.	DESCRIPTION	BG37	REMARKS
22	97707-50016	SCREW, TRUSS HEAD TAPPING	2	
23	BG3-F171X-00-P3	COVER, SIDE 6	1	UR FOR RM7
	BG3-F171X-00-P4	COVER, SIDE 6	1	UR FOR MNM3
	BG3-F171X-00-P2	COVER, SIDE 6	1	UR SMX FOR DPBMC
24	97707-50016	SCREW, TRUSS HEAD TAPPING	2	
25	BG3-F471K-00-P3	COVER, TAIL 1	1	UR FOR RM7
	BG3-F471K-00-P4	COVER, TAIL 1	1	UR FOR MNM3
	BG3-F471K-00-P2	COVER, TAIL 1	1	UR SMX FOR DPBMC
26	97707-50016	SCREW, TRUSS HEAD TAPPING	2	
27	B65-F472K-00	COVER, TAIL 2	1	
28	97707-50016	SCREW, TRUSS HEAD TAPPING	3	
29	B65-F1871-00	TANK, RECOVERY	1	
30	90520-02829	DAMPER, PLATE	1	
31	90109-06220	BOLT	1	
32	90480-14808	GROMMET	1	
33	1S7-F1875-01	CAP	1	
34	B65-F1816-00	PIPE 1	1	
35	B65-F1817-00	PIPE 2	1	
36	90467-08003	CLIP	2	
37	B65-F2957-00	BRACKET, HOSE	1	
38	95D02-06012	BOLT, FLANGE DEEP RECESS	1	
39	90464-07805	CLAMP	3	
40	5P2-F1737-00	EMBLEM	1	
41	BG3-F173E-40	GRAPHIC 1	1	UR FOR RM7
	BG3-F173E-50	GRAPHIC 1	1	UR FOR MNM3
42	BG3-F173F-40	GRAPHIC 2	1	UR FOR RM7
	BG3-F173F-50	GRAPHIC 2	1	UR FOR MNM3

FOR DPBMC

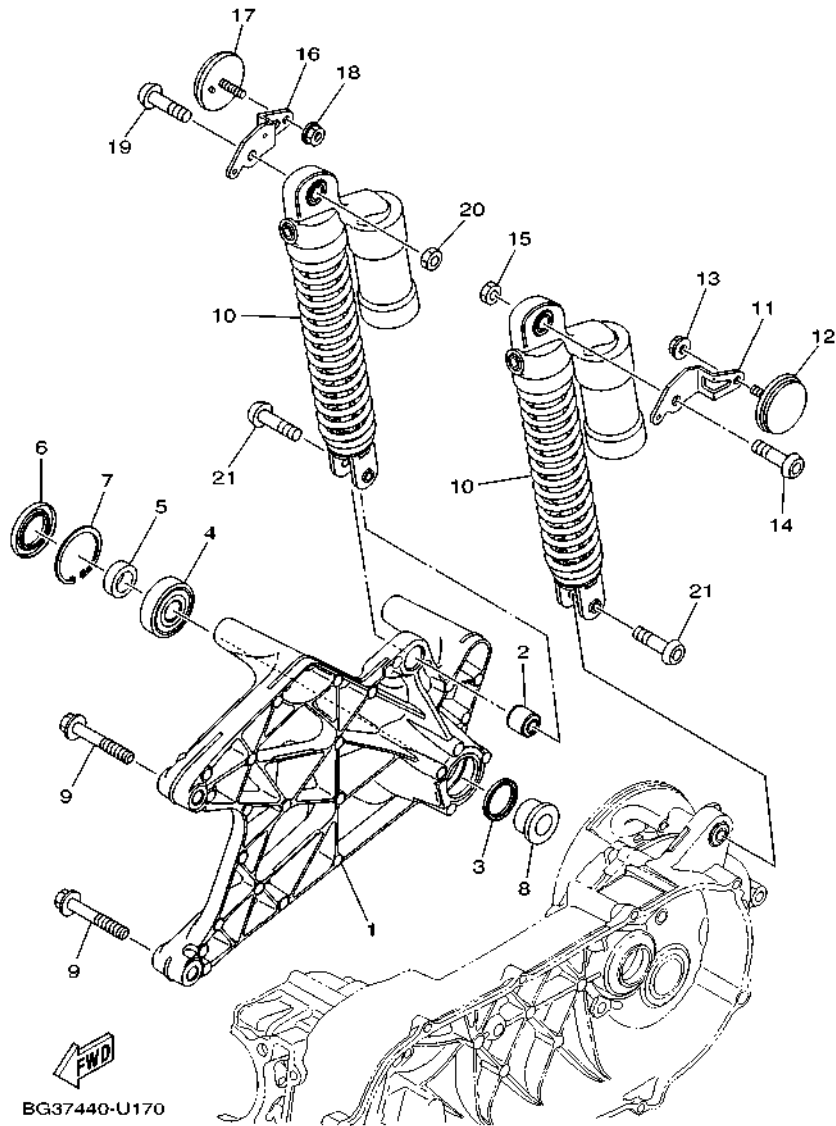


BG37440-U160

FIG. 16 SIDE COVER

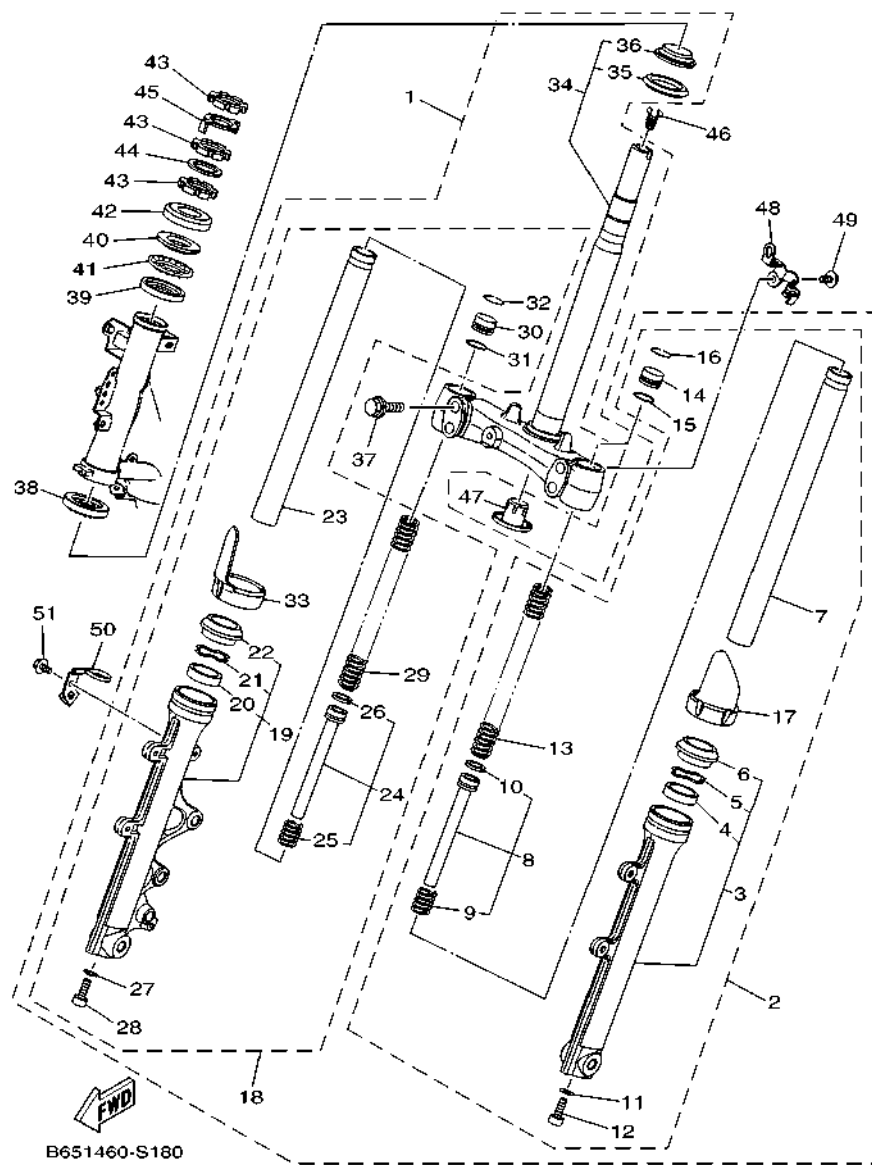
REF. NO.	PART NO.	DESCRIPTION	BG37		REMARKS
43	BG3-F174G-30	GRAPHIC 3	1		UR FOR RM7
	BG3-F174G-40	GRAPHIC 3	1		UR FOR MNM3
44	BG3-F174H-30	GRAPHIC 4	1		UR FOR RM7
	BG3-F174H-40	GRAPHIC 4	1		UR FOR MNM3
45	BG3-F174J-40	GRAPHIC 5	1		FOR DPBMC
46	BG3-F174K-40	GRAPHIC 6	1		FOR DPBMC
47	BG3-F1781-30	EMBLEM 1	2		UR FOR RM7
	BG3-F1781-40	EMBLEM 1	2		UR FOR MNM3
48	BG3-F1783-00	EMBLEM 3	2		FOR DPBMC

FIG. 17 REAR ARM & SUSPENSION



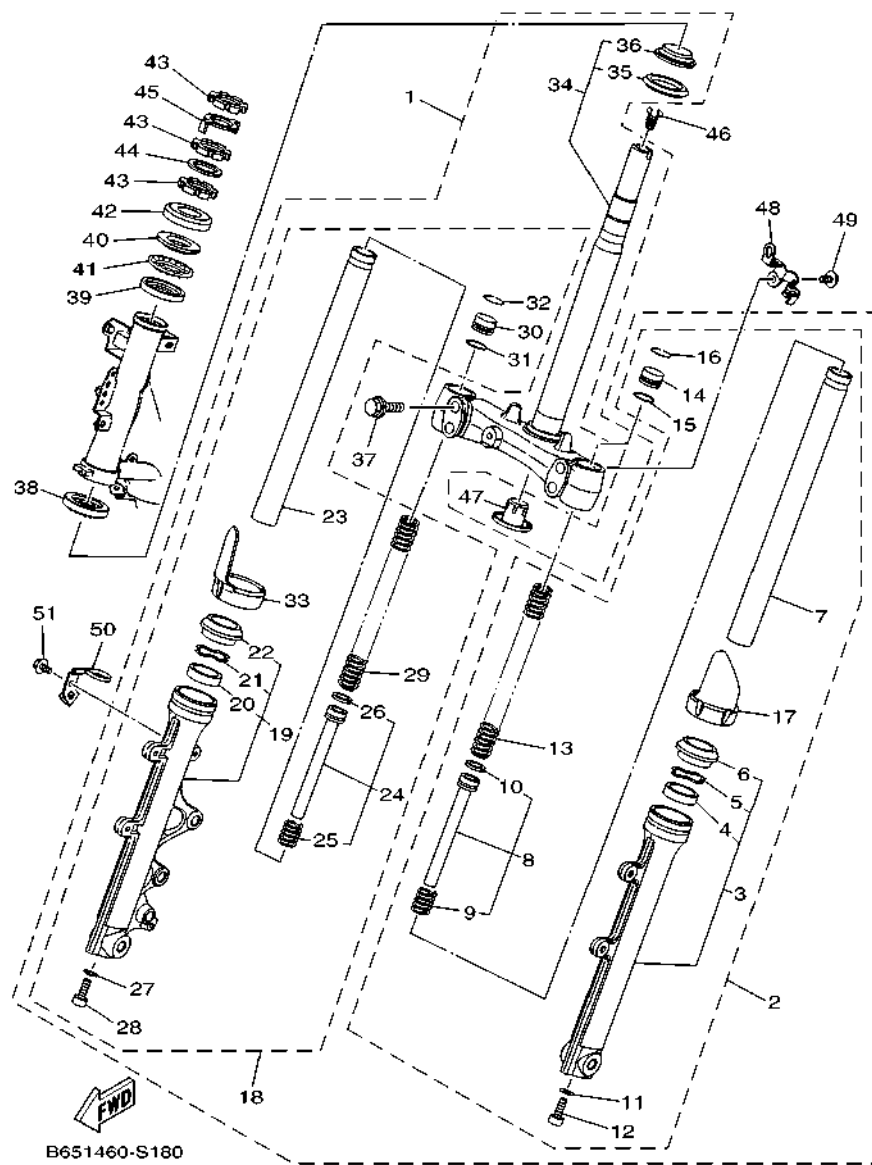
REF. NO.	PART NO.	DESCRIPTION	BG37			REMARKS
1	B65-F2171-00	ARM, REAR 1	1			
2	5MX-F2216-00	BUSH, REAR SHOCK ABSORBER	1			UR
	4D1-F2216-00	BUSH, REAR SHOCK ABSORBER	1			UR
3	93106-28801	OIL SEAL	1			
4	93306-303YV	BEARING	1			
5	90387-17807	COLLAR	1			
6	93106-28813	OIL SEAL	1			
7	99009-47500	CIRCLIP	1			
8	90387-17808	COLLAR	1			
9	95D32-10060	BOLT, FLANGE DEEP RECESS	2			
10	B63-F2210-30	SHOCK ABSORBER ASSY, REAR	2			
11	BG3-F221A-10	BRACKET 1	1			
12	2FC-H5111-00	REFLECTOR, FRONT 1	1			
13	95702-05500	NUT, FLANGE	1			
14	90149-08804	SCREW	1			
15	95302-08600	NUT, HEXAGON	1			
16	BG3-F221B-10	BRACKET 2	1			
17	2FC-H5111-00	REFLECTOR, FRONT 1	1			
18	95702-05500	NUT, FLANGE	1			
19	90149-08804	SCREW	1			
20	95302-08600	NUT, HEXAGON	1			
21	90149-08804	SCREW	2			

FIG. 18 STEERING



REF. NO.	PART NO.	DESCRIPTION	BC37				REMARKS
1	B65-F3100-10	FRONT FORK ASSY	1				
2	B65-F3102-10	.FRONT FORK ASSY (L.H)	1				
3	B65-F3126-00	..TUBE, OUTER (L.H)	1				
4	3AY-F3145-00	...OIL SEAL	1				
5	5P0-F3156-00	...RING, SNAP	1				
6	5LM-F3144-00	...SEAL, DUST	1				
7	B65-F3110-00	..INNER TUBE COMP.1	1				
8	B65-F3170-10	..CYLINDER COMP., FRONT FORK	1				
9	5LM-F3152-00	...SPRING, SUB	1				
10	2JG-F3157-00	...RING, PISTON	1				
11	2BU-F3158-00	..GASKET	1				
12	278-F3181-50	..BOLT, HEXAGON SOCKET HEAD	1				
13	B63-F3141-00	..SPRING, FRONT FORK	1				
14	1FC-F3111-10	..BOLT, CAP	1				
15	2JG-F3147-00	..O-RING	1				
16	31B-F3153-00	..RING, SNAP	1				
17	B65-F315H-00	..PROTECTOR 1	1				
18	B65-F3103-10	.FRONT FORK ASSY (R.H)	1				
19	B65-F3136-00	..TUBE, OUTER 2	1				
20	3AY-F3145-00	...OIL SEAL	1				
21	5P0-F3156-00	...RING, SNAP	1				
22	5LM-F3144-00	...SEAL, DUST	1				
23	B65-F3110-00	..INNER TUBE COMP.1	1				
24	B65-F3170-10	..CYLINDER COMP., FRONT FORK	1				
25	5LM-F3152-00	...SPRING, SUB	1				
26	2JG-F3157-00	...RING, PISTON	1				
27	2BU-F3158-00	..GASKET	1				

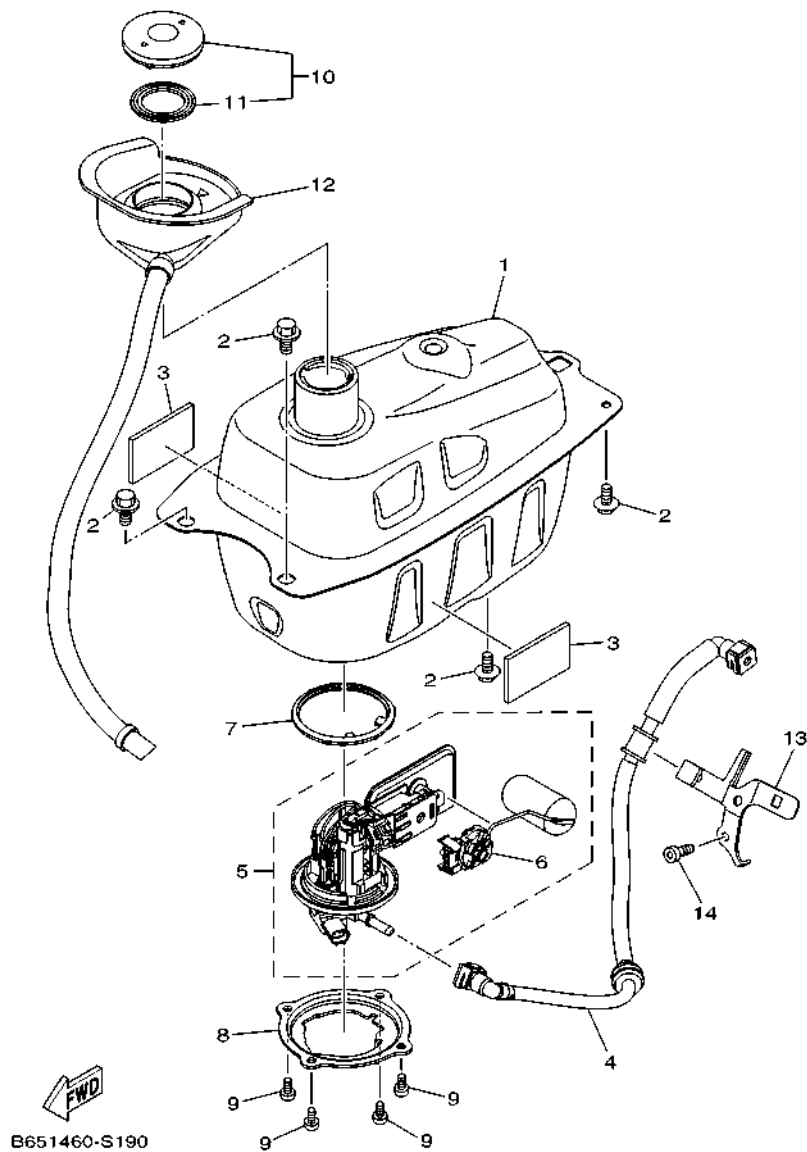
FIG. 18 STEERING



B651460-S180

REF. NO.	PART NO.	DESCRIPTION	BC37	REMARKS
28	278-F3181-50	..BOLT, HEXAGON SOCKET HEAD	1	
29	B63-F3141-00	..SPRING, FRONT FORK	1	
30	1FC-F3111-10	..BOLT, CAP	1	
31	2JG-F3147-00	..O-RING	1	
32	31B-F3153-00	..RING, SNAP	1	
33	B65-F315J-00	..PROTECTOR 2	1	
34	B65-F3340-00	..UNDER BRACKET COMP.	1	
35	B63-F3462-00	..SEAL, DUST	1	
36	2TD-F3875-00	..BEARING, STEERING LOWER	1	
37	4D0-F3346-00	..BOLT 1	4	
38	2TD-F3873-00	BEARING, STEERING UPPER	1	
39	4RT-F3412-10	RACE, BALL 2	1	
40	4RT-F3411-10	RACE, BALL 1	1	
41	1P6-F341E-10	RETAINER, BALL BEARING	1	
42	5TL-F3416-00	COVER, BALL RACE 2	1	
43	90179-25810	NUT	3	
44	90202-26142	WASHER, PLATE	1	
45	1PA-F3418-00	WASHER, SPECIAL	1	
46	B65-F312G-00	PLUG, HOLE	1	
47	B65-F3123-00	COVER, UNDER 1	1	
48	B65-F5875-00	HOLDER, BRAKE HOSE 1	1	
49	95D02-06012	BOLT, FLANGE DEEP RECESS	1	
50	B65-F5876-00	HOLDER, BRAKE HOSE 2	1	
51	95D02-06012	BOLT, FLANGE DEEP RECESS	1	

FIG. 19 FUEL TANK



REF. NO.	PART NO.	DESCRIPTION	BG37				REMARKS
1	B65-F4110-00	FUEL TANK COMP.	1				
2	90119-068B7	BOLT, WITH WASHER	4				
3	90520-02829	DAMPER, PLATE	2				
4	B65-E3971-00	PIPE, FUEL 1	1				
5	B65-E3907-10	FUEL PUMP COMP.	1				
6	B65-H5752-00	.SENDER UNIT ASSY, FUEL METER	1				
7	54P-F414G-10	SEAL	1				
8	2DP-F4491-00	BRACKET, FUEL PUMP	1				
9	91312-05010	BOLT, HEXAGON SOCKET HEAD	4				
10	4YY-F4610-00	CAP ASSY	1				
11	4YY-F4612-00	.PACKING, CAP	1				
12	B65-F414A-00	COVER, FILLER	1				
13	B65-F419A-00	HOLDER	1				
14	91317-06016	BOLT,HEX.SOCKET HEAD	1				

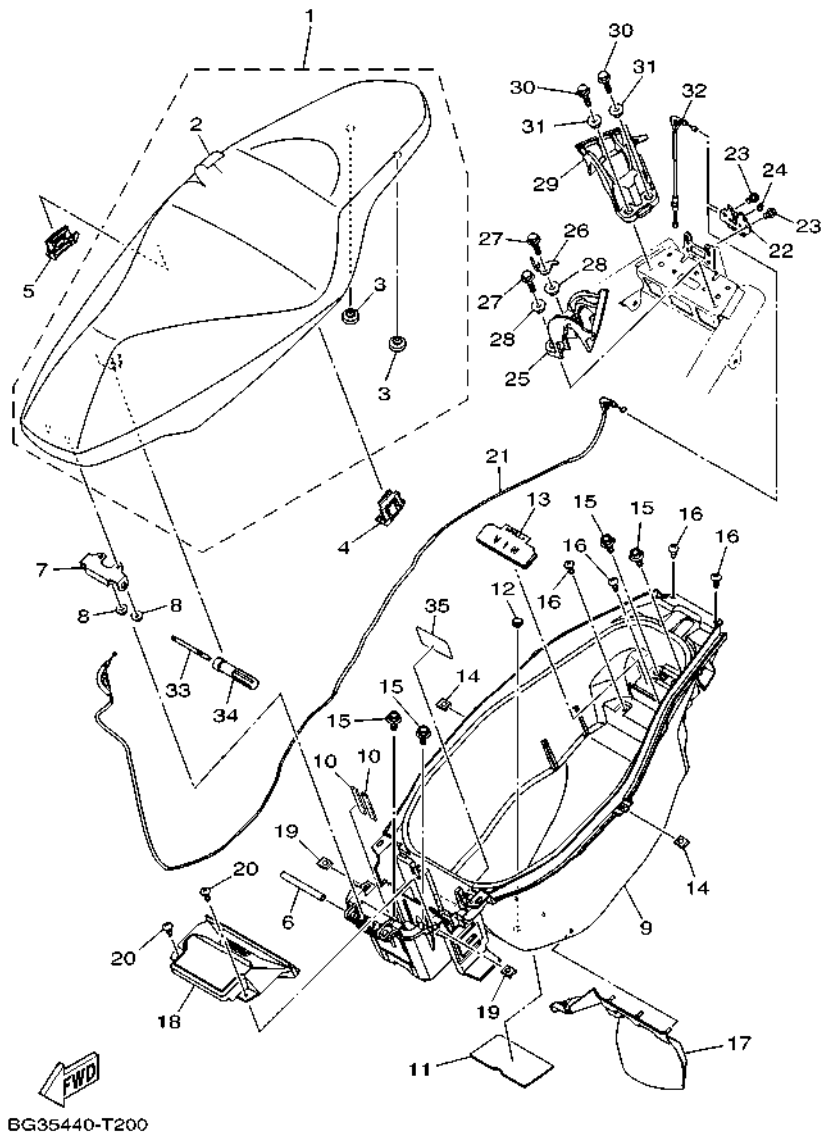
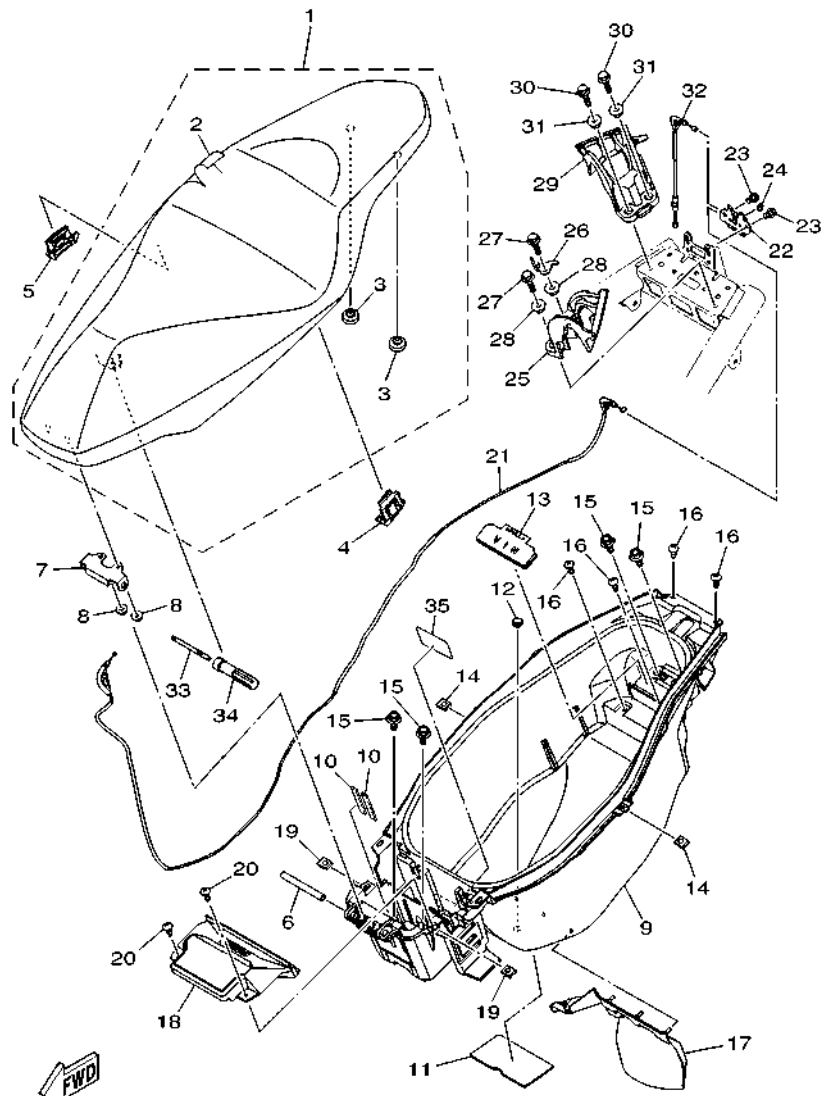


FIG. 20 SEAT

REF. NO.	PART NO.	DESCRIPTION	BG37	REMARKS
1	B65-F4730-10	DOUBLE SEAT ASSY	1	UR FOR RM7,MNM3
	B65-F4730-20	DOUBLE SEAT ASSY	1	UR FOR DPBMC
2	B65-F470F-10	.SEAT COVER COMP.	1	UR FOR RM7,MNM3
	B65-F470F-20	.SEAT COVER COMP.	1	UR FOR DPBMC
3	3C1-F4741-00	.PAD, SEAT	2	
4	B65-F476A-00	PLATE, GUIDE 1	1	
5	B65-F476E-00	PLATE, GUIDE 2	1	
6	2WB-F4727-00	PIN, SEAT FITTING	1	
7	B65-F4726-00	HINGE, SEAT	1	
8	95702-06500	NUT, FLANGE	2	
9	B65-F473R-10	BOX 1	1	
10	90520-04806	DAMPER, PLATE	2	
11	B63-F4737-00	DAMPER, SEAT	1	
12	4US-F6199-00	PLUG, BLIND	1	
13	B65-F384L-00	COVER, DUST	1	
14	90183-05807	NUT, SPRING	2	
15	90109-06220	BOLT	4	
16	97707-50016	SCREW, TRUSS HEAD TAPPING	4	
17	B65-F1621-00	FLAP	1	
18	B65-H2129-00	COVER, BATTERY	1	
19	90183-05807	NUT, SPRING	2	
20	97707-50016	SCREW, TRUSS HEAD TAPPING	2	
21	B65-F478E-01	CABLE, SEAT LOCK	1	
22	B65-F4780-00	SEAT LOCK ASSY	1	
23	95022-06010	BOLT, FLANGE	2	
24	1S8-F4768-00	STOPPER	1	
25	B65-F474A-00	ASSIST, GRIP	1	



BG35440-T200

FIG. 20 SEAT

REF. NO.	PART NO.	DESCRIPTION	BG37				REMARKS
26	B65-F472J-00	GUIDE	1				
27	95D32-06025	BOLT, FLANGE DEEP RECESS	2				
28	90387-08840	COLLAR	2				
29	B65-F474W-00	ASSIST,GRIP 2	1				
30	95D32-06025	BOLT, FLANGE DEEP RECESS	2				
31	90387-08840	COLLAR	2				
32	B65-F479D-00	WIRE, SEAT LOCK 2	1				
33	1DY-F8153-00	DRIVER PLUS	1				
34	5LM-F8151-00	GRIP, DRIVER	1				
35	B17-F1668-00	LABEL, TIRE	1				

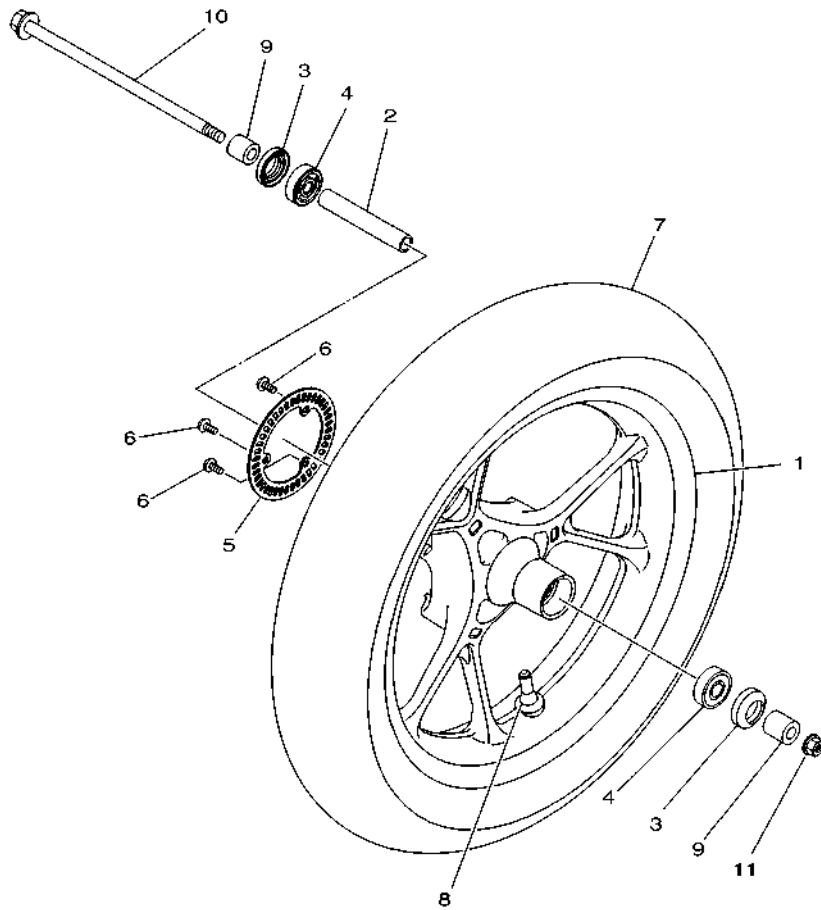


FIG. 21 FRONT WHEEL

REF. NO.	PART NO.	DESCRIPTION	EG37		REMARKS
1	B65-F5168-00-33	CAST WHEEL, FRONT	1		YB FOR RM7,MNM3
	B65-F5168-00-P0	CAST WHEEL, FRONT	1		DPBM15 FOR DPBMC
2	90387-10848	COLLAR	1		
3	93106-20816	OIL SEAL	2		
4	93306-300YF	BEARING	2		
5	2DP-F517G-00	ROTOR, SENSOR	1		
6	90149-05030	SCREW	3		
7	94111-14804	TIRE (110/80-14 M/C 53P)	1		INOUE
8	93900-00828	VALVE, RIM	1		
9	90387-10277	COLLAR	2		
10	B65-F5181-00	AXLE, WHEEL	1		
11	95602-10200	NUT, S/L FLANGE	1		



B631422-S210

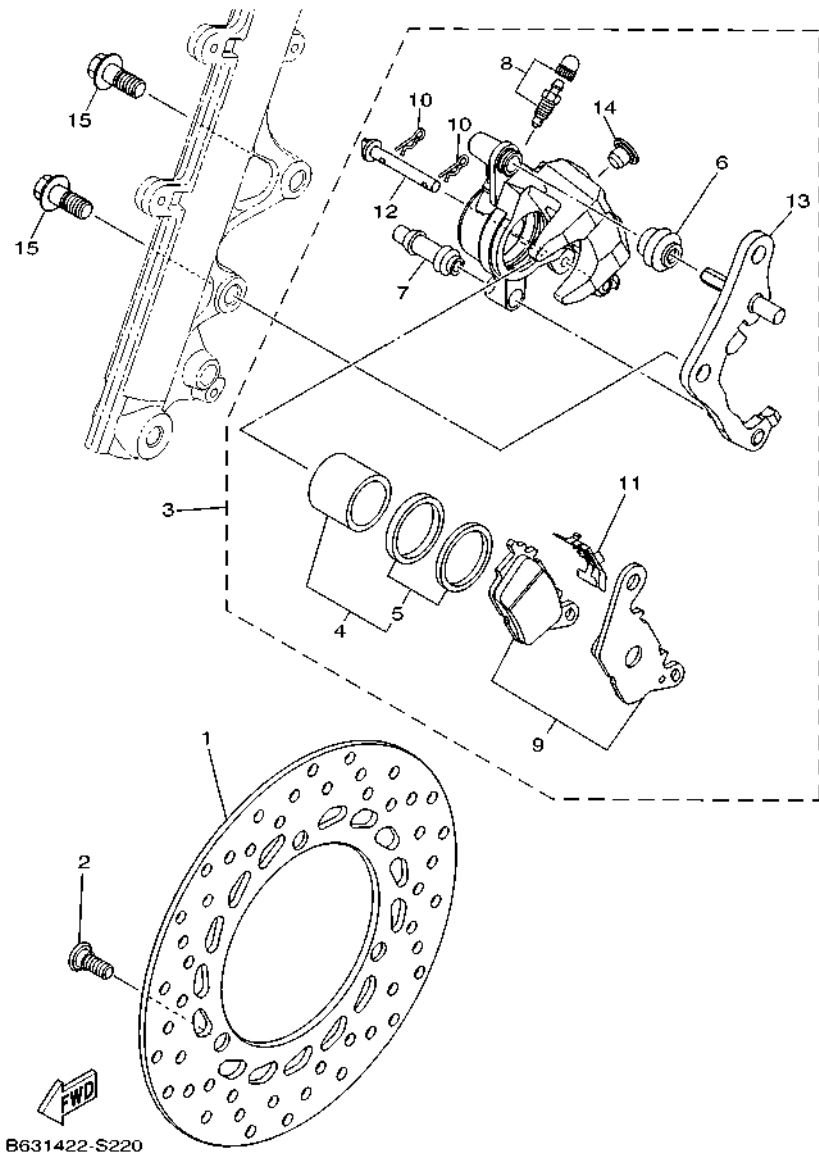
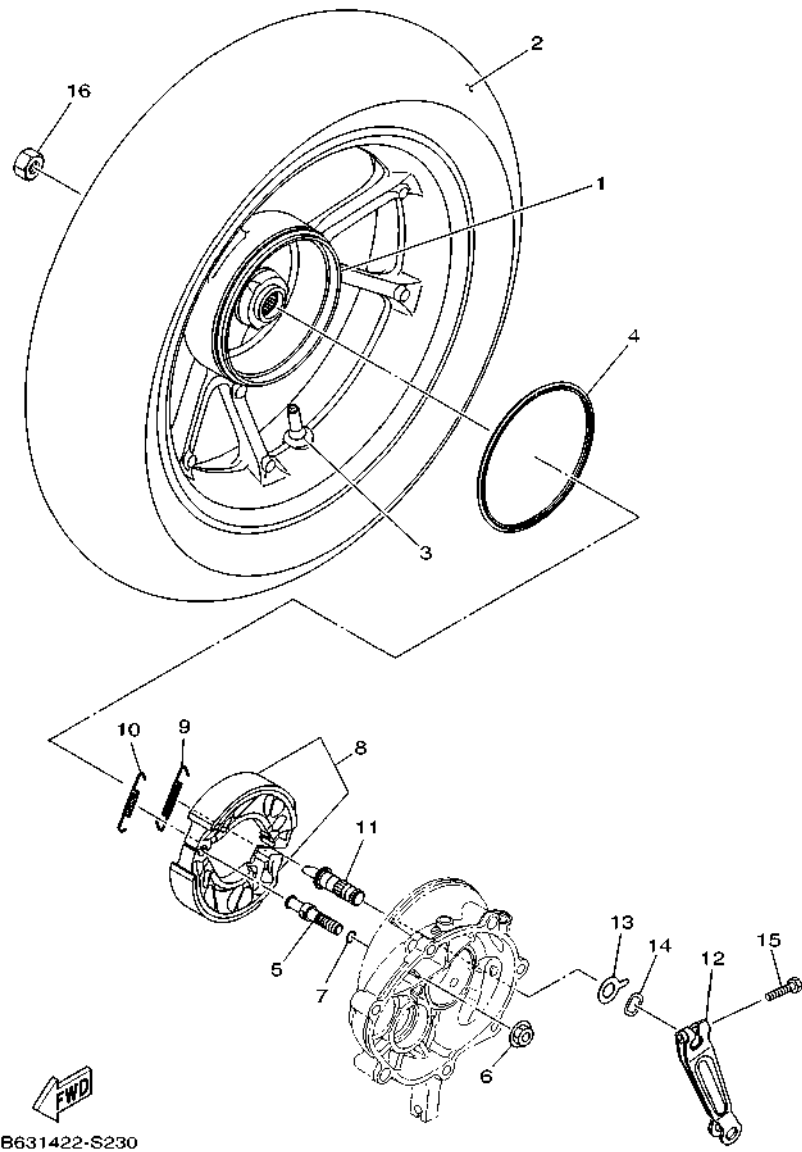


FIG. 22 FRONT BRAKE CALIPER

REF. NO.	PART NO.	DESCRIPTION	EG37	REMARKS
1	2DP-F582U-00	DISK, BRAKE (RIGHT)	1	
2	90109-08232	BOLT	3	
3	B63-F580U-00	CALIPER ASSY (RIGHT)	1	
4	2BM-F5802-00	.PISTON ASSY, CALIPER	1	
5	5YP-F5803-50	.CALIPER SEAL KIT	1	
6	2BM-F5917-00	.BOOT, CALIPER	1	
7	5YP-F5937-00	.BOOT 2	1	
8	4C9-W0048-00	.BLEED SCREW KIT	1	
9	B63-F5805-00	.BRAKE PAD KIT	1	
10	5YP-F5925-01	.CLIP	2	
11	2BM-F5919-00	.SUPPORT, PAD	1	
12	5YP-F5924-00	.PIN, PAD	1	
13	2DP-F5920-00	.SUPT. BRKT. ASSY.	1	
14	2R6-F5916-00	.PLUG	1	
15	90105-10831	BOLT, FLANGE	2	



B631422-S230

FIG. 23 REAR WHEEL

REF. NO.	PART NO.	DESCRIPTION	EG37				REMARKS
1	B65-F5338-00-33	CAST WHEEL, REAR	1				YB FOR RM7,MNM3
	B65-F5338-00-P0	CAST WHEEL, REAR	1				DPBM15 FOR DPBMC
2	94114-14801	TIRE (140/70-14 M/C 62P)	1				INOUE
3	93900-00828	VALVE, RIM	1				
4	B65-F5336-00	RING 2	1				
5	54P-F5326-00	PIN, PIVOT	1				
6	95702-10500	NUT, FLANGE	1				
7	93210-07802	O-RING	1				
8	5BP-F530K-20	BRAKE SHOE SET	1				
9	90506-12001	SPRING, TENSION	1				
10	90506-15001	SPRING, TENSION	1				
11	B65-F5351-00	CAMSHAFT	1				
12	B65-F5355-00	LEVER, CAMSHAFT	1				
13	5LW-F533A-00	PLATE, INDICATOR	1				
14	90206-14093	WASHER, WAVE	1				
15	90101-06046	BOLT	1				
16	90185-16800	NUT, SELF-LOCKING	1				

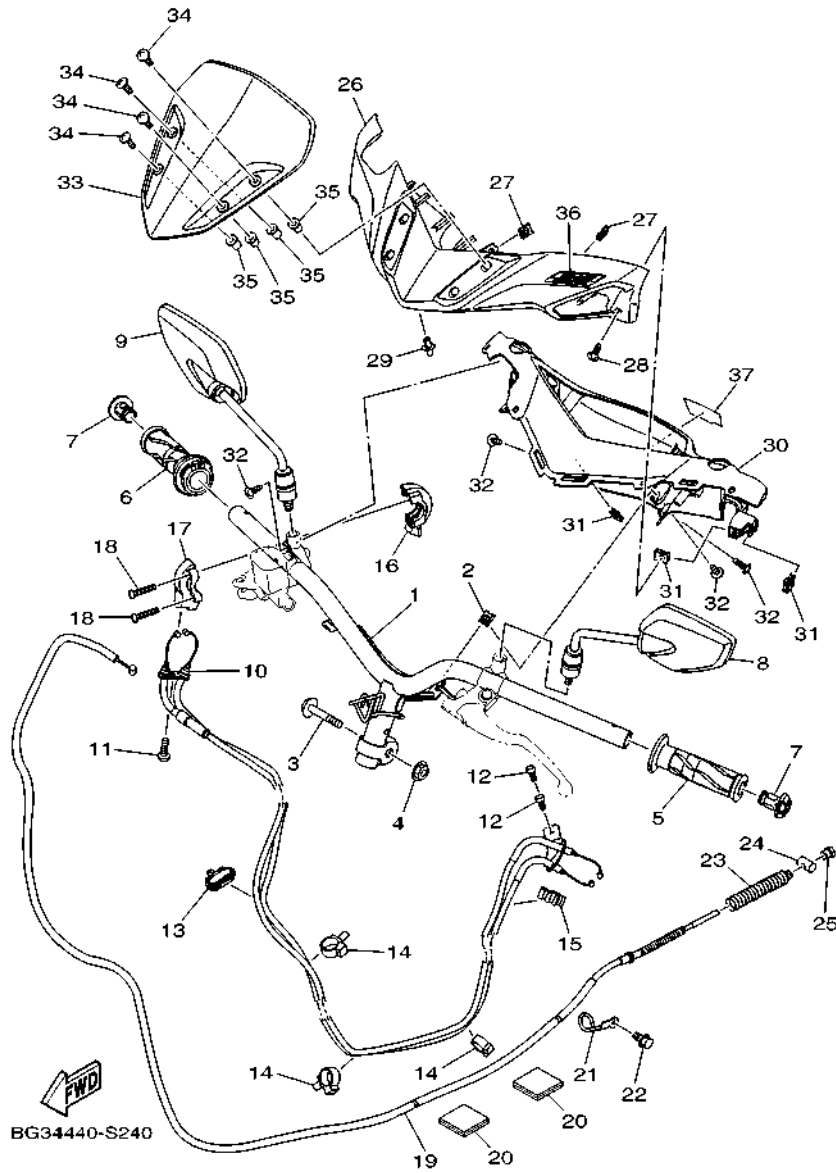
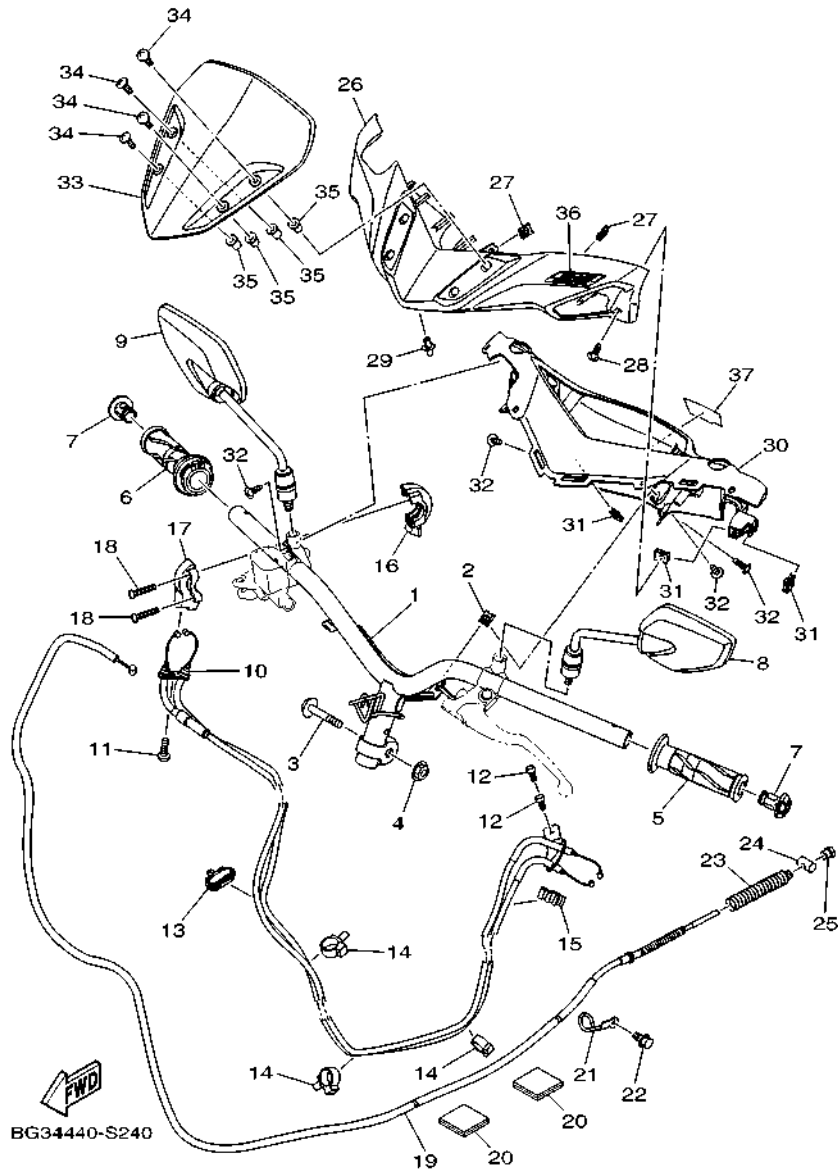


FIG. 24 STEERING HANDLE & CABLE

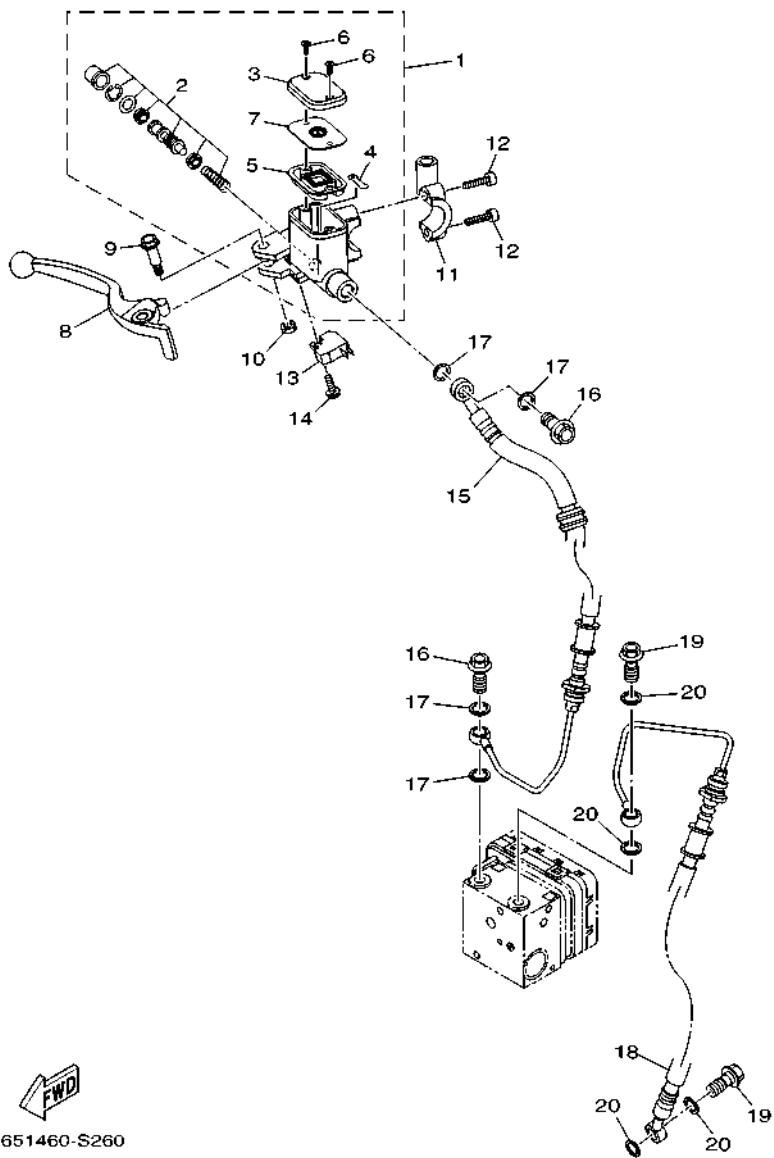
REF. NO.	PART NO.	DESCRIPTION	BG37				REMARKS
1	B65-F6110-00	HANDLE COMP.	1				
2	90183-05807	NUT, SPRING	1				
3	90105-10896	BOLT, FLANGE	1				
4	90185-10011	NUT, SELF-LOCKING	1				
5	1VP-F6241-00	GRIP	1				
6	B92-F6240-00	GRIP ASSY	1				
7	B92-F6246-00	END, GRIP	2				
8	2DP-F6280-00	REAR VIEW MIRROR ASSY (LEFT)	1				
9	2DP-F6290-00	REAR VIEW MIRROR ASSY (RIGHT)	1				
10	B65-F6301-00	THROTTLE CABLE ASSY	1				
11	92012-05016	BOLT, BUTTON HEAD	1				
12	91312-05010	BOLT, HEXAGON SOCKET HEAD	2				
13	90464-10802	CLAMP	1				
14	90464-16006	CLAMP	3				
15	90464-07807	CLAMP	1				
16	54P-F6281-01	CAP, GRIP UPPER	1				
17	54P-F6282-00	CAP, GRIP UNDER	1				
18	98502-05025	SCREW, PAN HEAD	2				
19	B65-F6351-00	CABLE, BRAKE	1				
20	BG3-F7485-00	SEAL	2				
21	B65-F637G-00	HOLDER, WIRE	1				
22	95022-06012	BOLT, FLANGE	1				
23	90501-16804	SPRING, COMPRESSION	1				
24	90249-12008	PIN	1				
25	90179-06835	NUT	1				
26	B65-F6143-00	COVER, HANDLE UPPER 1	1				
27	90183-05807	NUT, SPRING	2				

FIG. 24 STEERING HANDLE & CABLE



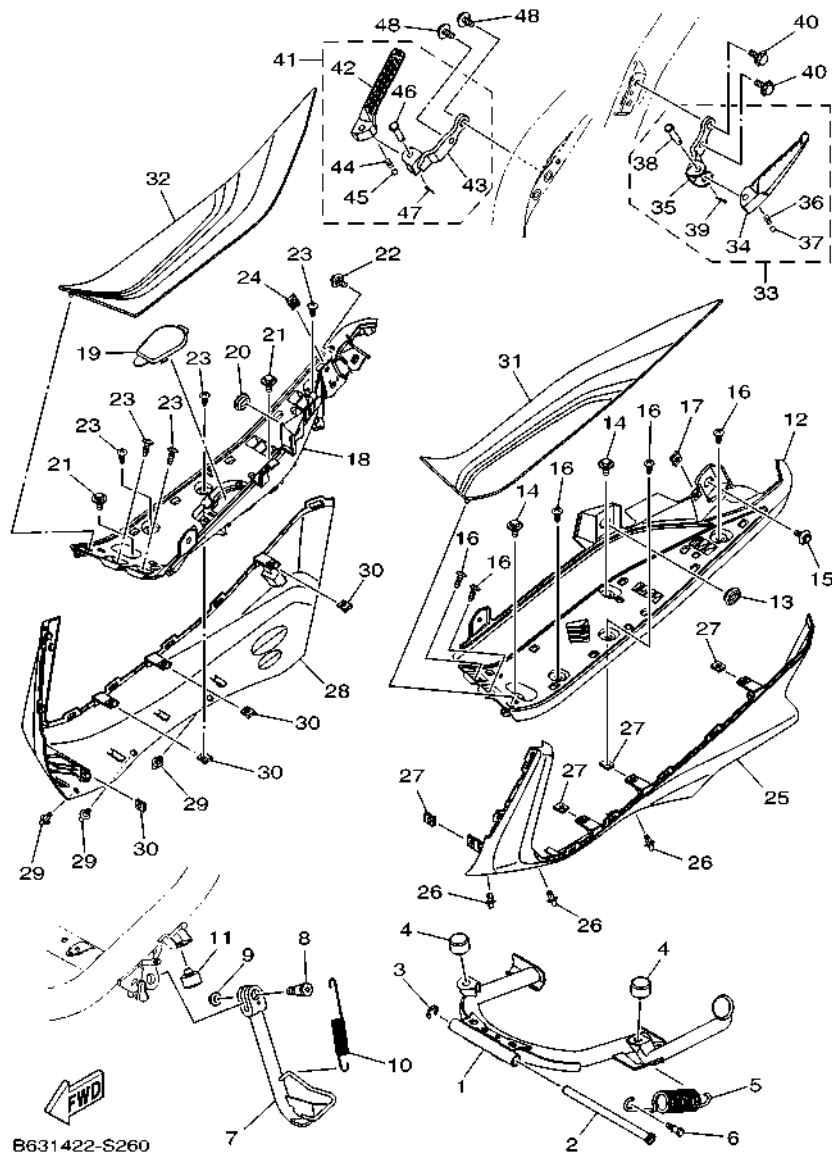
REF. NO.	PART NO.	DESCRIPTION	BG37	REMARKS
28	97707-50016	SCREW, TRUSS HEAD TAPPING	1	
29	90269-06816	RIVET	1	
30	BG3-F6145-00-P3	COVER, HANDLE UPPER 2	1	UR FOR RM7
	BG3-F6145-00-P4	COVER, HANDLE UPPER 2	1	UR FOR MNM3
	BG3-F6145-00-P1	COVER, HANDLE UPPER 2	1	UR FOR DPBMC
31	90183-05807	NUT, SPRING	3	
32	97707-50016	SCREW, TRUSS HEAD TAPPING	4	
33	B65-F61AA-00	VISOR	1	
34	90150-05023	SCREW, ROUND HEAD	4	
35	90179-05849	NUT	4	
36	B92-F1737-00	EMBLEM	1	
37	BG3-F60C1-40	EMBLEM 1	1	UR FOR RM7,MNM3
	BG3-F60C1-00	EMBLEM 1	1	UR FOR DPBMC

FIG. 25 FRONT MASTER CYLINDER



B651460-S260

REF. NO.	PART NO.	DESCRIPTION	BC37				REMARKS
1	B63-F5870-00	MASTER CYLINDER SUB ASSY	1				
2	1WD-F5807-00	.CYLINDER KIT, MASTER	1				
3	B63-F5852-00	.CAP, RESERVOIR	1				
4	3RW-25889-00	.SEPARATOR	1				
5	2ND-F5854-00	.DIAPHRAGM, RESERVOIR	1				
6	36Y-2589H-00	.SCREW	2				
7	2ND-F5855-00	.BUSH,DIAPHRAGM	1				
8	2PV-H3922-00	LEVER 2	1				
9	90109-06577	BOLT	1				
10	95602-06100	NUT, SELF-LOCKING	1				
11	5TL-F5867-11	BRACKET,MASTER CYLINDER(BLACK)	1				
12	91317-06025	BOLT,HEX.SOCKET HEAD	2				
13	2DP-H3980-00	FRONT STOP SWITCH ASSY	1				
14	97602-04312	SCREW, PAN HEAD WITH WASHER	1				
15	B65-F5873-00	HOSE, BRAKE 2	1				
16	90401-10812	BOLT, UNION	2				
17	90201-10118	WASHER, PLATE	4				
18	B65-F5874-00	HOSE, BRAKE	1				
19	90401-10812	BOLT, UNION	2				
20	90201-10118	WASHER, PLATE	4				



B631422-S260

FIG. 26 STAND & FOOTREST

REF. NO.	PART NO.	DESCRIPTION	BC37	REMARKS
1	B65-F7111-00	STAND, MAIN	1	
2	2PH-F7112-00	SHAFT, MAIN STAND	1	
3	99002-09600	CIRCLIP	1	
4	5VW-F7214-00	STOPPER	2	
5	90506-40804	SPRING, TENSION	1	
6	5LW-F7254-00	HOOK	1	
7	B65-F7311-00	STAND, SIDE	1	
8	B65-F7217-00	BOLT	1	
9	95602-10200	NUT, S/L FLANGE	1	
10	90506-20818	SPRING, TENSION	1	
11	5VW-F7214-00	STOPPER	1	
12	B65-F7481-00	BOARD, FOOTREST	1	
13	90480-01559	GROMMET	1	
14	90119-06044	BOLT, WITH WASHER	2	
15	90109-06220	BOLT	1	
16	97707-50016	SCREW, TRUSS HEAD TAPPING	5	
17	90183-05807	NUT, SPRING	1	
18	B65-F7488-00	BOARD, FOOTREST 2	1	
19	2DP-F172W-00	COVER	1	
20	90480-01559	GROMMET	1	
21	90119-06044	BOLT, WITH WASHER	2	
22	90109-06220	BOLT	1	
23	97707-50016	SCREW, TRUSS HEAD TAPPING	5	
24	90183-05807	NUT, SPRING	1	
25	B65-F171L-00	MOLE, SIDE COVER 1	1	
26	90269-06816	RIVET	3	
27	90183-05807	NUT, SPRING	4	

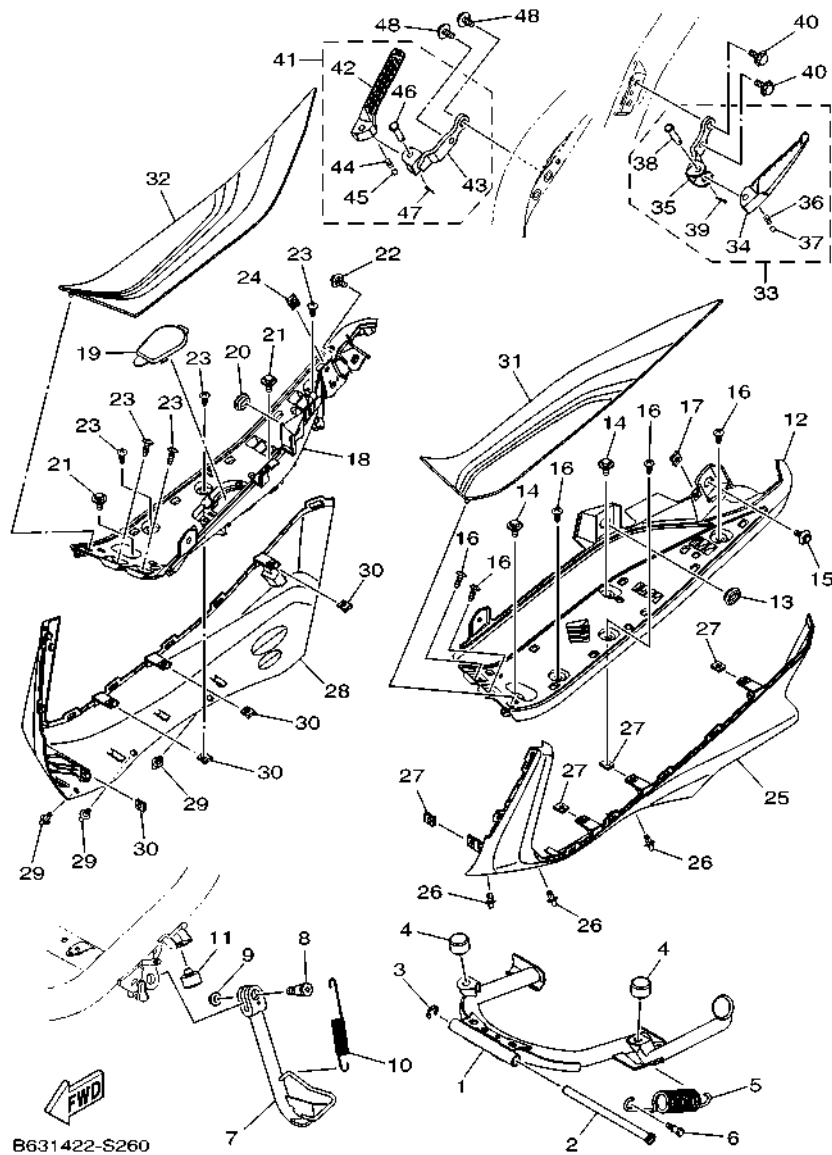


FIG. 26 STAND & FOOTREST

REF. NO.	PART NO.	DESCRIPTION	BC37	REMARKS
28	B65-F171M-00	MOLE, SIDE COVER 2	1	
29	90269-06816	RIVET	3	
30	90183-05807	NUT, SPRING	4	
31	B65-F7483-00	MAT 1	1	
32	B65-F7484-00	MAT 2	1	
33	B65-F7430-00	REAR FOOTREST ASSY 1	1	
34	B65-F7431-00	.FOOTREST, REAR 1	1	
35	B65-F7452-00	.BRACKET, FOOTREST 1	1	
36	90501-12743	.SPRING, COMPRESSION	1	
37	93501-04830	.BALL	1	
38	91701-08035	.PIN	1	
39	91401-25015	.PIN, COTTER	1	
40	95D32-08020	BOLT, FLANGE DEEP RECESS	2	
41	B65-F7440-00	REAR FOOTREST ASSY 2	1	
42	B65-F7441-00	.FOOTREST, REAR 2	1	
43	B65-F7462-00	.BRACKET, FOOTREST 2	1	
44	90501-12743	.SPRING, COMPRESSION	1	
45	93501-04830	.BALL	1	
46	91701-08035	.PIN	1	
47	91401-25015	.PIN, COTTER	1	
48	95D32-08020	BOLT, FLANGE DEEP RECESS	2	

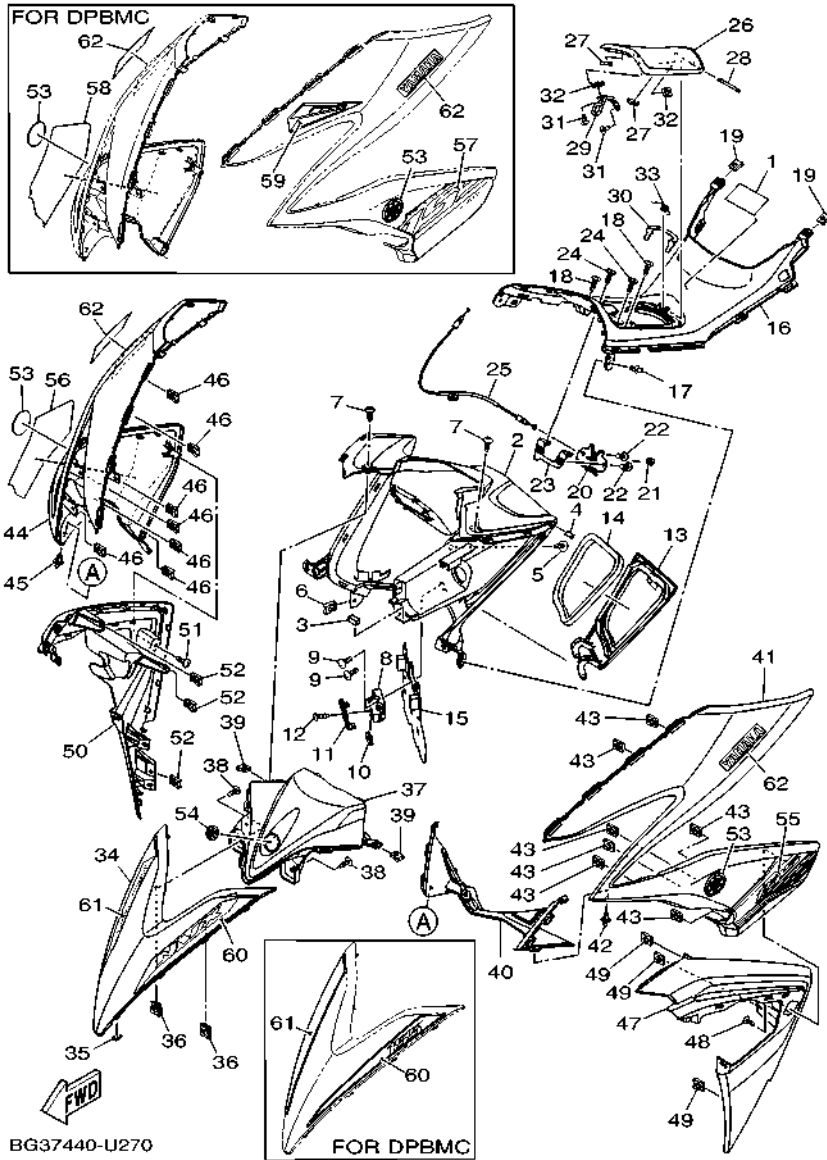


FIG. 27 LEG SHIELD

REF. NO.	PART NO.	DESCRIPTION	BG37	REMARKS
1	BG3-F1568-00	LABEL, WARNING	1	
2	B65-F8311-00	LEG SHIELD 1	1	
3	90520-10839	DAMPER, PLATE	1	
4	4HC-24618-00	PLATE, LOCK 3	1	
5	90159-06810	SCREW, WITH WASHER	1	
6	90183-05807	NUT, SPRING	1	
7	97707-50016	SCREW, TRUSS HEAD TAPPING	2	
8	B65-F8321-00	STAY 1	1	
9	90160-05012	SCREW, ROUND TAPPING	2	
10	90183-05807	NUT, SPRING	1	
11	B65-F1796-00	HINGE	1	
12	97707-50016	SCREW, TRUSS HEAD TAPPING	1	
13	B65-F177E-00	LID	1	
14	90520-03831	DAMPER, PLATE	1	
15	B65-F179E-00	BAND	1	
16	B65-F842M-00	COVER 1	1	
17	90269-06816	RIVET	1	
18	97707-50016	SCREW, TRUSS HEAD TAPPING	2	
19	90183-05807	NUT, SPRING	2	
20	40D-F4780-01	SEAT LOCK ASSY	1	
21	1S8-F4768-00	STOPPER	1	
22	95022-06012	BOLT, FLANGE	2	
23	B65-F8357-00	STAY 2	1	
24	90149-05804	SCREW	2	
25	B65-F4494-00	WIRE, PULL	1	
26	B65-F74A8-00	LID, FUEL	1	
27	90520-06810	DAMPER, PLATE	2	

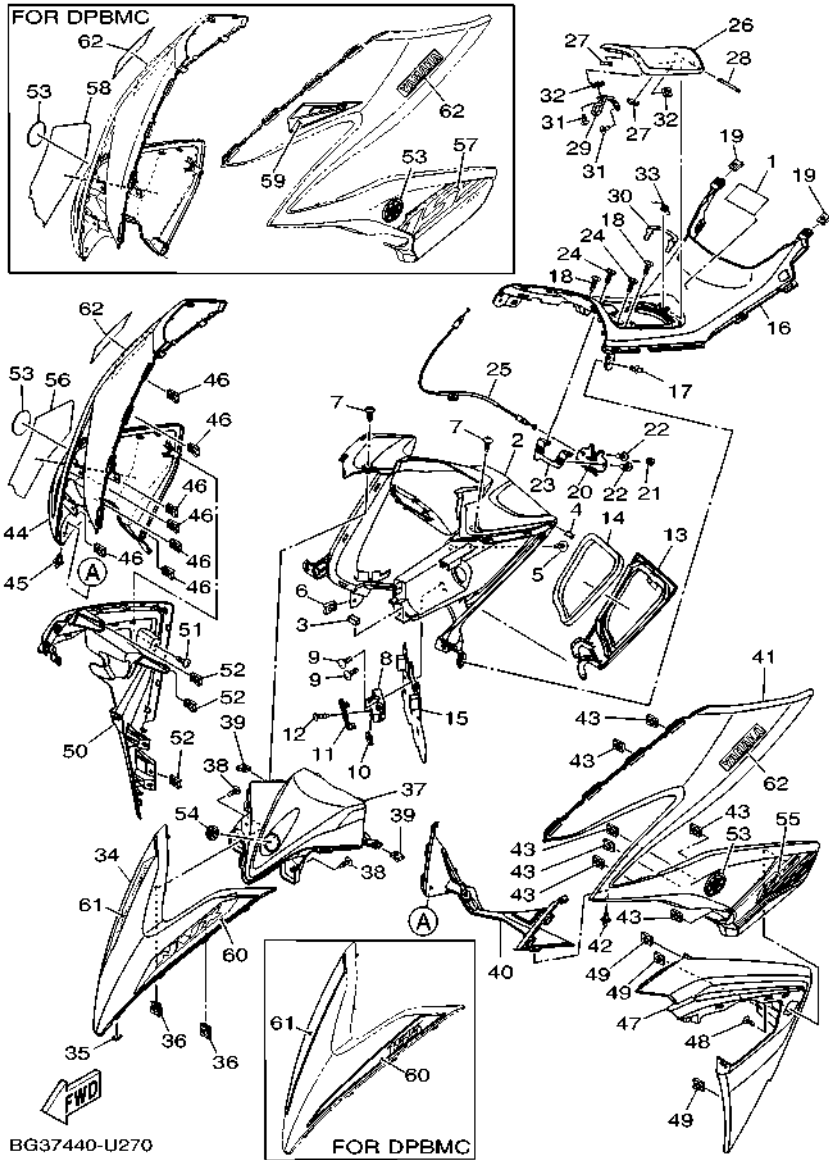
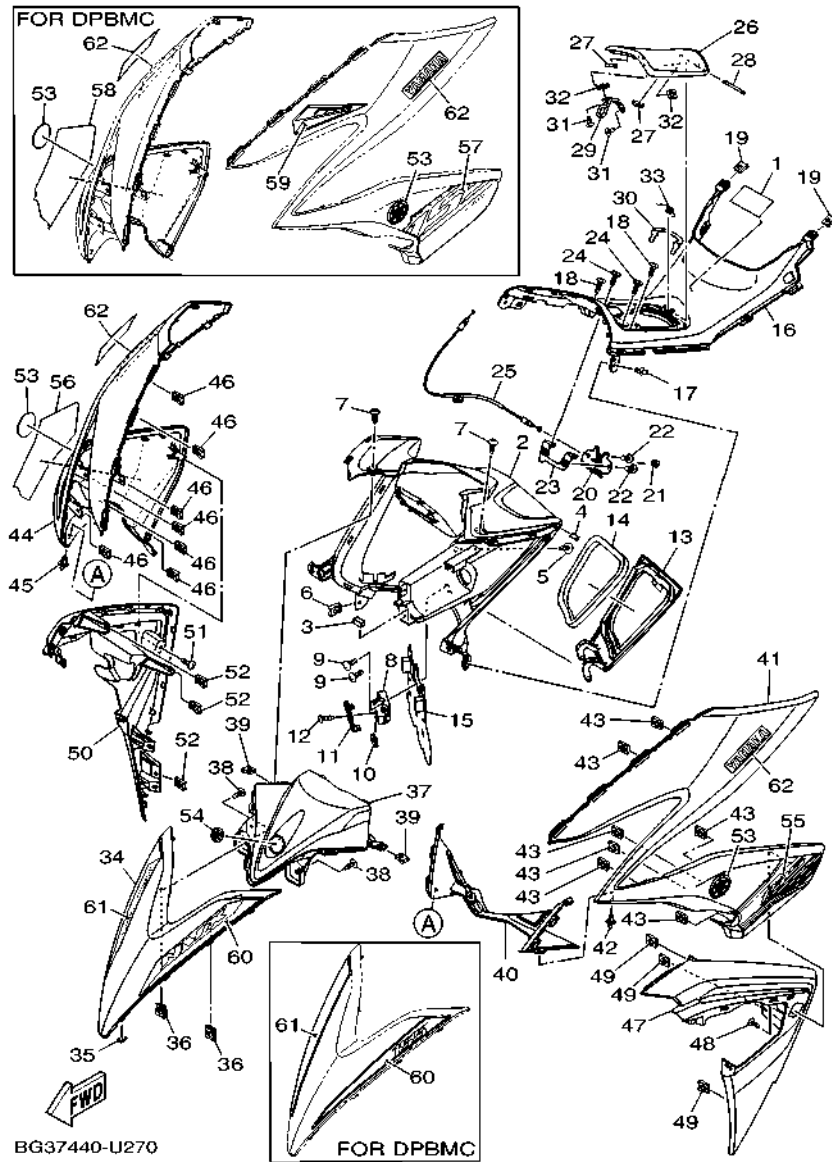


FIG. 27 LEG SHIELD

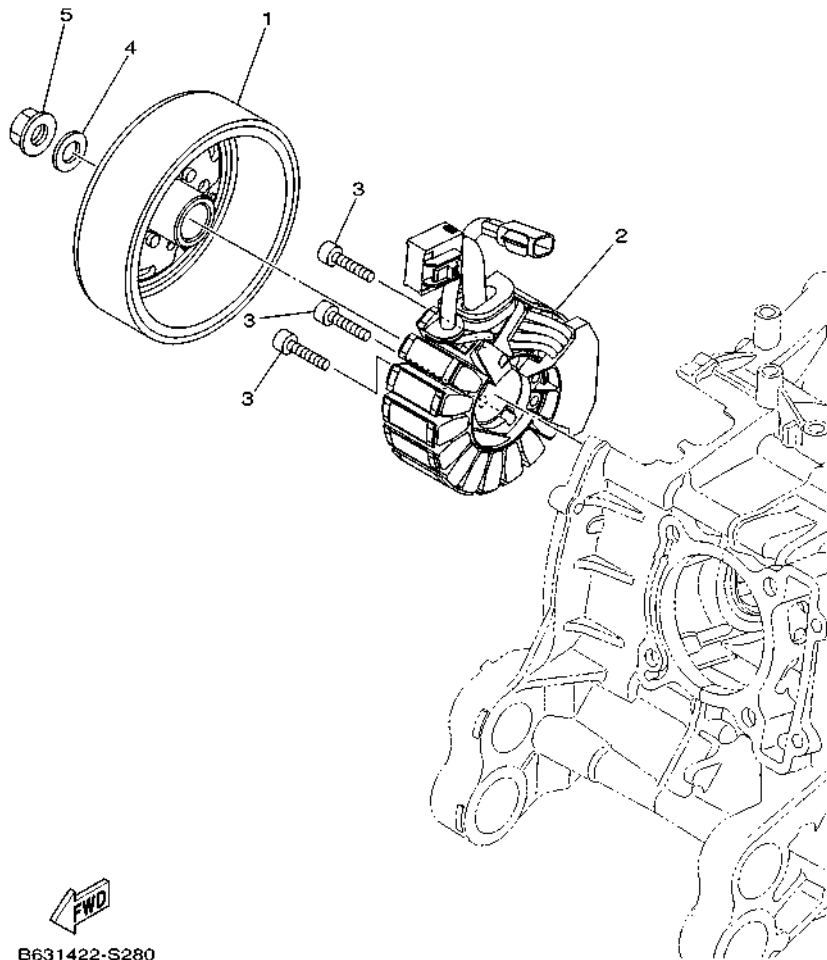
REF. NO.	PART NO.	DESCRIPTION	BG37	REMARKS
28	B65-F818A-00	PIN	1	
29	B65-F131C-00	BAR LOCK	1	
30	B65-F8227-00	DAMPER 2	1	
31	97707-50012	SCREW, TRUSS HEAD TAPPING	2	
32	90183-05807	NUT, SPRING	2	
33	B65-F7426-00	SPRING, RETURN	1	
34	BG3-F2865-00-P0	COVER, FRONT	1	UR MBL2 FOR RM7
	BG3-F2865-00-P2	COVER, FRONT	1	UR RYC1 FOR MNM3
	BG3-F2865-00-P1	COVER, FRONT	1	UR FOR DPBMC
35	90520-02005	DAMPER, PLATE	1	
36	90183-05807	NUT, SPRING	2	
37	B65-F842N-00	COVER 2	1	
38	97707-50016	SCREW, TRUSS HEAD TAPPING	2	
39	90183-05807	NUT, SPRING	2	
40	B65-F286F-00	COVER, FRONT 2	1	
41	BG3-F8351-00-P3	BODY, COWLING	1	UR FOR RM7
	BG3-F8351-00-P4	BODY, COWLING	1	UR FOR MNM3
	BG3-F8351-00-P1	BODY, COWLING	1	UR FOR DPBMC
42	90269-06816	RIVET	1	
43	90183-05807	NUT, SPRING	7	
44	BG3-F8377-00-P3	BODY, COWLING 2	1	UR FOR RM7
	BG3-F8377-00-P4	BODY, COWLING 2	1	UR FOR MNM3
	BG3-F8377-00-P1	BODY, COWLING 2	1	UR FOR DPBMC
45	90269-06816	RIVET	1	
46	90183-05807	NUT, SPRING	7	
47	B65-F835U-00	PANEL 1	1	
48	97707-50016	SCREW, TRUSS HEAD TAPPING	1	

FIG. 27 LEG SHIELD



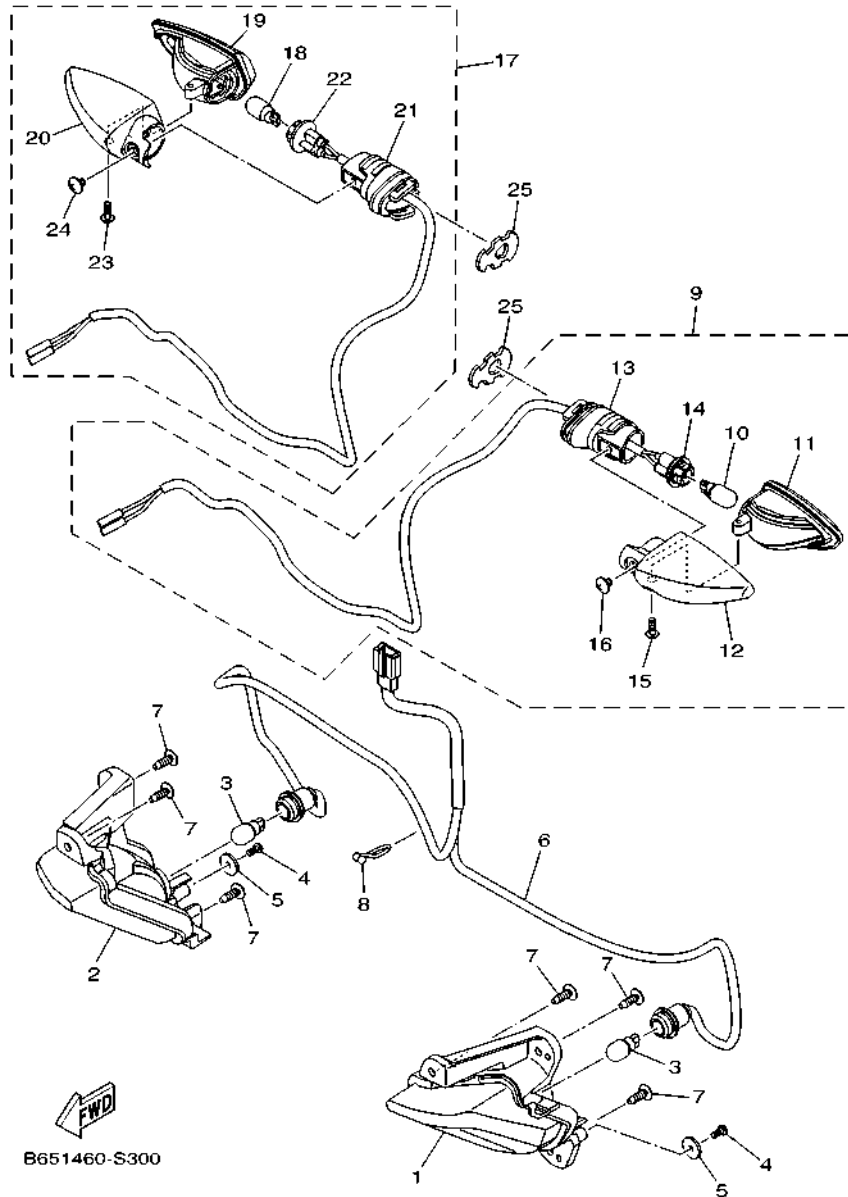
REF. NO.	PART NO.	DESCRIPTION	BG37	REMARKS
49	90183-05807	NUT, SPRING	3	
50	B65-F835V-00	PANEL 2	1	
51	97707-50016	SCREW, TRUSS HEAD TAPPING	1	
52	90183-05807	NUT, SPRING	3	
53	5P2-F839B-00	EMBLEM 3D	2	
54	5P2-F1737-00	EMBLEM	1	
55	BG3-F8391-40	GRAPHIC 1	1	UR FOR RM7
	BG3-F8391-50	GRAPHIC 1	1	UR FOR MNM3
56	BG3-F8392-40	GRAPHIC 2	1	UR FOR RM7
	BG3-F8392-50	GRAPHIC 2	1	UR FOR MNM3
57	BG3-F8393-40	GRAPHIC 3	1	FOR DPBMC
58	BG3-F8394-20	GRAPHIC 4	1	FOR DPBMC
59	BG3-F8398-20	GRAPHIC 5	1	FOR DPBMC
60	BG3-F839F-00	GRAPHIC 9	1	UR FOR RM7
	BG3-F839F-10	GRAPHIC 9	1	UR FOR MNM3
	BG3-F839A-10	GRAPHIC 7	1	UR FOR DPBMC
61	BG3-F839G-00	GRAPHIC 10	1	UR FOR RM7
	BG3-F839G-10	GRAPHIC 10	1	UR FOR MNM3
	BG3-F839E-10	GRAPHIC 8	1	UR FOR DPBMC
62	99234-00080	EMBLEM, YAMAHA	2	UR FOR RM7, MNM3
	99231-00080	EMBLEM, YAMAHA	2	UR FOR DPBMC

FIG. 28 GENERATOR



B631422-S280

REF. NO.	PART NO.	DESCRIPTION	BG37				REMARKS
1	B63-H1450-00	ROTOR ASSY	1				
2	B63-H1410-00	STATOR ASSY	1				
3	90110-06880	BOLT, HEXAGON SOCKET HEAD	3				
4	90201-12688	WASHER, PLATE	1				
5	90179-12004	NUT	1				



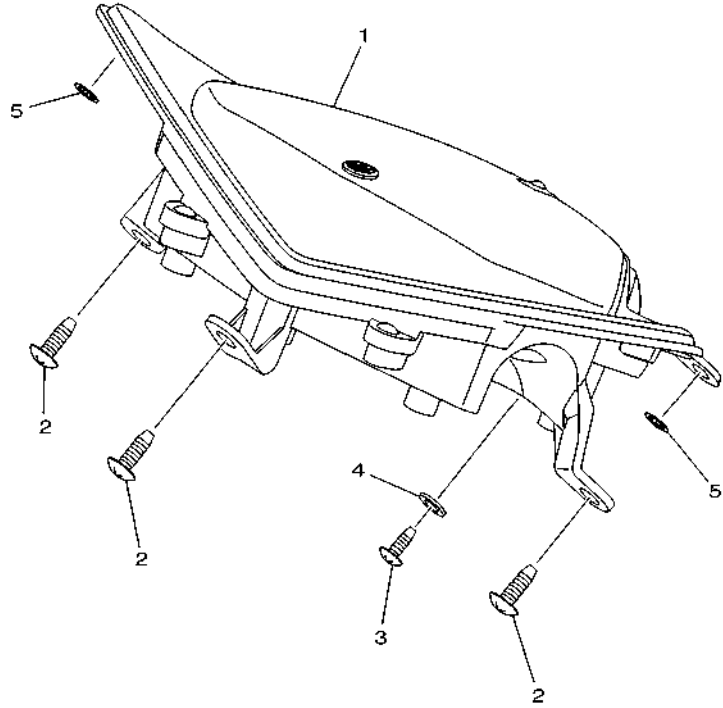
B651460-S300

FIG. 29 FLASHER LIGHT

REF. NO.	PART NO.	DESCRIPTION	BG37	REMARKS
1	B63-H3310-00	FRONT FLASHER LIGHT ASSY 1	1	
2	B63-H3320-00	FRONT FLASHER LIGHT ASSY 2	1	
3	2CB-H3311-00	BULB, FLASHER (12V-10W)	2	
4	97702-40612	SCREW, TAPPING	2	
5	1PB-H4127-00	WASHER, SPECIAL	2	
6	B63-H331E-00	CORD ASSY	1	
7	97707-50016	SCREW, TRUSS HEAD TAPPING	6	
8	90464-15804	CLAMP	1	
9	BG3-H3330-00	REAR FLASHER LIGHT ASSY 1	1	
10	55D-H3311-00	.BULB, FLASHER (12V-10W)	1	
11	55D-H333A-00	.LENS COMP 1	1	
12	55D-H3323-00	.BODY	1	
13	55D-H3328-00	.STAY, FLASHER 2	1	
14	BG3-H333E-00	.CORD ASSY	1	
15	55D-H3333-00	.SCREW, LENS FITTING	1	
16	55D-H3358-00	.SCREW, SPECIAL	1	
17	BG3-H3340-00	REAR FLASHER LIGHT ASSY 2	1	
18	55D-H3311-00	.BULB, FLASHER (12V-10W)	1	
19	55D-H334A-00	.LENS COMP 2	1	
20	55D-H332M-00	.BODY 2	1	
21	55D-H3328-00	.STAY, FLASHER 2	1	
22	BG3-H334E-00	.CORD ASSY	1	
23	55D-H3333-00	.SCREW, LENS FITTING	1	
24	55D-H3358-00	.SCREW, SPECIAL	1	
25	1VP-H3318-00	STAY, FLASHER 1	2	

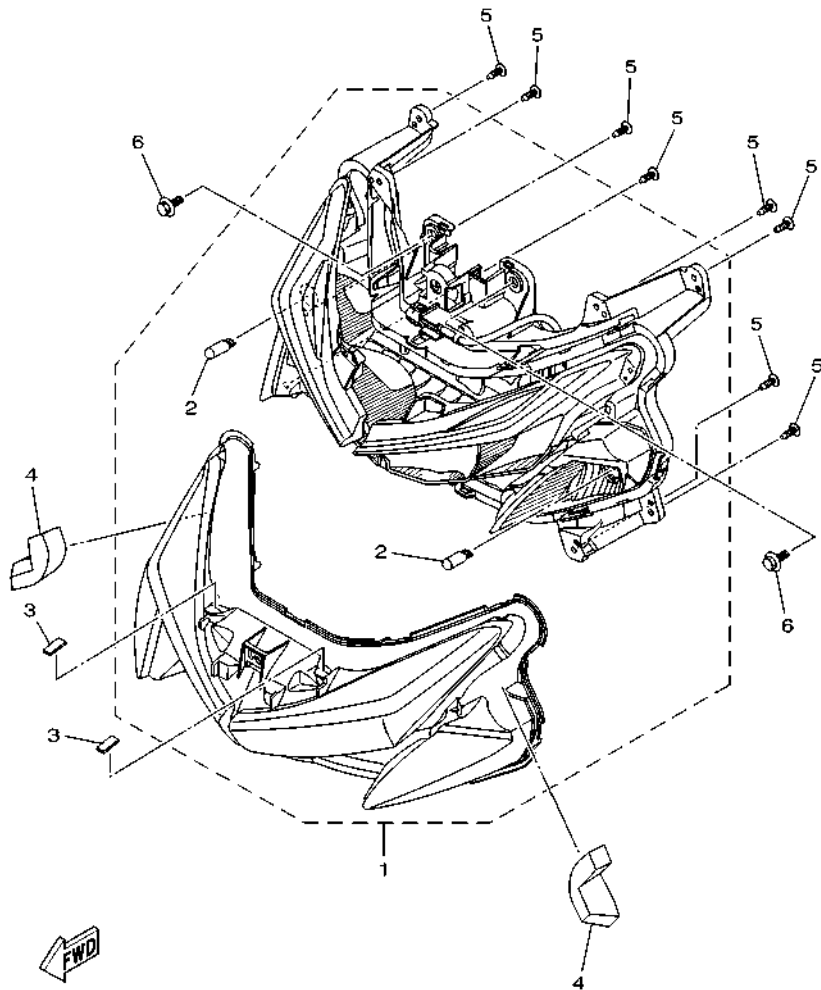
FIG. 30 METER

REF. NO.	PART NO.	DESCRIPTION	BG37				REMARKS
1	B65-H3500-21	METER ASSY	1				
2	97702-50016	SCREW, TAPPING	3				
3	97707-40012	SCREW, TAPPING	1				
4	90201-04803	WASHER, PLATE	1				
5	90183-05801	NUT, SPRING	2				



← FWD
BF61431-S310

FIG. 31 HEADLIGHT



B631422-S310

REF. NO.	PART NO.	DESCRIPTION	QTY	REMARKS
1	B63-H4300-00	HEADLIGHT ASSY	1	
2	31B-H5353-00	.BULB (12V-5W)	2	
3	90520-02014	DAMPER, PLATE	2	
4	1S7-F6113-00	DAMPER	2	
5	97707-50016	SCREW, TRUSS HEAD TAPPING	8	
6	90109-06220	BOLT	2	

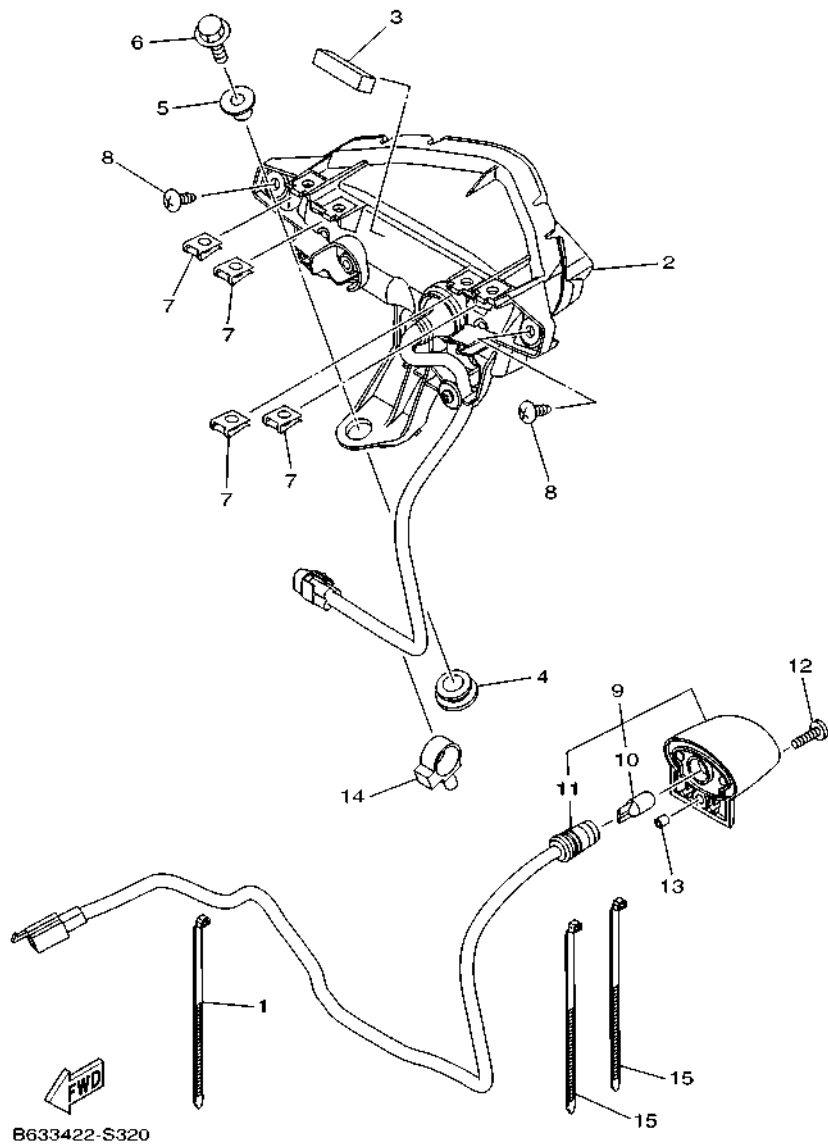
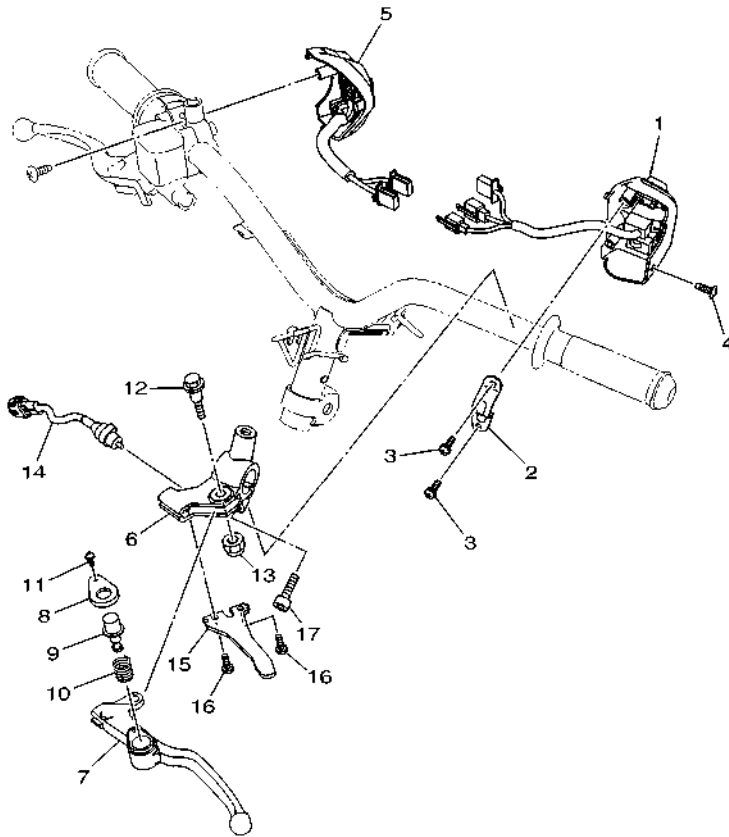


FIG. 32 TAILLIGHT

REF. NO.	PART NO.	DESCRIPTION	BG37	REMARKS
1	90464-50800	CLAMP	1	
2	B65-H4710-00	TAILLIGHT UNIT ASSY	1	
3	90520-10834	DAMPER, PLATE	1	
4	90480-14823	GROMMET	1	
5	90387-068G3	COLLAR	1	
6	95D32-06020	BOLT, FLANGE DEEP RECESS	1	
7	90183-05807	NUT, SPRING	4	
8	97707-50016	SCREW, TRUSS HEAD TAPPING	2	
9	B63-H4740-00	LICENCE LIGHT ASSY	1	
10	1CK-H4744-00	.BULB (12V-W5W)	1	
11	1WD-H4547-00	.CORD, LICENCE LIGHT	1	
12	98907-04014	SCREW, BIND	1	
13	90445-05004	HOSE	1	
14	90464-16006	CLAMP	1	
15	90464-50800	CLAMP	2	

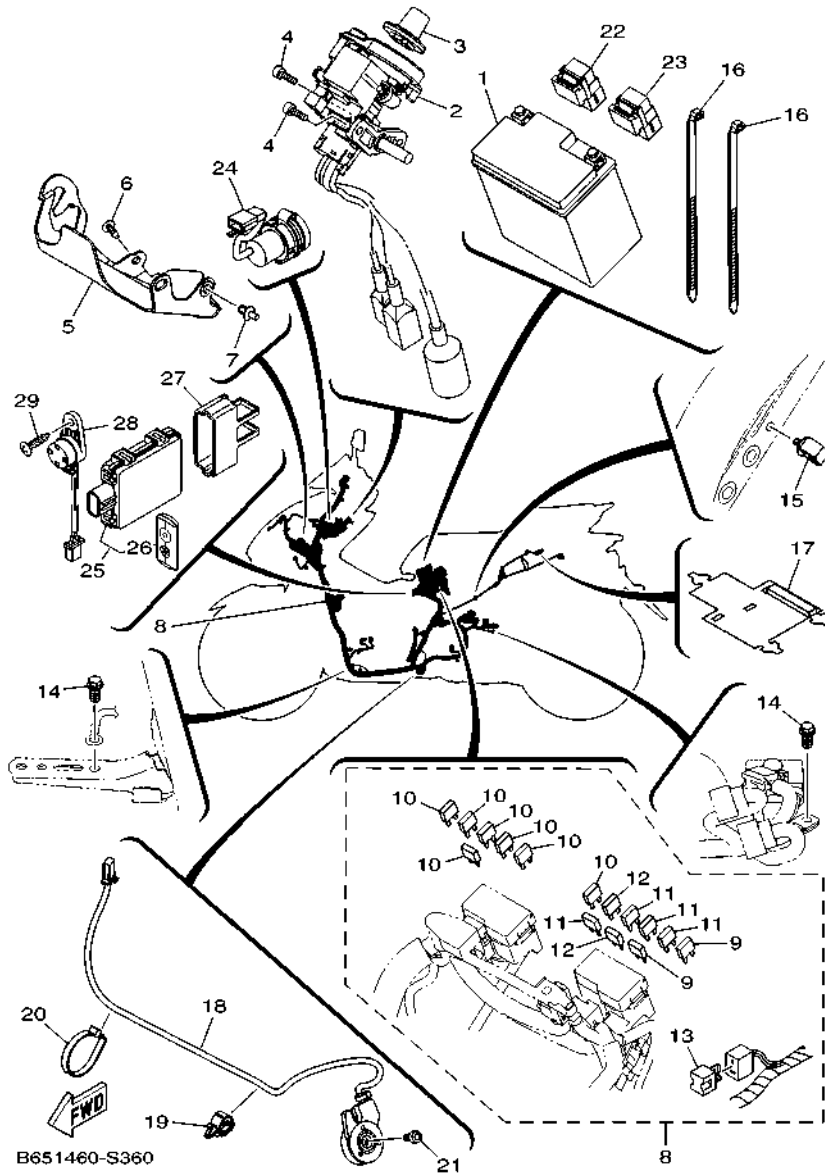


BG33440-S330

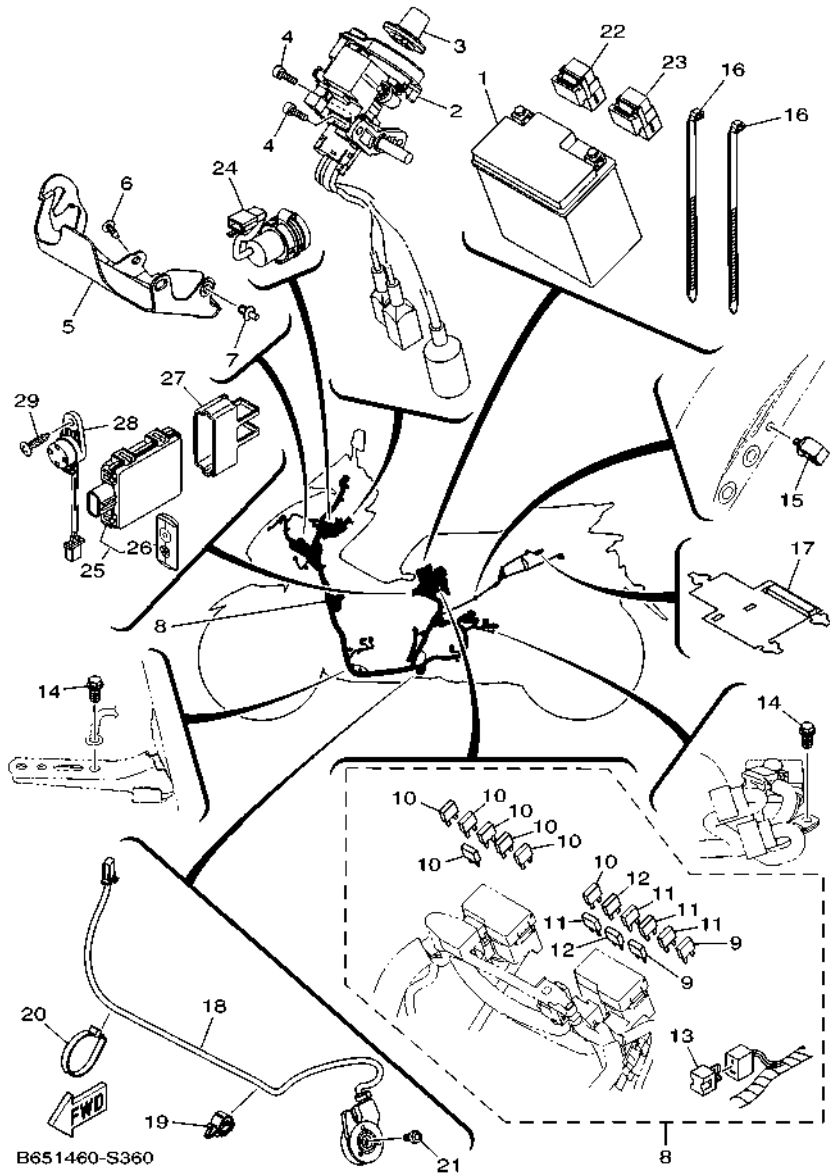
FIG. 33 HANDLE SWITCH & LEVER

REF. NO.	PART NO.	DESCRIPTION	BG37				REMARKS
1	B65-H3973-10	SWITCH, HANDLE 3	1				
2	5TL-H3955-20	BRACKET 1	1				
3	97602-05216	SCREW, PAN HEAD WITH WASHER	2				
4	97707-50016	SCREW, TRUSS HEAD TAPPING	1				
5	BN1-H3975-10	SWITCH, HANDLE 2	1				
6	1LB-H2911-10	HOLDER, LEVER 1	1				
7	1LB-H3912-00	LEVER 1	1				
8	1LB-H3935-00	COVER	1				
9	1LB-H3967-00	PIN, LOCK 1	1				
10	40D-H3962-00	SPRING	1				
11	40D-H396X-00	SCREW, LEVER FITTING	1				
12	90109-06814	BOLT	1				
13	95607-06100	NUT, SELF-LOCKING	1				
14	40D-H3980-20	FRONT STOP SWITCH ASSY	1				
15	1LB-H2556-00	DAMPER, STOPPER	1				
16	98502-05010	SCREW, PAN HEAD	2				
17	91317-06020	BOLT, HEX. SOCKET HEAD	1				

FIG. 34 ELECTRICAL 1



REF. NO.	PART NO.	DESCRIPTION	BG37				REMARKS
1	BC1-H2100-00	BATTERY ASSY (YUASA YTZ7V)	1				
2	BG3-H2501-00	MAIN SWITCH STEERING LOCK	1				
3	B65-H276E-01	KNOB COMP.	1				
4	90111-06162	BOLT,HEX. SOCKET BUTTON	2				
5	B65-H2568-00	COVER, MAIN SWITCH	1				
6	97707-50016	SCREW, TRUSS HEAD TAPPING	1				
7	90269-06816	RIVET	1				
8	B65-H2590-11	WIRE HARNESS ASSY	1				
9	B65-H2151-60	.FUSE (30A)	2				
10	B65-H2151-00	.FUSE (7.5A)	7				
11	B65-H2151-80	.FUSE (2A)	4				
12	1LB-H2151-00	.FUSE (10A)	2				
13	3WP-81980-00	.DIODE ASSY	1				
14	95022-06012	BOLT, FLANGE	2				
15	90464-13249	CLAMP	1				
16	90464-50800	CLAMP	2				
17	B65-H7229-01	BAND	1				
18	B65-H2566-01	SWITCH, SIDE STAND	1				
19	90464-13249	CLAMP	1				
20	90464-50800	CLAMP	1				
21	90110-06881	BOLT, HEXAGON SOCKET HEAD	1				
22	B63-H1950-00	RELAY ASSY	1				
23	2PH-H1940-01	STARTER RELAY ASSY	1				
24	BB8-H254B-00	TERMINAL COMP.	1				
25	B74-H6260-04	REMOTE CONTROL UNIT ASSY	1				
26	B74-H6261-02	.XMTR. COMP.	1				
27	B65-H5546-00	BAND	1				

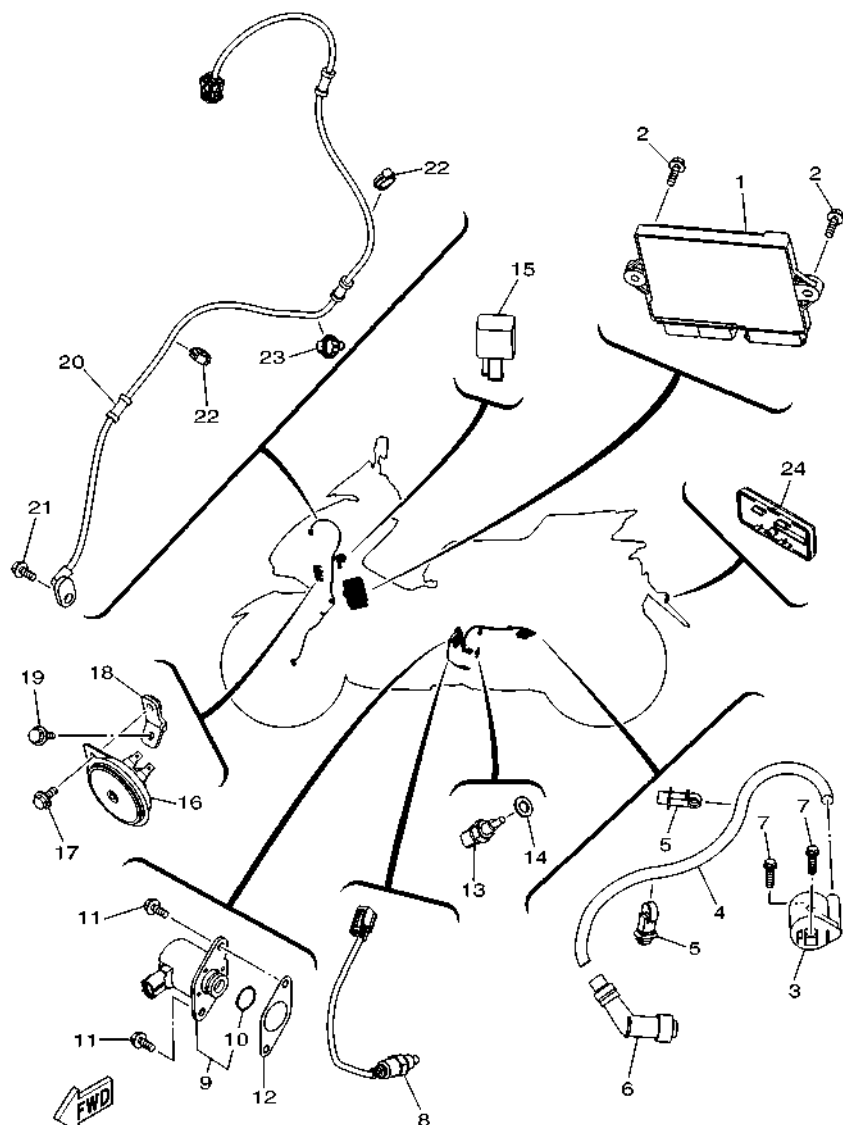


B651460-S360

FIG. 34 ELECTRICAL 1

REF. NO.	PART NO.	DESCRIPTION	EG37	REMARKS
28	B3F-H3383-00	BUZZER	1	
29	97707-50016	SCREW, TRUSS HEAD TAPPING	1	

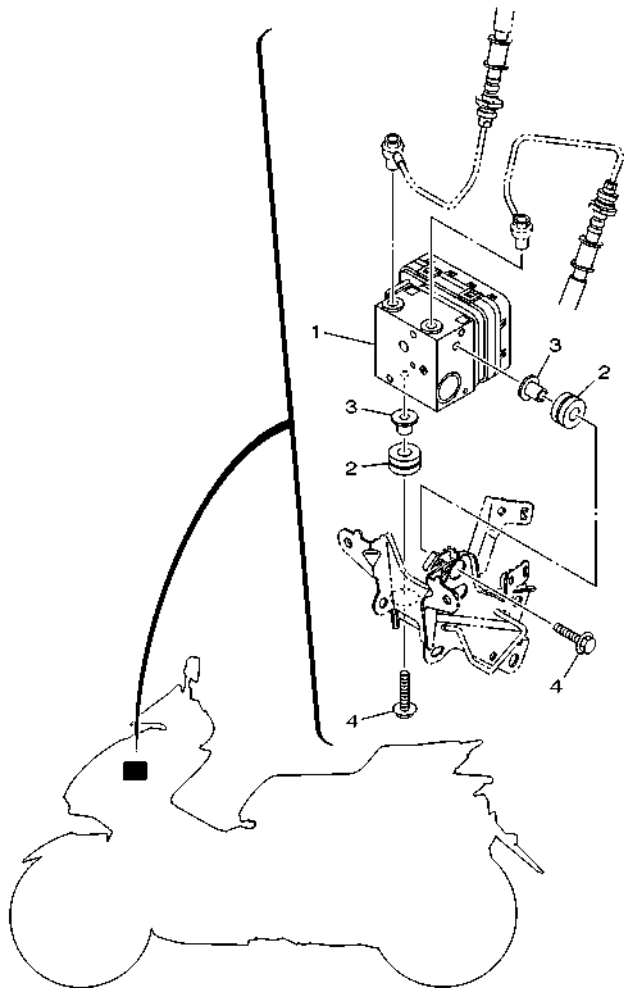
FIG. 35 ELECTRICAL 2



B631422-S350

REF. NO.	PART NO.	DESCRIPTION	EG37				REMARKS
1	B63-H594A-11	STARTER GEN. CONT. UNIT ASSY	1				
2	95D32-06020	BOLT, FLANGE DEEP RECESS	2				
3	B65-H2310-00	IGNITION COIL ASSY	1				
4	B65-H2351-00	TUBE, CORD	1				
5	90464-14809	CLAMP	2				
6	2DP-H2370-00	PLUG CAP ASSY	1				
7	95022-06020	BOLT, FLANGE	2				
8	2BM-H592A-10	SENSOR, OXYGEN	1				
9	BB8-H6110-01	SOLENOID	1				
10	2DP-H1847-00	.O-RING	1				
11	95D32-06016	BOLT, FLANGE DEEP RECESS	2				
12	2DP-H1861-00	GASKET	1				
13	54P-H3591-00	THERMO UNIT	1				
14	90430-10804	GASKET	1				
15	1PA-H3350-00	FLASHER RELAY ASSY	1				
16	2DP-H3371-00	HORN	1				
17	95D02-06012	BOLT, FLANGE DEEP RECESS	1				
18	B65-H3378-00	STAY, HORN	1				
19	95D02-06012	BOLT, FLANGE DEEP RECESS	1				
20	B63-H5970-00	WHEEL SENSOR ASSY, FRONT	1				
21	95D32-06016	BOLT, FLANGE DEEP RECESS	1				
22	90464-14803	CLAMP	2				
23	90464-14810	CLAMP	1				
24	55D-H5130-00	REAR REFLECTOR ASSY	1				

FIG. 36 ELECTRICAL 3




B633422-S360

REF. NO.	PART NO.	DESCRIPTION	BC37				REMARKS
1	B63-H5930-09	HYDRAULIC UNIT ASSY	1				
2	90480-14816	GROMMET	2				
3	90387-068N8	COLLAR	2				
4	95817-06020	BOLT, FLANGE	2				

NUMERICAL INDEX

PART NO.	REF. NO.	PART NO.	REF. NO.	PART NO.	REF. NO.	PART NO.	REF. NO.	PART NO.	REF. NO.	PART NO.	REF. NO.
52S-12439-00	6 - 2	2DP-E2279-00	3 - 12	B65-E4452-01	8 - 26	44D-E7653-00	12 - 4	BG3-F173E-50	16 - 41	B63-F3141-00	18 - 29
4HC-24618-00	27 - 4	B63-E2280-00	4 - 4	B65-E4453-00	8 - 24	2DP-E7660-00	12 - 9	BG3-F173F-40	16 - 42	5LM-F3144-00	18 - 6
3RW-25889-00	25 - 4	2DP-E2288-00	4 - 5	2DP-E4613-00	9 - 4	B74-E7664-00	12 - 13	BG3-F173F-50	16 - 42		18 - 22
36Y-2589H-00	25 - 6	2DP-E240A-00	6 - 4	B65-E4711-00	9 - 1	2DP-E7668-00	12 - 17	BG3-F1741-00-P0	16 - 12	3AY-F3145-00	18 - 4
3WP-81980-00	34 - 13	2DP-E2410-00	6 - 1	B65-E4718-00	9 - 2	B65-E7670-00	12 - 10	BG3-F1741-00-P2	16 - 12		18 - 20
B65-E1102-00	1 - 1	2DP-E2422-01	5 - 1	B65-E5150-00	10 - 1	2DP-E7674-00	12 - 5	BG3-F1741-00-P3	16 - 12	2JG-F3147-00	18 - 15
2DP-E111F-00	3 - 18	2DP-E2428-00	5 - 3	B65-E5199-00	10 - 18	2DP-E7674-10	12 - 14	BG3-F174G-30	16 - 43		18 - 31
2DP-E1133-10	1 - 2	2DP-E2450-00	5 - 5	B65-E5316-00	11 - 14	2DP-E7678-00	12 - 18	BG3-F174G-40	16 - 43	5LM-F3152-00	18 - 9
2DP-E1165-00	1 - 8	B65-E2467-00	6 - 23	B65-E5326-00	11 - 15	2DP-E7678-10	12 - 20	BG3-F174H-30	16 - 44		18 - 25
B65-E1166-00	8 - 40	B65-E2481-00	6 - 14	B65-E5335-00	11 - 16	B65-E7683-00	12 - 15	BG3-F174H-40	16 - 44	31B-F3153-00	18 - 16
2DP-E1169-00	1 - 9	B65-E2482-00	6 - 15	B65-E5337-00	11 - 17	2DP-E7684-00	12 - 16	BG3-F174J-40	16 - 45		18 - 32
2DP-E1181-00	1 - 21	B65-E2483-00	6 - 16	54P-E5351-00	7 - 3	B65-F1110-00	14 - 1	BG3-F174K-40	16 - 46	5P0-F3156-00	18 - 5
BT3-E1185-01	5 - 4	5P0-E2590-00	6 - 5	2DP-E5362-00	10 - 14	B65-F113B-00	14 - 11	B65-F177E-00	27 - 13		18 - 21
2DP-E1191-00	1 - 7	B65-E2611-00	6 - 25	5LW-E5363-00	10 - 16	B65-F117G-00	14 - 8	BG3-F1781-30	16 - 47	2JG-F3157-00	18 - 10
BB8-E1193-00	1 - 15	5ST-E2615-00	6 - 6	5LW-E5371-01	10 - 30	B65-F117K-00	15 - 20	BG3-F1781-40	16 - 47		18 - 26
4YS-E1198-00	10 - 11	B65-E2621-00	6 - 17		11 - 5	B65-F131C-00	27 - 29	BG3-F1783-00	16 - 48	2BU-F3158-00	18 - 11
2DP-E1311-10	1 - 25	5ST-E2843-00	6 - 7	B65-E5373-00	10 - 31	B65-F1410-00	14 - 6	B65-F179E-00	27 - 11		18 - 27
2DP-E132G-00	1 - 13	B65-E3300-01	7 - 1	2DP-E5407-00	11 - 11	B65-F1511-00	15 - 1	B65-F179E-00	27 - 15	B65-F315H-00	18 - 17
B65-E1351-00	1 - 26	54P-E3411-00	7 - 4	B65-E5411-00	11 - 1	B65-F1521-00	14 - 28	B65-F1816-00	16 - 34	B65-F315J-00	18 - 33
BB8-E1391-00	1 - 18	2DP-E3556-00	8 - 14	B65-E5421-00	10 - 26	B65-F1552-00	15 - 6	B65-F1817-00	16 - 35	B65-F3170-10	18 - 8
BB8-E1392-00	1 - 19	B65-E3585-00	8 - 1	B65-E5423-00	10 - 20	BG3-F1556-00-P1	15 - 2	B65-F1871-00	16 - 29		18 - 24
B65-E1400-00	2 - 1	B65-E3750-00	8 - 15	B65-E5431-00	11 - 8	BG3-F1556-00-P3	15 - 2	1S7-F1875-01	16 - 33	278-F3181-50	18 - 12
B63-E1603-00	2 - 9	BB8-E3761-00	8 - 8	B65-E5451-00	11 - 2	BG3-F1556-00-P4	15 - 2	B65-F2141-00	14 - 12		18 - 28
2DP-E1631-00	2 - 6	5LW-E3769-00	10 - 15	B65-E5461-00	10 - 27	BG3-F1568-00	27 - 1	B65-F2171-00	17 - 1	B65-F3340-00	18 - 34
2DP-E1633-00	2 - 7	BB8-E3770-00	8 - 7	B65-E5472-00	11 - 10	B65-F1611-00	15 - 9	B63-F2210-30	17 - 10	4D0-F3346-00	18 - 37
2DP-E1651-00	2 - 4	B65-E3907-10	19 - 5	2DP-E5474-00	11 - 13	B65-F1621-00	20 - 17	4D1-F2216-00	10 - 5	4RT-F3411-10	18 - 40
B63-E1681-00	2 - 2	54P-E3938-00	8 - 11	2DP-E5481-00	11 - 12	B65-F162R-10	15 - 14		17 - 2	4RT-F3412-10	18 - 39
2DP-E2111-00	3 - 1	B65-E3971-00	19 - 4	2DP-E5495-00	11 - 9	B17-F1668-00	20 - 35	5MX-F2216-00	10 - 5	5TL-F3416-00	18 - 42
B63-E2113-00	3 - 4	54P-E4137-00	8 - 12	2DP-E5744-00	12 - 19	B65-F1711-00	16 - 1		17 - 2	1PA-F3418-00	18 - 45
2DP-E2117-00	3 - 6	B65-E4146-00	8 - 5	B65-E6111-00	13 - 9	BG3-F171E-00-P2	16 - 21	BG3-F221A-10	17 - 11	1P6-F341E-10	18 - 41
5TL-E2118-00	3 - 5	54P-E4147-00	8 - 9	B65-E6111-10	13 - 9	BG3-F171E-00-P3	16 - 21	BG3-F221B-10	17 - 16	B63-F3462-00	18 - 35
54P-E2119-00	3 - 3	5CA-E4147-00	8 - 10	B65-E6611-00	12 - 21	BG3-F171E-00-P4	16 - 21	BG3-F2865-00-P0	27 - 34	B65-F384L-00	20 - 13
2DP-E2121-00	3 - 2	54P-E416A-00	8 - 19	B65-E6620-00	12 - 7	B65-F171L-00	26 - 25	BG3-F2865-00-P1	27 - 34	2TD-F3873-00	18 - 38
50C-E2126-00	3 - 7	B65-E4199-00	8 - 2	B65-E6626-00	12 - 8	B65-F171M-00	26 - 28	BG3-F2865-00-P2	27 - 34	2TD-F3875-00	18 - 36
2DP-E2150-00	3 - 8	54P-E4243-00	8 - 17	B65-E7211-00	13 - 4	B65-F171N-00	16 - 15	B65-F286F-00	27 - 40	B65-F4110-00	19 - 1
45P-E2156-00	3 - 16	54P-E4335-00	8 - 18	B65-E7211-10	13 - 4	B65-F171R-00	16 - 18	B65-F2957-00	16 - 37	B65-F414A-00	19 - 12
5YP-E2157-00	4 - 6	B65-E4346-00	8 - 6	B65-E7410-00	13 - 1	BG3-F171X-00-P2	16 - 23	B65-F3100-10	18 - 1	5D9-F414G-00	14 - 2
33S-E2159-01	3 - 9	B65-E4411-00	8 - 21	B65-E7410-10	13 - 1	BG3-F171X-00-P3	16 - 23	B65-F3102-10	18 - 2	54P-F414G-10	19 - 7
		B65-E4412-00	8 - 22	B65-E7410-20	13 - 1	BG3-F171X-00-P4	16 - 23	B65-F3103-10	18 - 18	5D9-F414G-10	14 - 3
2DP-E2160-00	3 - 13	B65-E4417-00	8 - 33	B65-E7421-00	13 - 3	B65-F1721-00	16 - 5	B65-F3110-00	18 - 7		14 - 7
B65-E2170-00	4 - 1	B65-E4419-00	8 - 34	B65-E7421-10	13 - 3	2DP-F172W-00	26 - 19		18 - 23	B65-F419A-00	19 - 13
2PV-E2210-00	4 - 11	B74-E4435-00	8 - 32	2DP-E7465-00	12 - 11	BG3-F1731-00-P0	16 - 9	1FC-F3111-10	18 - 14	2DP-F4491-00	19 - 8
B65-E2213-00	4 - 12	B65-E4437-00	8 - 23	2DP-E7465-10	12 - 12	BG3-F1731-00-P2	16 - 9		18 - 30	B65-F4494-00	27 - 25
B63-E2223-00	5 - 2	4ST-E443E-00	11 - 6	2DP-E7611-00	12 - 6	BG3-F1731-00-P3	16 - 9	B65-F3123-00	18 - 47	4YY-F4610-00	19 - 10
BB8-E2226-00	3 - 11	52B-E443E-00	8 - 28	B65-E7620-00	12 - 1	5P2-F1737-00	16 - 40	B65-F3126-00	18 - 3	4YY-F4612-00	19 - 11
1LB-E2228-00	4 - 10	5TP-E443G-10	8 - 29	2DP-E7623-00	12 - 3		27 - 54	B65-F312G-00	18 - 46	B65-F465E-00	15 - 19
B65-E2231-00	4 - 8	B74-E4449-00	8 - 31	B65-E7632-00	12 - 2	B92-F1737-00	24 - 36	B65-F3136-00	18 - 19	B65-F470F-10	20 - 2
2DP-E2241-00	4 - 9	B65-E4451-00	8 - 25	B65-E7641-00	12 - 22	BG3-F173E-40	16 - 41	B63-F3141-00	18 - 13	B65-F470F-20	20 - 2

NUMERICAL INDEX

PART NO.	REF. NO.	PART NO.	REF. NO.	PART NO.	REF. NO.	PART NO.	REF. NO.	PART NO.	REF. NO.	PART NO.	REF. NO.
BG3-F471K-00-P2	16 - 25	B65-F5873-00	25 - 15	B65-F7462-00	26 - 43	1LB-H2151-00	34 - 12	40D-H396X-00	33 - 11	90111-06162	34 - 4
BG3-F471K-00-P3	16 - 25	B65-F5874-00	25 - 18	B65-F7481-00	26 - 12	B65-H2151-00	34 - 10	B65-H3973-10	33 - 1	90111-06807	9 - 3
BG3-F471K-00-P4	16 - 25	B65-F5875-00	18 - 48	B65-F7483-00	26 - 31	B65-H2151-60	34 - 9	BN1-H3975-10	33 - 5	90119-06044	15 - 10
B65-F4726-00	20 - 7	B65-F5876-00	18 - 50	B65-F7484-00	26 - 32	B65-H2151-80	34 - 11	2DP-H3980-00	25 - 13		26 - 14
2WB-F4727-00	20 - 6	B65-F587A-00	14 - 24	BG3-F7485-00	24 - 20	B65-H2310-00	35 - 3	40D-H3980-20	33 - 14		26 - 21
B65-F472J-00	20 - 26	B65-F5887-00	14 - 22	B65-F7488-00	26 - 18	B65-H2351-00	35 - 4	1PB-H4127-00	29 - 5	90119-06096	15 - 16
B65-F472K-00	16 - 27	2R6-F5916-00	22 - 14	B65-F74A8-00	27 - 26	2DP-H2370-00	35 - 6	B63-H4300-00	31 - 1	90119-068B7	19 - 2
B65-F472T-00	14 - 29	2BM-F5917-00	22 - 6	5LM-F8151-00	20 - 34	BG3-H2501-00	34 - 2	1WD-H4547-00	32 - 11	90149-05030	21 - 6
B65-F4730-10	20 - 1	2BM-F5919-00	22 - 11	1DY-F8153-00	20 - 33	BB8-H254B-00	34 - 24	B65-H4710-00	32 - 2	90149-05801	1 - 10
B65-F4730-20	20 - 1	2DP-F5920-00	22 - 13	B65-F818A-00	27 - 28	1LB-H2556-00	33 - 15	B63-H4740-00	32 - 9	90149-05804	27 - 24
B63-F4737-00	20 - 11	5YP-F5924-00	22 - 12	B65-F8227-00	27 - 30	B65-H2566-01	34 - 18	1CK-H4744-00	32 - 10	90149-08804	17 - 14
B65-F4738-00	14 - 31	5YP-F5925-01	22 - 10	B65-F8311-00	27 - 2	B65-H2568-00	34 - 5	2FC-H5111-00	17 - 12		17 - 19
B65-F473R-10	20 - 9	5YP-F5937-00	22 - 7	B65-F8321-00	27 - 8	B65-H2590-11	34 - 8		17 - 17		17 - 21
3C1-F4741-00	20 - 3	BG3-F60C1-00	24 - 37	BG3-F8351-00-P1	27 - 41	B65-H276E-01	34 - 3	55D-H5130-00	35 - 24	90150-05023	24 - 34
B65-F474A-00	20 - 25	BG3-F60C1-40	24 - 37	BG3-F8351-00-P3	27 - 41	1LB-H2911-10	33 - 6	31B-H5353-00	31 - 2	90159-06810	27 - 5
B65-F474W-00	20 - 29	B65-F6110-00	24 - 1	BG3-F8351-00-P4	27 - 41	B63-H3310-00	29 - 1	B65-H5546-00	34 - 27	90160-05012	27 - 9
1S8-F4768-00	20 - 24	1S7-F6113-00	31 - 4	B65-F8356-10	14 - 20	2CB-H3311-00	29 - 3	B65-H5752-00	19 - 6	90167-05801	16 - 10
		B65-F6143-00	24 - 26	B65-F8357-00	27 - 23	55D-H3311-00	29 - 10	2BM-H592A-10	35 - 8		16 - 13
B65-F476A-00	20 - 4	BG3-F6145-00-P1	24 - 30	B65-F8358-00	14 - 26			B63-H5930-09	36 - 1	90170-05803	3 - 10
B65-F476E-00	20 - 5	BG3-F6145-00-P3	24 - 30	B65-F835U-00	27 - 47	1VP-H3318-00	29 - 25	B63-H594A-11	35 - 1		3 - 15
B65-F4780-00	20 - 22	BG3-F6145-00-P4	24 - 30	B65-F835V-00	27 - 50	B63-H331E-00	29 - 6	B63-H5970-00	35 - 20	90170-12800	12 - 26
40D-F4780-01	27 - 20	4US-F6199-00	20 - 12	BG3-F8377-00-P1	27 - 44	B63-H3320-00	29 - 2	BB8-H6110-01	35 - 9	90170-12802	12 - 27
B65-F478E-01	20 - 21	B65-F61AA-00	24 - 33	BG3-F8377-00-P3	27 - 44	55D-H3323-00	29 - 12	B74-H6260-04	34 - 25	90179-05849	24 - 35
B65-F479D-00	20 - 32	B92-F6240-00	24 - 6	BG3-F8377-00-P4	27 - 44	55D-H3328-00	29 - 13	B74-H6261-02	34 - 26	90179-06835	24 - 25
B65-F482H-00	15 - 18	1VP-F6241-00	24 - 5	BG3-F8391-40	27 - 55			B65-H7229-01	34 - 17	90179-12004	28 - 5
B65-F5168-00-33	21 - 1	B92-F6246-00	24 - 7	BG3-F8391-50	27 - 55	55D-H332M-00	29 - 20	4C9-W0048-00	22 - 8	90179-25810	18 - 43
B65-F5168-00-P0	21 - 1	2DP-F6280-00	24 - 8	BG3-F8392-40	27 - 56	BG3-H3330-00	29 - 9	90101-06046	23 - 15	90183-04039	15 - 13
2DP-F517G-00	21 - 5	54P-F6281-01	24 - 16	BG3-F8392-50	27 - 56	55D-H3333-00	29 - 15	90105-088E3	14 - 18	90183-05801	30 - 5
B65-F5181-00	21 - 10	54P-F6282-00	24 - 17	BG3-F8393-40	27 - 57			90105-10283	14 - 14	90183-05807	14 - 32
5BP-F530K-20	23 - 8	2DP-F6290-00	24 - 9	BG3-F8394-20	27 - 58	55D-H333A-00	29 - 11	90105-10831	22 - 15		15 - 12
54P-F5326-00	23 - 5	B65-F6301-00	24 - 10	BG3-F8398-20	27 - 59	BG3-H333E-00	29 - 14	90105-10896	24 - 3		15 - 17
B65-F5336-00	23 - 4	B65-F6351-00	24 - 19	BG3-F839A-10	27 - 60	BG3-H3340-00	29 - 17	90109-06220	15 - 4		16 - 3
B65-F5338-00-33	23 - 1	B65-F637G-00	24 - 21	5P2-F839B-00	27 - 53	55D-H334A-00	29 - 19		15 - 15		16 - 7
B65-F5338-00-P0	23 - 1	B65-F7111-00	26 - 1	BG3-F839E-10	27 - 61	BG3-H334E-00	29 - 22		16 - 4		16 - 11
5LW-F533A-00	23 - 13	2PH-F7112-00	26 - 2	BG3-F839F-00	27 - 60	1PA-H3350-00	35 - 15		16 - 8		16 - 14
B65-F5351-00	23 - 11	5P2-F7114-00	14 - 16	BG3-F839F-10	27 - 60	55D-H3358-00	29 - 16		16 - 31		20 - 14
B65-F5355-00	23 - 12	54P-F7121-00	10 - 3	BG3-F839G-00	27 - 61				20 - 15		20 - 19
2BM-F5802-00	22 - 4	5VW-F7214-00	26 - 4	BG3-F839G-10	27 - 61	2DP-H3371-00	35 - 16		26 - 15		24 - 2
5YP-F5803-50	22 - 5			B65-F842M-00	27 - 16	B65-H3378-00	35 - 18		26 - 22		24 - 27
B63-F5805-00	22 - 9	B65-F7217-00	26 - 8	B65-F842N-00	27 - 37	B3F-H3383-00	34 - 28		31 - 6		24 - 31
1WD-F5807-00	25 - 2	5LW-F7254-00	26 - 6	B63-H1410-00	28 - 2	B65-H3500-21	30 - 1	90109-06577	25 - 9		26 - 17
B63-F580U-00	22 - 3	B65-F7311-00	26 - 7	B63-H1450-00	28 - 1	54P-H3591-00	35 - 13	90109-06814	33 - 12		26 - 24
2DP-F582U-00	22 - 1	B65-F7426-00	27 - 33	2DP-H1847-00	35 - 10	1LB-H3912-00	33 - 7	90109-068A4	15 - 5		26 - 27
B63-F5852-00	25 - 3	B65-F7430-00	26 - 33	2DP-H1861-00	35 - 12	2PV-H3922-00	25 - 8	90109-08232	22 - 2		26 - 30
2ND-F5854-00	25 - 5	B65-F7431-00	26 - 34	2PH-H1940-01	34 - 23	1LB-H3935-00	33 - 8	90110-06378	1 - 24		27 - 6
2ND-F5855-00	25 - 7	B65-F7440-00	26 - 41	B63-H1950-00	34 - 22	5TL-H3955-20	33 - 2	90110-06846	8 - 20		27 - 10
5TL-F5867-11	25 - 11	B65-F7441-00	26 - 42	BC1-H2100-00	34 - 1	40D-H3962-00	33 - 10	90110-06880	28 - 3		27 - 19
B63-F5870-00	25 - 1	B65-F7452-00	26 - 35	B65-H2129-00	20 - 18	1LB-H3967-00	33 - 9	90110-06881	34 - 21		27 - 32

NUMERICAL INDEX

PART NO.	REF. NO.	PART NO.	REF. NO.	PART NO.	REF. NO.	PART NO.	REF. NO.	PART NO.	REF. NO.	PART NO.	REF. NO.
90183-05807	27 - 36	90388-10808	10 - 4	90506-15001	23 - 10	93102-24802	10 - 21	95022-06030	10 - 25	97702-40612	29 - 4
	27 - 39	90388-10818	14 - 9	90506-20818	26 - 10	93102-32807	13 - 8	95022-06035	11 - 4	97702-50016	30 - 2
	27 - 43	90401-10812	25 - 16	90506-40804	26 - 5	93106-20816	21 - 3	95022-06045	6 - 22	97707-40012	30 - 3
	27 - 46		25 - 19	90520-02005	27 - 35	93106-28801	17 - 3	95022-06060	10 - 7	97707-50012	27 - 31
	27 - 49	90430-06014	1 - 5	90520-02014	31 - 3	93106-28813	17 - 6	95022-06110	10 - 8	97707-50016	14 - 30
	27 - 52		1 - 28	90520-02829	14 - 4	93210-07802	23 - 7	95022-08045	10 - 29		15 - 8
	32 - 7		5 - 9		16 - 30	93210-09806	4 - 2	95027-06020	5 - 8		16 - 2
90183-06800	15 - 11	90430-08119	10 - 13		19 - 3	93210-14816	10 - 17	95302-08600	1 - 16		16 - 6
	15 - 22	90430-10804	35 - 14	90520-03831	27 - 14	93210-19809	5 - 13		17 - 15		16 - 16
90183-06818	15 - 3	90445-05004	32 - 13	90520-04806	20 - 10	93210-29800	7 - 6		17 - 20		16 - 19
90185-10011	24 - 4	90450-43805	8 - 39	90520-05815	14 - 33	93210-39803	5 - 11	95602-06100	25 - 10		16 - 22
90185-16800	23 - 16	90464-07805	16 - 39	90520-06810	27 - 27	93211-28800	10 - 22	95602-08200	14 - 19		16 - 24
90201-04803	30 - 4	90464-07807	24 - 15	90520-08803	14 - 5	93306-000Y3	5 - 7	95602-10200	14 - 13		16 - 26
90201-08859	1 - 17	90464-10802	24 - 13	90520-10826	6 - 18	93306-001X9	4 - 3		14 - 15		16 - 28
90201-10118	25 - 17	90464-13249	34 - 15	90520-10827	6 - 19	93306-204XW	13 - 10		21 - 11		20 - 16
	25 - 20		34 - 19	90520-10832	8 - 38	93306-252YR	12 - 28		26 - 9		20 - 20
90201-12688	28 - 4	90464-14803	35 - 22	90520-10834	14 - 34	93306-255X5	13 - 7	95607-06100	33 - 13		24 - 28
90201-163G6	12 - 24	90464-14809	35 - 5		32 - 3	93306-300YF	21 - 4	95612-08618	1 - 6		24 - 32
90201-16819	12 - 23	90464-14810	35 - 23	90520-10839	27 - 3	93306-302YP	13 - 2	95702-05500	17 - 13		26 - 16
90202-26142	18 - 44	90464-15804	29 - 8	90520-10844	6 - 20	93306-303YT	13 - 6		17 - 18		26 - 23
90206-14093	23 - 14	90464-16006	24 - 14	90520-10845	6 - 21	93306-303YV	17 - 4	95702-06500	20 - 8		27 - 7
90208-12808	12 - 25		32 - 14	90520-15811	8 - 37	93306-351Y5	13 - 12	95702-08500	9 - 5		27 - 12
90249-12008	24 - 24	90464-50800	32 - 1	91312-05010	19 - 9	93310-528YK	2 - 3	95702-10500	23 - 6		27 - 18
90269-06816	15 - 7		32 - 15		24 - 12	93450-16115	2 - 8	95812-10045	9 - 6		27 - 38
	16 - 17		34 - 16	91312-05016	3 - 17	93501-04830	26 - 37	95812-10060	9 - 7		27 - 48
	16 - 20		34 - 20	91312-06020	4 - 13		26 - 45	95817-06020	36 - 4		27 - 51
	24 - 29	90467-08003	16 - 36	91312-06025	8 - 4	93900-00828	21 - 8	95D02-06012	16 - 38		29 - 7
	26 - 26	90467-10008	10 - 32	91312-06055	8 - 3		23 - 3		18 - 49		31 - 5
	26 - 29	90467-11106	11 - 7	91317-06016	19 - 14	94111-14804	21 - 7		18 - 51		32 - 8
	27 - 17	90467-11825	8 - 41	91317-06020	33 - 17	94114-14801	23 - 2		35 - 17		33 - 4
	27 - 42		10 - 33	91317-06025	25 - 12	94568-F9096	4 - 7		35 - 19		34 - 6
	27 - 45	90467-12052	8 - 42	91401-25015	26 - 39	94700-00415	1 - 20	95D32-06010	14 - 27		34 - 29
	34 - 7	90467-12809	8 - 30		26 - 47	94700-00870	1 - 20	95D32-06016	6 - 26	97707-50025	8 - 27
90280-03017	2 - 5	90467-19803	6 - 12	91701-08035	26 - 38	95022-06010	1 - 4		35 - 11	98502-05010	33 - 16
90340-12808	10 - 10		6 - 13		26 - 46		1 - 27		35 - 21	98502-05020	7 - 2
90340-12813	1 - 3	90467-20806	6 - 11	91810-14809	1 - 22		20 - 23	95D32-06020	32 - 6	98502-05025	24 - 18
90380-10803	12 - 29	90467-22802	8 - 35		1 - 23	95022-06012	10 - 19		35 - 2	98502-06012	8 - 16
90387-068G3	32 - 5	90480-01559	26 - 13		10 - 6		24 - 22	95D32-06025	20 - 27	98907-04014	32 - 12
90387-068N8	36 - 3		26 - 20		10 - 23		27 - 22		20 - 30	99002-09600	26 - 3
90387-08821	14 - 17	90480-14808	16 - 32		10 - 28		34 - 14	95D32-06030	6 - 10	99009-10400	5 - 6
90387-08823	6 - 8	90480-14816	36 - 2		11 - 3	95022-06014	3 - 19		8 - 13	99009-25400	13 - 5
90387-08840	20 - 28	90480-14823	32 - 4	92012-05016	24 - 11	95022-06020	6 - 3		8 - 36	99009-35700	12 - 30
	20 - 31	90480-14833	6 - 9	92012-06010	14 - 23		6 - 24	95D32-08020	26 - 40	99009-47500	17 - 7
		90501-12743	26 - 36		14 - 25		10 - 24		26 - 48	99231-00080	27 - 62
90387-10277	21 - 9		26 - 44	92012-08012	14 - 21		15 - 21	95D32-08035	10 - 12	99234-00080	27 - 62
90387-10848	21 - 2		7 - 5	93102-08800	1 - 14		35 - 7	95D32-10060	17 - 9	99480-03012	10 - 2
90387-10857	14 - 10	90501-16004	24 - 23	93102-20815	13 - 11	95022-06025	5 - 12	97602-04312	25 - 14	99530-08012	1 - 12
90387-17807	17 - 5	90506-12001	23 - 9	93102-22829	10 - 9	95022-06030	1 - 11	97602-05216	33 - 3		5 - 10